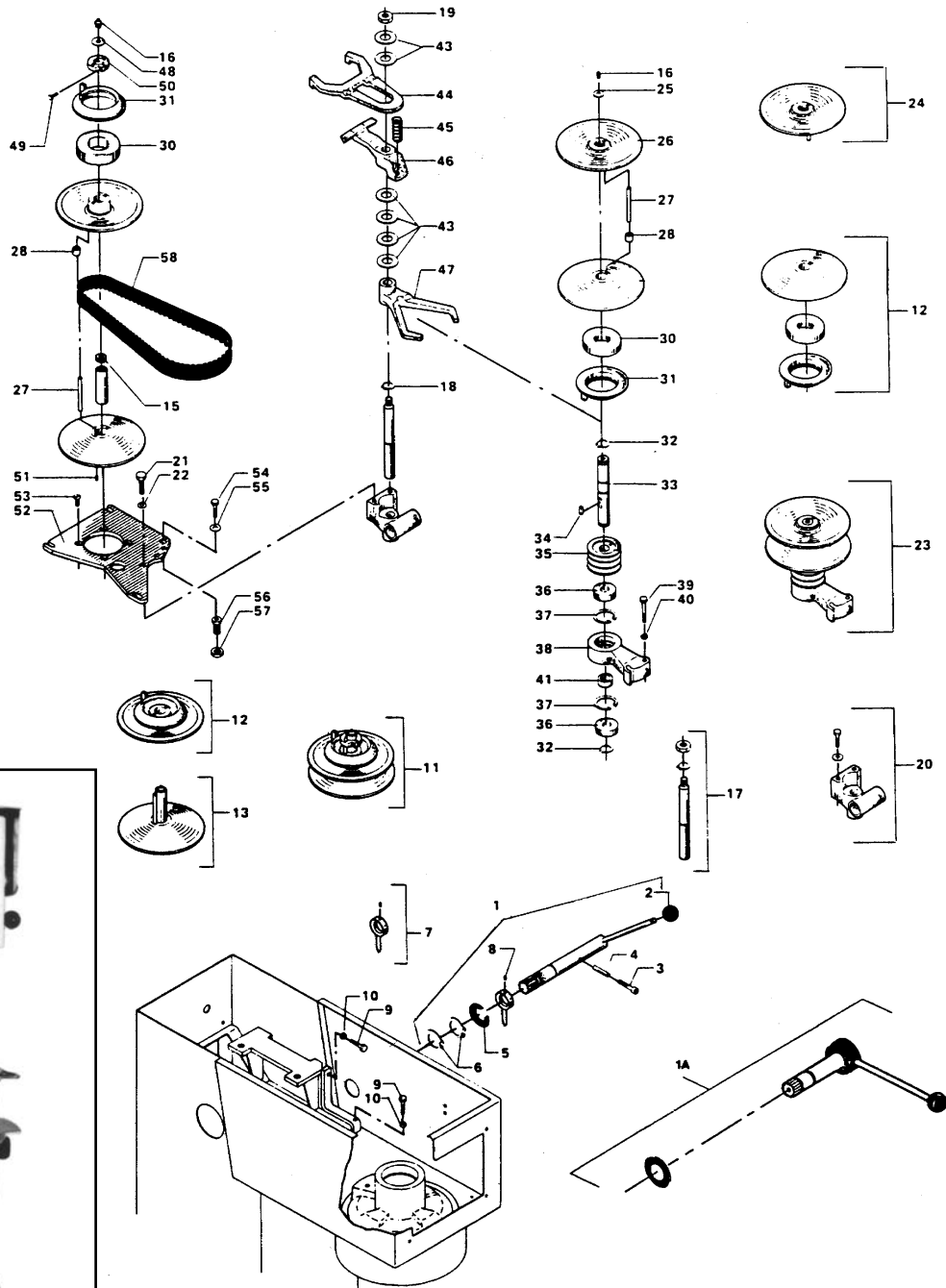


Food Mixer



(Illustration on page 619.)

Transmission

| ITEM NO. | DESCRIPTION | W 30 A | W 40 | PART NO. W 40 P | W 60 A | W 80 |
|----------|--------------------------------------|-----------------------------|----------|--------------------|----------|----------|
| 1 | Speed Selector Lever Assembly | 27.47M | 27.47M | 27.47M | 60-47M | 60-47M |
| 1A | New Speed Selector Lever Assembly | 30N-47M | 40N-47M | 40N-47M | 60N-47M | 80N-47M |
| 2 | Knob | STA3306 | STA3306 | STA3306 | STA3306 | STA3306 |
| 3 | Screw M8 x 40 | STA5636 | STA5636 | STA5636 | STA5636 | STA5636 |
| 4 | Tube | 20-310 | 20-310 | 20-310 | 20-310 | 20-310 |
| 5 | Rubber Ring f/47 | 15-210 | 15-210 | 15-210 | 15-210 | 15-210 |
| 6 | Circlip 30U | STA3414 | STA3414 | STA3414 | STA3414 | STA3414 |
| 7 | Arrow for Speed Indicator Assembly | 20-170M | 20-170M | 20-170M | 20-170M | 20-170M |
| 8 | Screw M6 x 6 SS | STA5607 | STA5607 | STA5607 | STA5607 | STA5607 |
| 9 | Screw M8 x 40 | STA5450 | STA5450 | STA5450 | STA5450 | STA5450 |
| 10 | Nut MB | STA5827 | STA5827 | STA5827 | STA5827 | STA5827 |
| 11 | Motor Pulley Set | 15-59M | 15-59M | 15-59M | 60-59M | 60-59M |
| 12 | Pulley Moveable, Assembly | 15-15M | 15-15M | 15-15M | 60-15M | 60-15M |
| 13 | Pulley Assembly | 15-13.1M | 15-13.1M | 15-13.1M | 60-13.1M | 60-13.1M |
| 14 | Motor Pulley Shaft Assembly | " N o t A v a i l a b l e " | | | | |
| 15 | Thread Nipple | 15-156 | 15-156 | 15-156 | 15-156 | 15-156 |
| 16 | Grease Nipple | STA3220 | STA3220 | STA3220 | STA3220 | STA3220 |
| 17 | Toothed Rack Assembly | 15-46M | 15-46M | 15-46M | 15-46M | 15-46M |
| 18 | Circlip 19U | STA3407 | STA3407 | STA3407 | STA3407 | STA3407 |
| 19 | Nut M16 | STA5815 | STA5815 | STA5815 | STA5815 | STA5815 |
| 20 | Bearing Bracket Assembly | 15-18M | 15-18M | 15-18M | 15-18M | 15-18M |
| 21 | Screw M10 x 30 | STA5345 | STA5345 | STA5345 | STA5345 | STA5345 |
| 22 | Washer 20 x 10 x 2/5 | STA6026 | STA6026 | STA6026 | STA6026 | STA6026 |
| 23 | Arm for Bearing Assembly With Pulley | 30-6M | 30-6M | 40P-6M | 60-6M | 100-6M |
| 24 | Pulley Assembly | 15-13M | 15-13M | 15-13M | 60-13M | 60-13M |
| 25 | Washer 7/16 | STA6021 | STA6021 | STA6021 | STA6021 | STA6021 |
| 26 | Pulley | 15-13 | 15-13 | 15-13 | 60-13 | 60-13 |
| 27 | Pin | 30-285 | 30-285 | 30-285 | 60-285 | 60-285 |
| 28 | Bearing Bush | STA2505 | STA2505 | STA2505 | STA2505 | STA2505 |
| 29 | Pulley, Moveable | " S e e I t e m N o . 1 2 " | | | | |
| 30 | Ball Bearing f/15 6010 2RS1 | 15-103 | 15-103 | 15-103 | 15-103 | 15-103 |
| 31 | Varispeed Collar | 15-17 | 15-17 | 15-17 | 15-17 | 15-17 |
| 32 | Circlip 25U | STA3410 | STA3410 | STA3410 | STA3410 | STA3410 |
| 33 | Bearing Shaft | 15-41 | 15-41 | 15-41 | 60-41 | 100-41 |
| 34 | Key B6 x 6 x 22 | STA2022 | STA2022 | STA2022 | STA2022 | STA2022 |
| 35 | Standard V-Belt Pulley/Tooth Pulley | 27-128 | 27-128 | 40P-128 | 60-128 | 60-128 |
| 36 | Ball Bearing f/41 n 6205 2RS1C3 | 27-102 | 27-102 | 27-102 | 27-102 | 27-102 |
| 37 | Circlip 521 | STA3514 | STA3514 | STA3514 | STA3514 | STA3514 |

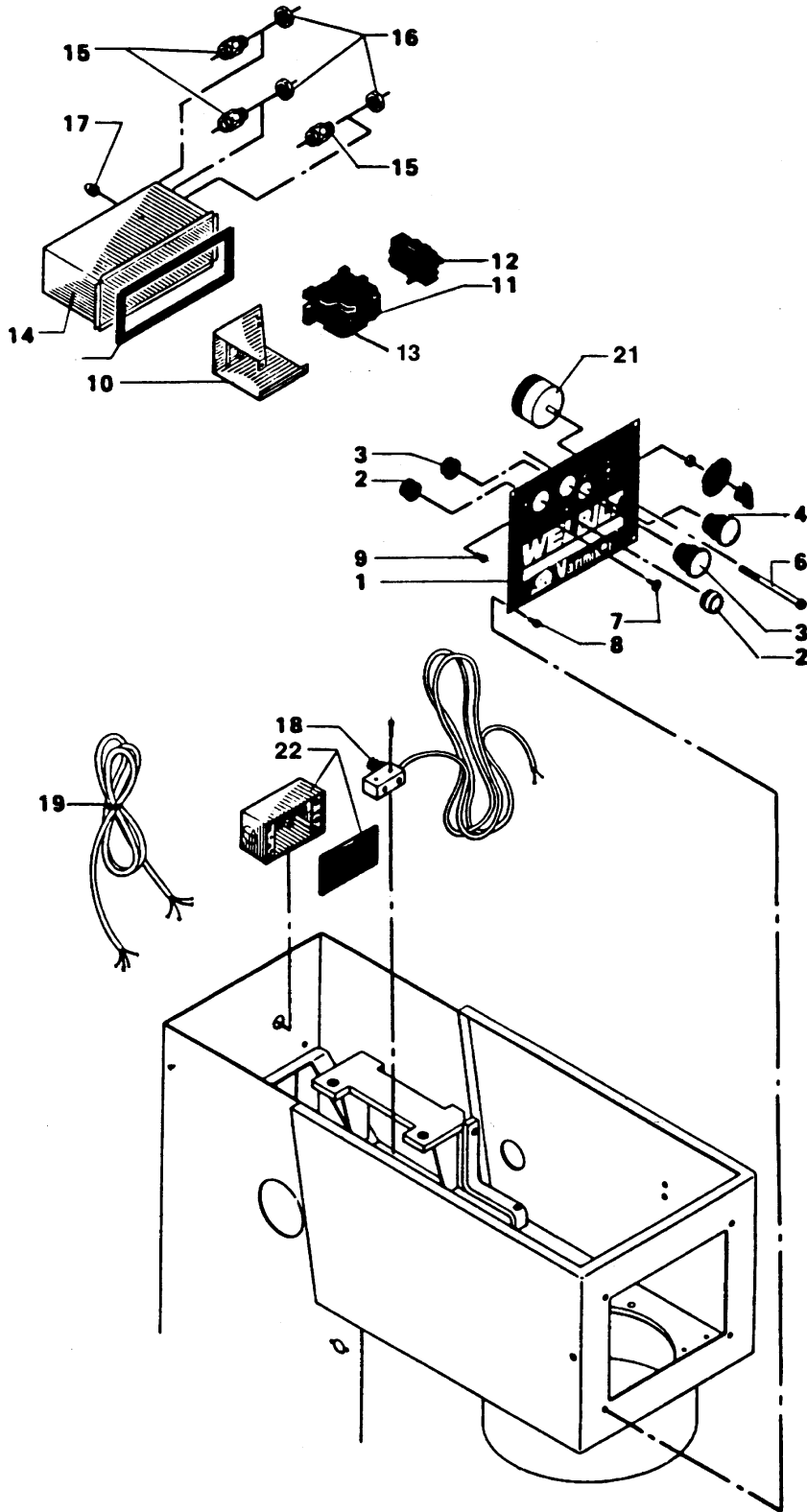
| ITEM NO. | DESCRIPTION | PART NO. | | | | |
|----------|------------------------------|----------|---------|---------|---------|---------|
| | | W 30 A | W 40 | W 40 P | W 60 A | W 80 |
| 38 | Arm for Bearing | 30-6 | 30-6 | 30-6 | 30-6 | 100-6 |
| 39 | Screw M10 x 55 | STA3348 | STA3348 | STA3348 | STA5348 | STA5348 |
| 40 | Washer 10mm | STA6025 | STA6025 | STA6025 | STA6025 | STA6025 |
| 41 | Distance Tube | 15-143 | 15-143 | 15-143 | 15-143 | 100-143 |
| 43 | Washer | STA6040 | STA6040 | STA6040 | STA6040 | STA6040 |
| 44 | Fork for Belt Tightener | 20-19 | 20-19 | 20-19 | 20-19 | 20-16 |
| 45 | Spring for Tightening V-Belt | 20-275 | 20-275 | 40P-275 | 20-275 | 20-275 |
| 46 | Support Bracket | 20-26 | 20-26 | 20-26 | 20-26 | 20-26 |
| 47 | Lower Fork | 27-16 | 27-16 | 27-16 | 27-16 | 27-16 |
| 48 | Washer 40 x 13 x 3 | STA6018 | STA6018 | STA6018 | STA6018 | STA6018 |
| 49 | Screw M5 x 20 | STA5612 | STA5612 | STA5612 | STA5612 | STA5612 |
| 50 | Clamping Ring | 27-227 | 27-227 | 27-227 | 27-227 | 27-227 |
| 51 | Screw M5 x 10 | STA5602 | STA5602 | STA5602 | STA5602 | STA5602 |
| 52 | Base for Motor | 60-61 | 60-61 | 60-61 | 60-61 | 60-61 |
| 53 | Screw M8 x 20 | STA5018 | STA5018 | STA5018 | STA5018 | STA5018 |
| 54 | Screw M8 x 25 | STA5433 | STA5433 | STA5433 | STA5433 | STA5433 |
| 55 | Washer 20 x 10 x 25 | STA6026 | STA6026 | STA6026 | STA6026 | STA6026 |
| 56 | Threaded Bushing | 20-148 | 20-148 | 20-148 | 20-148 | 20-148 |
| 57 | Nut M16 | STA5815 | STA5815 | STA5815 | STA5815 | STA5815 |
| 58 | Special V-Belt | 27-91 | 27-91 | 27-91 | 60-91 | 60-91 |



NO MINIMUMS.

That's right! Whaley Foodservice Repairs has no minimum order requirement. Call us at **(800) 877-2662** to place your order or fax the order to **(888) 877-2660**.





Electric Systems Components

► NOTE: When Ordering Parts, Please Specify Machine Type And Serial Number.

| ITEM NO. | DESCRIPTION | W 30 A | W 40 | PART NO. W 40 P | W 60 A | W 80 |
|----------|---|------------|------------|--------------------|------------|------------|
| 1 | Instrument Panel | 27-149 | 27-149 | 27-149 | 27-149 | 27-149 |
| 2 | On Button Assembly | 30-174 | 30-174 | 30-174 | 30-174 | 30-174 |
| 3 | Off Button Assembly | 30-175 | 30-175 | 30-175 | 30-175 | 30-175 |
| 4 | Pilot Light Assembly | 27-186 | 27-186 | 27-186 | 27-186 | 27-186 |
| 6 | Screw M6 x 12735 Fil. Hd. | STA5275 | STA5275 | STA5275 | STA5275 | STA5275 |
| 7 | Plug Button | STA6130 | STA6130 | STA6130 | STA6130 | STA6130 |
| 8 | Screw M6 x 10 Fil. Hd. SS | STA5080 | STA5080 | STA5080 | STA5080 | STA5080 |
| 9 | Screw M4 x 8 Fil. Hd. | STA5121 | STA5121 | STA5121 | STA5121 | STA5121 |
| 10 | Contacto Bracket | 27-151 | 27-151 | 27-151 | 27-151 | 27-151 |
| 11 | Contacto CI 9 (3 phase) | 20-88.4 | 20-88.4 | 20-88.4 | 20-88.4 | 100-88.5 |
| 11A | Contacto CI 16 (1 phase) | 100-88.5 | 100-88.5 | 100-88.5 | 100-88.5 | 100-88.5 |
| 12 | Thermal Overload Relay 6-9.2 Amp (3 phase) | 20-88.22 | 20-88.22 | 20-88.22 | 20-88.22 | 20-88.24 |
| 12A | Thermal Overload Relay 11-16 Amp, Trip Setting 14.6 Amp (1 phase) | 20-88.24 | 20-88.24 | 20-88.24 | 20-88.24 | 20-88.24 |
| 13 | Auxiliary Switch for Contacto | 20-88.45 | 20-88.45 | 20-88.45 | 20-88.45 | 20-88.45 |
| 14 | Cover | 27-152 | 27-152 | 27-152 | 27-152 | 27-152 |
| 15 | Cable Inlet PG 11 | STA3000 | STA3000 | STA3000 | STA3000 | STA3000 |
| 16 | Nut PG 11 | STA3010 | STA3010 | STA3010 | STA3010 | STA3010 |
| 17 | Capnut | STA5823 | STA5823 | STA5823 | STA5823 | STA5823 |
| 18 | Microswitch With Cable | 27-172 | 27-172 | 27-172 | 27-172 | 27-172 |
| 19 | Supply Cable for 3-Phase Motor | 20-194.15 | 20-194.15 | 20-194.15 | 20-194.15 | 20-194.15 |
| 20 | Cable for 3-Phase Motor | 20-194.02 | 20-194.02 | 20-194.02 | 20-194.02 | 20-194.02 |
| 21 | Timer (60-Minute) Mechanical | 27-188.1 | 27-188.1 | 27-188.1 | 27-188.1 | 27-188.1 |
| | Timer (15-Minute) Electric | 30-188.15F | 30-188.15F | 30-188.15F | 30-188.15F | 30-188.15F |
| 22 | Terminal Box, UL Listed | 30-192 | 30-192 | 30-192 | 30-192 | 30-192 |

REMEMBER...

The parts you see here are just a sample of what we carry!