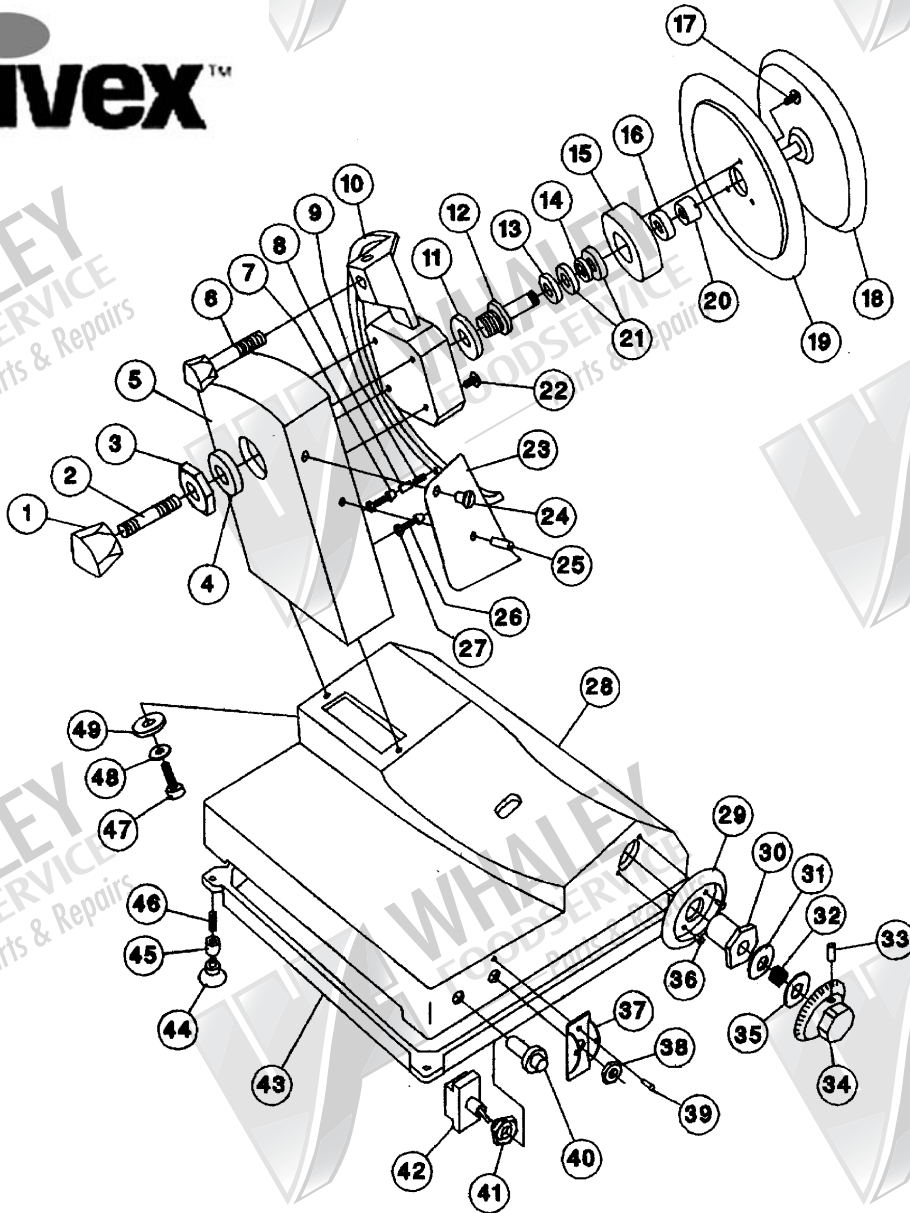


7510/7512 Slicer

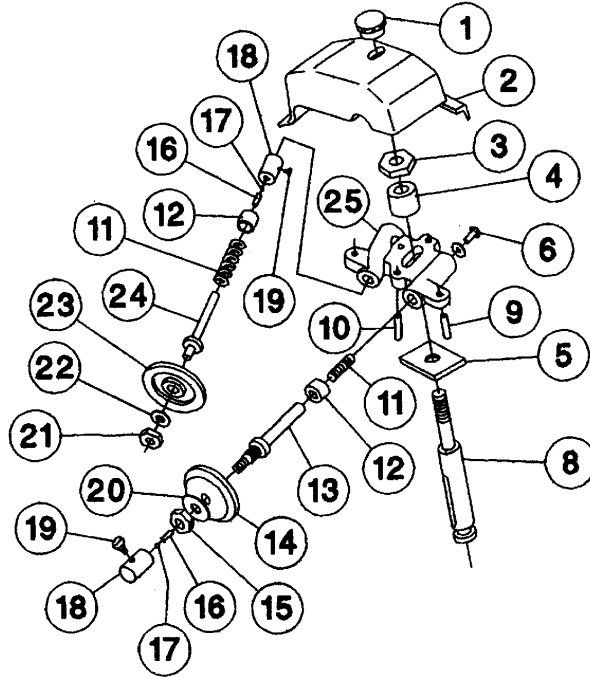


**MILLIONS IN INVENTORY!
CALL NOW (800) 877-2662**

Base and Knife Housing Assembly

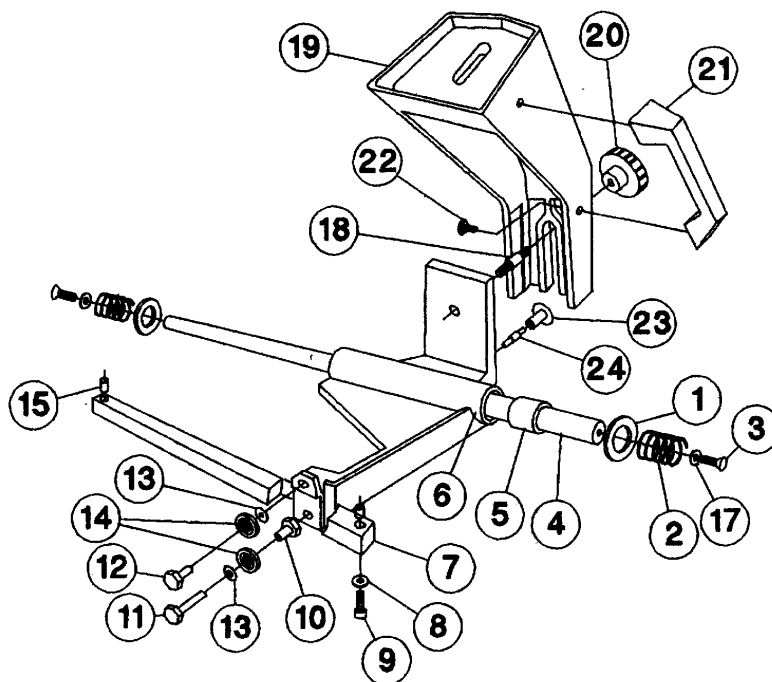
ITEM NO.	PART NO.	DESCRIPTION
1	7510015	Knob, Knife Guard
2	7510014	Shaft, Knife Guard
3	7510013	Nut Knife
4	7510012	Washer, Knife
5	7610012	Back Knife Guard (Model 7510)
	7612012	Back Knife Guard (Model 7512)
6	7510150	Lock Pin Sharpener
7	7610023	Skirt (2 qty.)
8	7610024	Standoff (2 qty.)
9	7120129	Set Screw, M6 — 1.0 x 20 (2 qty.)
10	7610013	Protective Guard, 7510
	7612013	Protective Guard, 7512
11	7510156	Washer, Knife Shim (As Required)
12	7610019	Shaft, Knife
13	1200118	Retaining Ring
14	7610025	Spacer
15	7610014	Pulley, Knife (Model 7510)
	7612014	Pulley, Knife (Model 7512)
16	6509012	Seal, Knife (7510)
	8512227	Seal, Knife (7512)
17	6509014	Screw, Blade (7510) (3 qty.)
	6509014	Screw, Blade (7512) (4 qty.)
18	7610017	Knife, Guard (7510)
	8612009	Knife, Guard (7512)
19	7610018	Blade (7510)
	8512228	Blade (7512)
20	7610020	Insert, Knife (7510)
	8512226	Insert, Knife (7512)
21	1012167	Ball Bearing (2 qty.)
22	8512735	Screw, SHCS, M5 x .7 x 25 (4 qty.)
23	7610015	Knife Deflector (7510)
	7612015	Knife Deflector (7512)
24	7510023	Knife Deflector Screw

ITEM NO.	PART NO.	DESCRIPTION
25	8512206	Locating Pin
26	1204045	Set Screw, M6 x 1.0 x 30 (2 qty.)
27	6509074	Nut, Hex M6 x 1.0 (2 qty.)
28	7610011	Slicer Body
25	8512206	Locating Pin
26	1204045	Set Screw, M6 x 1.0 x 30 (2 qty.)
27	6509074	Nut, Hex M6 x 1.0 (2 qty.)
28	7610011	Slicer Body
29	8512208	Graduated Knob Bushing
30	7610026	Bushing
31	6509086	Washer, Belleville
32	7510337	Spring
33	8512214	Set Screw (2 qty.)
34	7510084	Graduated Knob
35	1204046	Washer, Flat
36	8512209	Rivet (2 qty.)
37	7120011	Switch Guard
38	7120009	Switch Jam Nut (Part of Switch)
39	4400081	Screw, Dome Drive, #6 x 5/16
40	7120014	Indicator Light, 115V
	7120041	Indicator Light, 220V
41	7120009	Switch Jam Nut (Part of Switch)
42	7120009	Switch, On-Off
43	7120026	Bottom Cover
	7120126	Bottom Cover, 100V Only
44	7510094	Feet, Rubber Suction (4 qty.)
45	7120130	Spacer, 100V Only (4 qty.)
46	8512326	Stud, 100V Only (4 qty.)
47	7510020	Screw, HSHD M10-1.25 x 25 (2 qty.)
48	8512525	Washer, Lock Ext. Tooth M10 (2 qty.)
49	7510021	Washer, Flat (2 qty.)
	4400338	Label, Duro



Sharpener Assembly

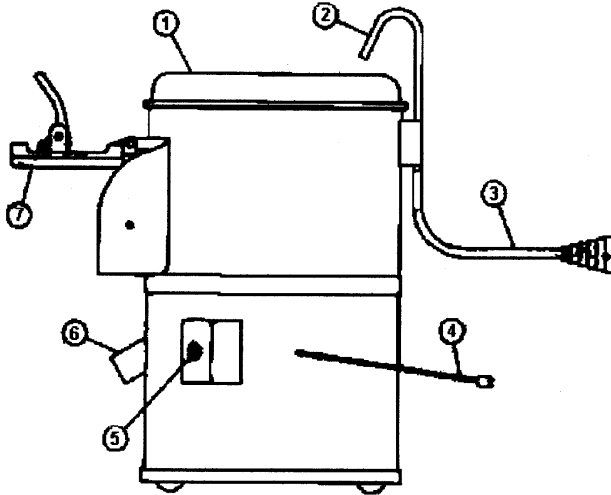
ITEM NO.	PART NO.	DESCRIPTION	ITEM NO.	PART NO.	DESCRIPTION
	7510151A	Sharpener Assembly with Cover	13	6509129	Stud, Honing Stone
1	6509153	Knob, Cover	14	6509130	Stone, Honing
2	6509151	Cover, Sharpener	15	6509131	Nut
3	6509150	Nut, Cover Spacer	16	6509134	Spring (2 qty.)
4	6509149	Spacer, Cover	17	6509133	Ball (2 qty.)
5	6509125	Washer, Set Pin	18	6509135	Button, Depress (2 qty.)
6	6509137	Screw	19	6509136	Set Screw, Depress Button (2 qty.)
8	7510120	Set Pin, Sharpener	20	6509132	Washer, Honing Stone
9	8512728	Pin, Sharpener Casting (2 qty.)	21	6509143	Nut, Sharpening Stone
10	6509147	Bolt, Sharpener Guide (2 qty.)	22	8512516	Washer, Sharpening Stone
11	6509127	Spring (2 qty.)	23	6509142	Stone, Sharpening
12	6509128	Bushing (2 qty.)	24	6509141	Stud, Sharpening Stone
			25	6509126A	Mount, Stone



Carriage Arm and Slide Assembly

ITEM NO.	PART NO.	DESCRIPTION	ITEM NO.	PART NO.	DESCRIPTION
1	6509036	Washer, Slide Bar Rubber (2 qty.)	11	1053510	Screw, Cap M6-1.0 x 25mm Hex Head
2	7510337	Spring, Slide Bar (7512 Only) (2 qty.)	12	8512308	Screw, Bearing Locking
	6509035	Spring, Slide Bar (7510 Only) (2 qty.)	13	6509028	Washer, M8 (2 qty.)
3	6509038	Screw, M5-0.8 x 6 mm FL Head Slotted (2 qty.)	14	6509031	Bearing (2 qty.)
4	7510434	Bar, Carriage Slide	15	7610027	Spacer (2 qty.)
5	7510326	Bushing, Carriage Arm (2 qty.)	17	6509037	Washer (2 qty.)
NOTE: Item number 5 cannot be purchased separately; it is part of item number 6, 7510325.			18	6509042	Bolt, Carriage
6	7510325	Support, Carriage Arm	19	7610021	Carriage Arm
7	7510339	Slide, Carriage	20	6509044	Knob, Carriage Arm
8	6509041	Washer, Carriage Slide (2 qty.)	21	6509045	Handle, Carriage Arm
9	1204044	Screw, SHCS M6-1.0 x 45 (2 qty.)	22	6509046	Screw, Carriage Arm Handle (2 qty.)
10	9512299	Bushing Eccentric	23	8512325	Anchor, Carriage
			24	8512326	Stud, Carriage Anchor

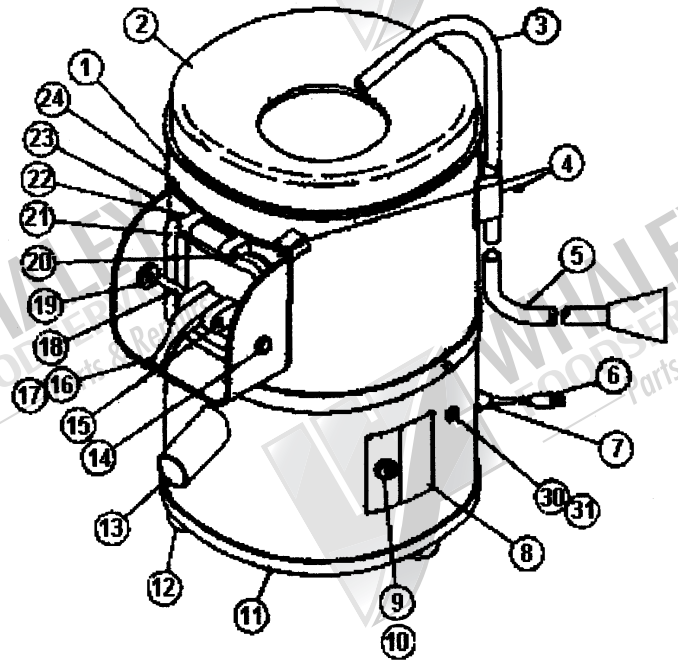
G Peeler



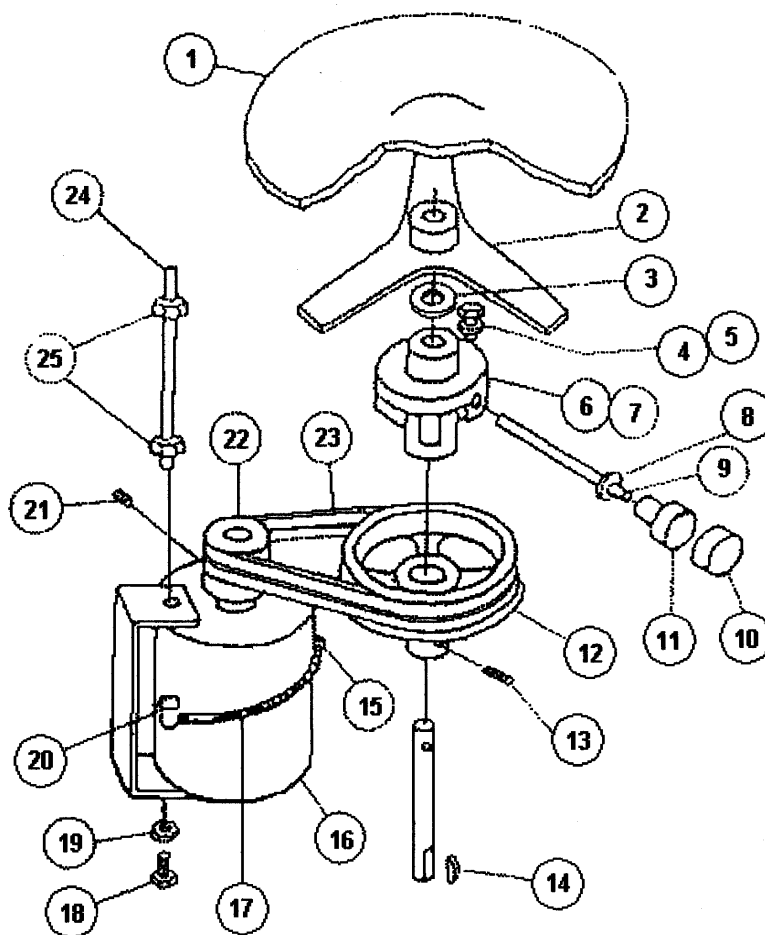
ITEM NO.	DESCRIPTION
1	Cover
2	Water Inlet Tube
3	Flexible Hose
4	Electrical Cord
5	Timer Knob
6	Drain Outlet
7	Discharge Door

Housing Assembly

ITEM NO.	PART NO.	DESCRIPTION
1	1120044	Housing
2	1120029	Cover
3	1120038	Tube — Water Inlet
4	1200008	Screw, PHD 8-21 x 3/8 (11 qty.)
5	1120019	Hose, Water Inlet
6	1120060	Cord, Electrical, 115V, w/Plug
	1120060-1	Cord, Electrical, 220/230V, w/o Plug
7	1012048	Strain Relief Cord
8	2200016	Label, Timer
9	1120020	Timer, 5 Min., 1 Pol., 115V
	1120020A	Timer, 5 Min., 2 Pol., 220/230V
10	1120050	Knob, Timer
11	1120061	Cover, Bottom
12	1320093	Feet, Rubber (3 qty.)
13	1120036	Hose, Drain
14	4400155	Screw, Hex. HD 1/4–20 x 12 (2 qty.)
15	1120040	Pin, Discharge Door
16	1120028	Handle, Discharge Door
17	4400154	Set Screw, Hex 10–32 x 1/4
18	1120039	Bar, Latch
19	1120041	Stop Door (2 qty.)
20	1120042	Pin, Hinge



ITEM NO.	PART NO.	DESCRIPTION
21	1120027	Door Discharge
22	1120022	Seal, Discharge Door, 2 Feet
23	1120026	Housing, Discharge
24	120023	Gasket, Housing Chute



Drive Assembly

ITEM NO.	PART NO.	DESCRIPTION	ITEM NO.	PART NO.	DESCRIPTION
1	11220002	Disc, Peeling	14	1200113	Key, Woodruff #9
2	1120114	Disc, Drive Peeling Assembly	15	2200021	Tab, Tension Spring 115V
3	1000517	Bearing, Thrust	16	6090012	Motor, 1/3 HP, 100-120V, 200-240V, 50/60 Hz, 1 PH
4	4400179	Screw, Hex HD 3/8-24 x 3/4 (3 qty.)	17	1120017	Spring, Belt Tension
5	1200079	Lockwasher, 3/8 SS (3 qty.)	18	1120224	Stud, Pivot Rod
6	1120003	Gasket, Bearing	19	4400083	Nut, Jam 3/8-24
7	1120214	Bearing, Housing	20	1120047	Tab, Belt Tension
8	4400127	Washer, 3/8	21	8900031	Set Screw, 10-2 x 1/2
9	1120006	Tube, Grease Intake	22	1120011	Pulley, Drive
10	1120007	Cup, Grease	23	1120025	Belt (2 qty.)
11	2200002	Cone, Grease Cup	24	1120225	Rod, Motor Pivot
12	1120009	Pulley, Driven	25	1200060	Nut, Hex HD 10-32 (2 qty.)
13	4400174	Set Screw, 5/16-24 x 1/4			