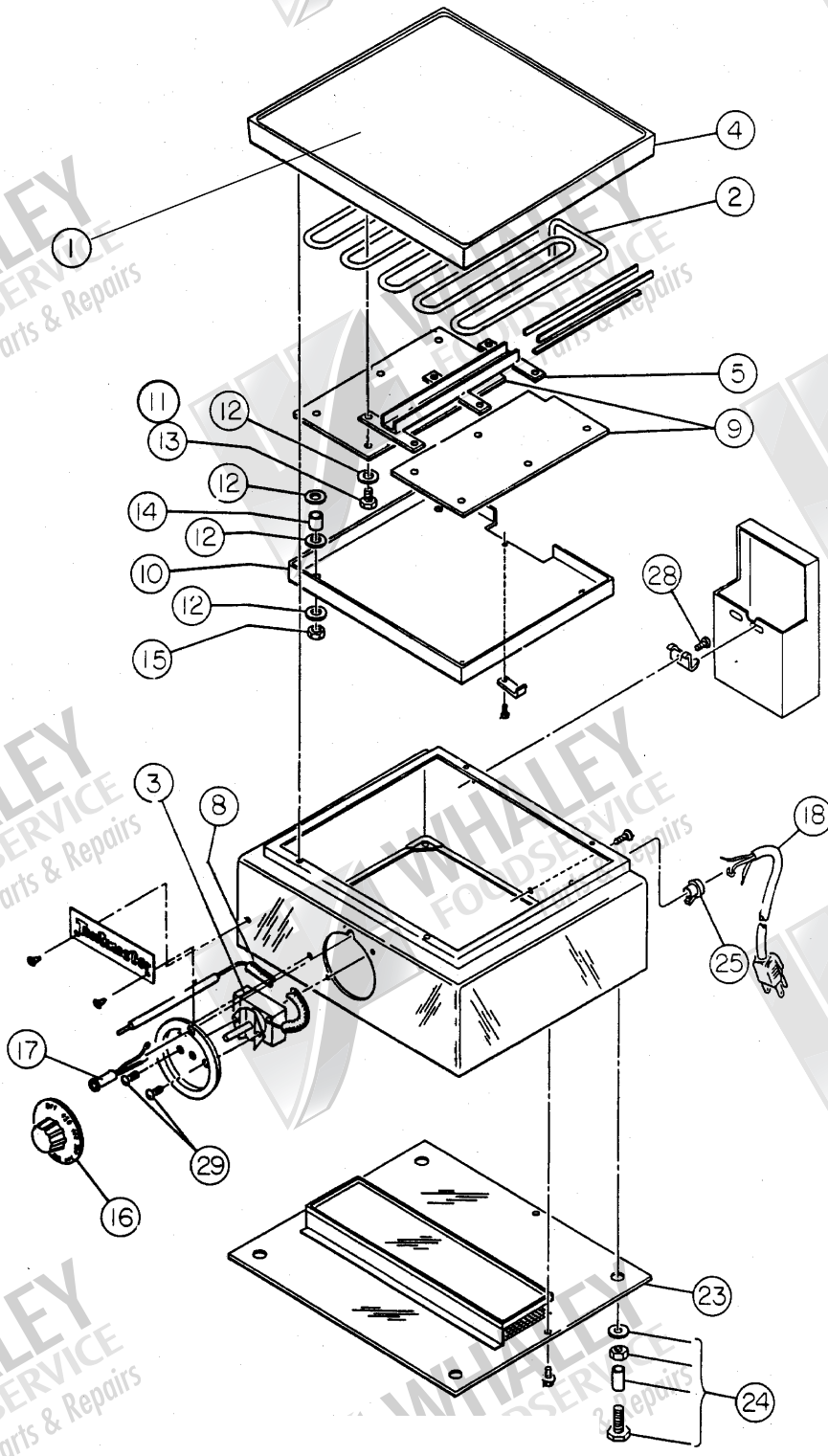


# Models A710 and A710S Grills



(Illustration on page 587.)

**Model 710B (Bottom Only) Grill  
(Pre 1990)**

| ITEM NO. | PART NO.  | DESCRIPTION                               |
|----------|-----------|---|
| 1        | A710E0008 | Griddle Plate — Complete, Items 1-8       |
| 2        | A710E8704 | Heating Unit — 120V, 1000W                |
| 3        | 7A2S-86   | Thermostat                                |
| 4        | A710E1003 | Griddle Plate Only                        |
| 5        | A710E0003 | Bulb Clamp Assembly                       |
| 8        | F706A7001 | Insulating Sleeve 24"                     |
| 9        | A710E1007 | Pressure Plate —<br>Heating Unit (2 qty.) |
| 10       | A710E1017 | Baffle — Pressure Plate                   |
| 11       | A710E1005 | Stud — Heating Unit (4 qty.)              |

| ITEM NO. | PART NO.  | DESCRIPTION                      |
|----------|-----------|----------------------------------|
| 12       | F706A8805 | Washer (20 qty.)                 |
| 13       | F716A8803 | Bolt — Heating Unit (8 qty.)     |
| 14       | F706A8811 | Spacer — Baffle (4 qty.)         |
| 15       | F706A8807 | Hex Nut — Stud (4 qty.)          |
| 16       | A710E8751 | Dial Knob                        |
| 17       | 3B82D0053 | Signal Light                     |
| 18       | 1511E0029 | Power Cord — 125V                |
| 23       | A710E0043 | Cover — Bottom                   |
| 24       | A710E0105 | Leg (4 qty.)                     |
| 25       | B212E8717 | Strain Relief                    |
| 28       | F716A8813 | Screw — Trough Hanger            |
| 29       | 3024A8813 | Screw — Thermostat Mtg. (2 qty.) |

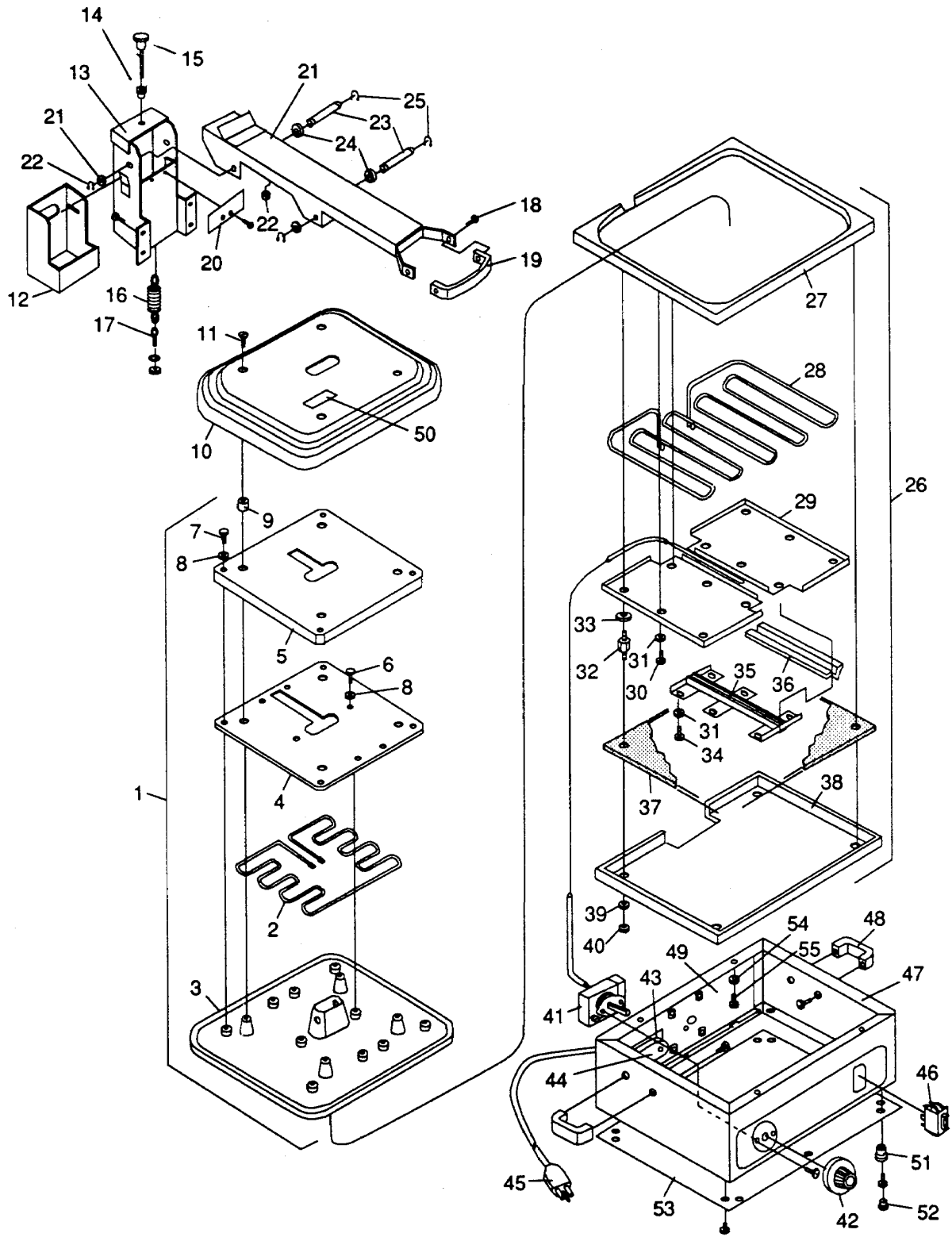
**Model 7A2 Grill**

| PART NO.  | DESCRIPTION                                |
|-----------|--|
| F716A8603 | Lava Bushing, Bottom Element Shield        |
| F716A8705 | Wire Clip for Bushing                      |
| 7A2H-5    | Arm Housing Stud, 5/16-18 x 1-7/8" Long    |
| F717A0131 | Thermostat Knob, Large (New Style)         |
| D705A0107 | Thermostat Knob, Red, "D" Shaft            |
| F706A8727 | Signal Light, 208V-230V                    |
| 1411D0025 | Signal Light Assembly, 208V-230V, Omni-Glo |
| 7A2586    | Thermostat                                 |

| PART NO. | DESCRIPTION               |
|----------|---------------------------|
| 7A2A182  | Top Plate Kit Aluminum    |
| 7A2A183  | Top Plate Kit Aluminum    |
| 7A2A184  | Top Plate Kit Aluminum    |
| 7A2A194  | Bottom Plate Kit Aluminum |
| 7A2A194  | Bottom Plate Kit Aluminum |
| 7A2A21   | Grease Trough Assembly    |
| 7A2C12   | Grease Trough Hanger      |
| 7A2S16   | Grommet Bumper            |
| 7A2S31   | Spring Balance            |
| 7A2S36   | Switch - Carlg - 215 - BL |

**SINGLE-SOURCE SUPPLIER!**

Whaley Foodservice Repairs is your **single-source supplier** for hundreds of foodservice equipment repair parts and accessories.



*(Illustration on page 589.)***Models A710 and A710S 1993 Version  
and 1990 thru 1992 Version**

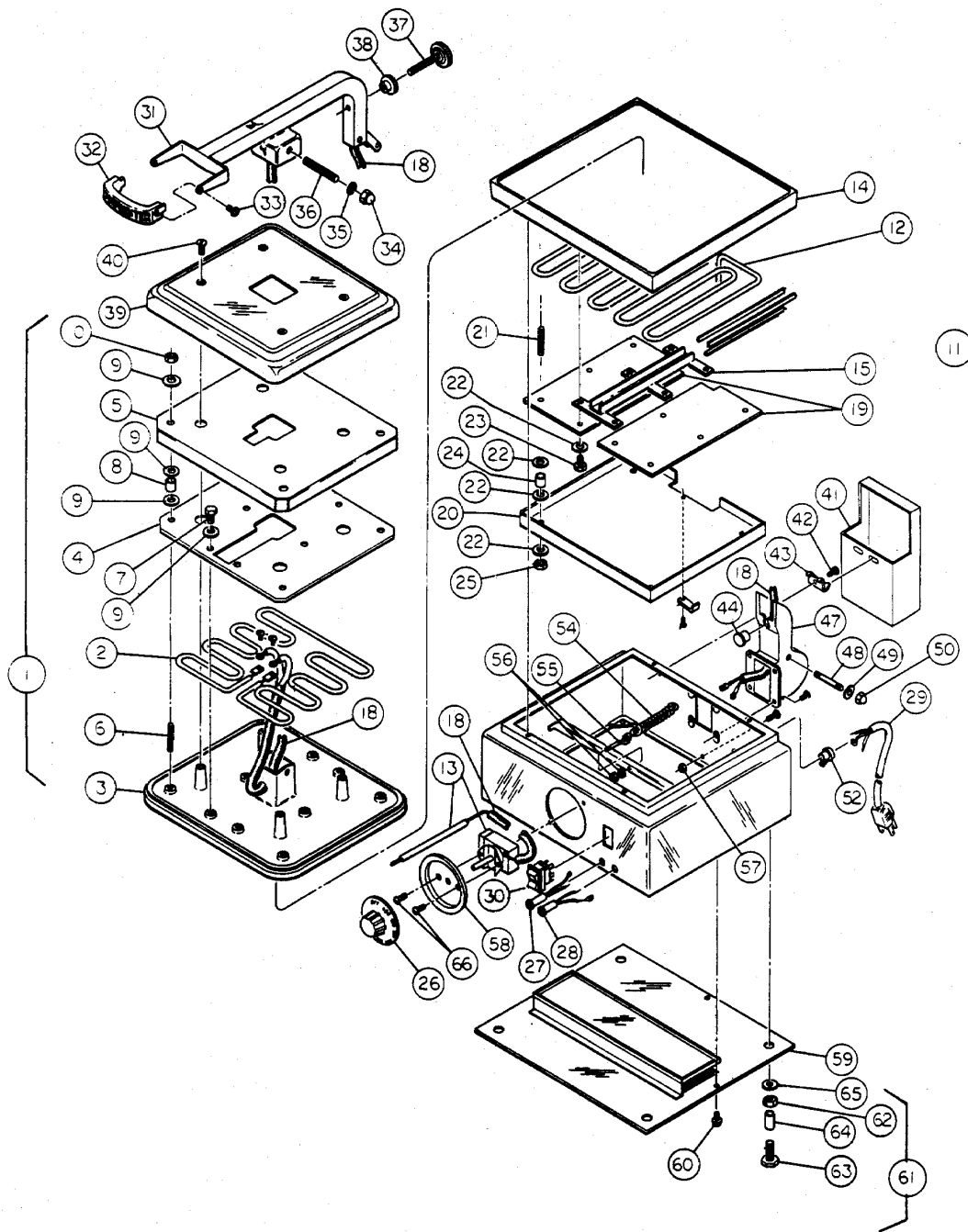
| <b>ITEM NO.</b> | <b>DESCRIPTION</b>                     | <b>PART NO.<br/>(1993)</b> | <b>PART NO.<br/>(1990-1992)</b> |
|-----------------|--|----------------------------|---------------------------------|
| 1               | Top Plate Assembly, 120V               | A710E0030                  | A710E0030                       |
| 1               | Top Plate Assembly, 208V               | A710E0031                  | A710E0031                       |
| 1               | Top Plate Assembly, 240V               | A710E0034                  | A710E0034                       |
| 1               | Top Plate Assembly, Silverstone, 120V  | A710E0072                  | A710E0072                       |
| 1               | Top Plate Assembly, Silverstone, 208V  | A710E0073                  | A710E0073                       |
| 1               | Top Plate Assembly, Silverstone, 240V  | A710E0076                  | A710E0076                       |
| 2               | Top Heating Unit, 120V                 | A710E8712                  | A710E8712                       |
| 2               | Top Heating Unit, 208V                 | A710E8713                  | A710E8713                       |
| 2               | Top Heating Unit, 240V                 | A710E8716                  | A710E8716                       |
| 3               | Top Plate, Silverstone                 | A710E1025                  | A710E1025                       |
| 3               | Top Plate                              | A710E1019                  | A710E1019                       |
| 4               | Top Clamp Plate                        | A710E1021                  | A710E1021                       |
| 5               | Top Heat Baffle                        | A710E1001                  | A710E1001                       |
| 6               | Screw HH Cap 1/4-20 x 3/8 NP (6 qty.)  | F716A8803                  | F716A8803                       |
| 7               | Screw HH 1/4-20 x 3/4 NI Pltd (4 qty.) | 411A8849                   | 411A8849                        |
| 8               | Washer 13/64" x 5/8" (10 qty.)         | F706A8805                  | F706A8805                       |
| 9               | Spacer (4 qty.)                        | 7007825                    | —                               |
| 9               | Washer (20 qty.)                       | —                          | F706A8805                       |
| 10              | Top Cover                              | A710E3023                  | A710E3023                       |
| 11              | Screw 1/4-20 x 1/2 (4 qty.)            | 2000350                    | 2000350                         |
| 12              | Grease Trough                          | 7006899                    | 7006899                         |
| 13              | Hinge Bracket Assembly                 | 7609806                    | 7609806                         |
| 14              | Knurled Thumb Knob                     | A710E8901                  | A710E8901                       |
| 15              | Adjustable Knob                        | 2100095                    | 2100095                         |
| 16              | Balance Spring                         | 3103258                    | 3103258                         |
| 17              | Eyebolt                                | 7007114                    | 7007114                         |
| 18              | Screw RHM 8-32 x 1/2 (2 qty.)          | 4141A8857                  | 4141A8857                       |
| 19              | Handle                                 | 3101758                    | 3101758                         |
| 20              | Plate, Cover 7006914                   | 7006914                    | —                               |
| 21              | Handle Arm Assembly                    | 7609805                    | 7609805                         |
| 22              | Bumper                                 | K1DS268                    | K1DS268                         |
| 23              | Arm Pin (2 qty.)                       | 7006900                    | 7006900                         |
| 24              | Washer (4 qty.)                        | 2001767                    | 2001767                         |
| 25              | Retaining Ring (4 qty.)                | 3102933                    | 3102933                         |
| 26              | Bottom Plate Assembly, 120V            | A710E0008                  | A710E0008                       |
| 26              | Bottom Plate Assembly, 208V            | A710E0009                  | A710E0009                       |
| 26              | Bottom Plate Assembly, 240V            | A710E0012                  | A710E0012                       |

| ITEM NO. | DESCRIPTION                        | PART NO.<br>(1993) | PART NO.<br>(1990-1992) |
|----------|------------------------------------|--------------------|-------------------------|
| 27       | Bottom Grid Plate                  | A710E1003          | A710E1003               |
| 27       | Bottom Grid Plate, Silverstone     | A710E1023          | A710E1023               |
| 28       | Bottom Heating Unit, 120V          | A710E8704          | A710E8704               |
| 28       | Bottom Heating Unit, 208V          | A710E8705          | A710E8705               |
| 28       | Bottom Heating Unit, 240V          | A710E8708          | A710E8708               |
| 29       | Pressure Plate (2 qty.)            | A710E1007          | A710E1007               |
| 30       | Screw HH 1/4-20-3/8 NP (2 qty.)    | F716A8803          | F716A8803               |
| 31       | Washer 13/64" x 5/8" (8 qty.)      | F106A8805          | F106A8805               |
| 32       | Standoff 1/4-20 x .56 (4 qty.)     | 7007823            | 7007823                 |
| 33       | Washer, Flat (4 qty.)              | 3023A8805          | 3023A8805               |
| 34       | Screw HHC 1/4-20 x 1/2 NP (6 qty.) | B301A8843          | B301A8843               |
| 35       | Clamp, Bulb Assembly               | A710E0003          | A710E0003               |
| 36       | Plate, Bulb                        | 7002943            | 7002943                 |
| 37       | Insulation Bottom Element          | 7007824            | —                       |
|          | Baffle, Bottom Heat                | A710E1017          | A710E1017               |
| 39       | Washer, Lock 1/4 (4 qty.)          | B10212             | B10212                  |
| 40       | Nut, Brass 1/4-20 (4 qty.)         | F706A8807          | F706A8807               |
| 41       | Thermostat                         | 7A2S86             | 7A2S86                  |
| 42       | Thermostat Control Knob            | A710E8751          | A710E8751               |
| 43       | Insulation, Terminal Block         | 1456A7011          | —                       |
| 44       | Terminal Block                     | 1456A0133          | —                       |
| 45       | Cord Assembly 125V-15A             | 7610588            | 1511E0029               |
| 45       | Cord Assembly 250V                 | 7610589            | 1511E0031               |
| 46       | Rocker Switch, Lighted             | 3003830            | 3003830                 |
| 47       | Case, 5" High                      | 7610591            | —                       |
| 47       | Case, 3-1/2" High                  | —                  | 7609808                 |
| 48       | Side Handle (2 qty.)               | 3101772            | 3101772                 |
| 49       | Back Plate Assembly                | 7610590            | 7609811                 |
| 50       | Label — Caution "Hot Surfaces"     | 1112B8303          | 1112B8303               |
| 51       | Rubber Foot 4021E8905              | 4021D8905          | —                       |
| 52       | Plug Foot                          | 3100357            | 3100357                 |
| 53       | Bottom Cover                       | 7007827            | 7609810                 |
| 54       | Lockwasher (4 qty.)                | 141108811          | 141108811               |
| 55       | Screw (4 qty.)                     | F716A8803          | F716A8803               |

**WE'RE HERE. 24/7**

www.whaleyfoodservice.com allows you to have information any time of day, any day of the year.  
Stay connected through our website.

**www.whaleyfoodservice.com**



**Model A710 Early Pre 1990 Version**

| ITEM NO. | PART NO.  | DESCRIPTION  |
|----------|-----------|--|
| 1        | A710E0030 | Top Plate Assembly with Element & Cover, Alum. 120V        |
| 1        | A710E0031 | Top Plate Assembly with Element & Cover, Alum. 208V        |
| 1        | A710E0034 | Top Plate Assembly with Element & Cover, Alum. 240V        |
| 1        | A710E0072 | Top Plate Assembly with Element & Cover, Silverstone, 120V |
| 1        | A710E0076 | Top Plate Assembly with Element & Cover, Silverstone, 240V |

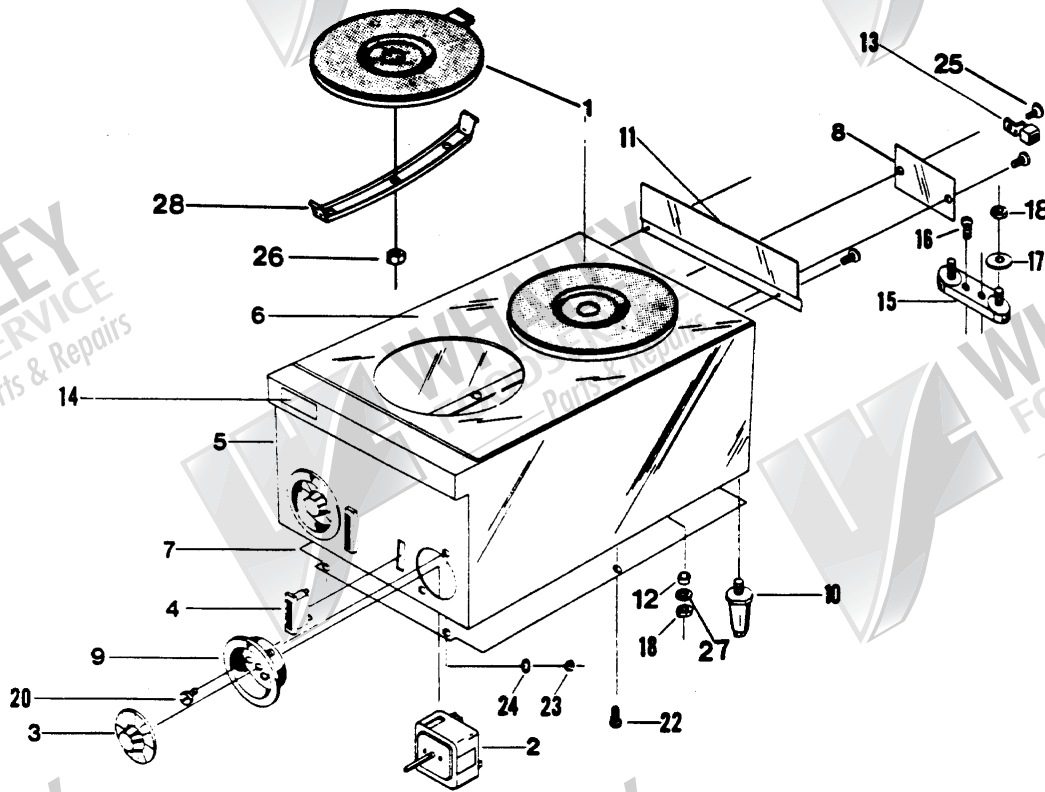
| ITEM NO. | PART NO.  | DESCRIPTION                                |
|----------|-----------|--|
| 2        | A710E8712 | Top Heating Element, 650W, 120V            |
| 2        | A710E8713 | Top Heating Element, 650W, 208V            |
| 2        | A710E8716 | Top Heating Element, 650W, 240V            |
| 3        | A710E1019 | Top Plate Only, Aluminum                   |
| 4        | A710E1021 | Top Clamp Plate                            |
| 5        | A710E1001 | Top Heat Baffle                            |
| 6        | A710E1005 | Stud, Heating Element (4 qty.)             |
| 7        | F716A8803 | Cap Screw, 1/4-20 x 3/8" Hex Head (6 qty.) |
| 8        | F706A8811 | Spacer (4 qty.)                            |
| 9        | F706A8805 | Washer, 17/64 x 5/8 x 18 (20 qty.)         |
| 10       | F706A8807 | Hex Nut, Brass 1/4-20 (4 qty.)             |



| ITEM NO. | PART NO.  | DESCRIPTION   |
|----------|-----------|---|
| 11       | A710E0008 | Bottom Plate Assembly with<br>Thermostat & Element, Alum. 120V        |
| 11       | A710E0009 | Bottom Plate Assembly with<br>Thermostat & Element, Alum. 208V        |
| 11       | A710E0012 | Bottom Plate Assembly with<br>Thermostat & Element, Alum. 240V        |
| 11       | A710E0064 | Bottom Plate Assembly with<br>Thermostat & Element, Silverstone, 120V |
| 11       | A710E0065 | Bottom Plate Assembly with<br>Thermostat & Element, Silverstone, 208V |
| 11       | A710E0068 | Bottom Plate Assembly with<br>Thermostat & Element, Silverstone, 240V |
| 12       | A710E8704 | Bottom Heating Element, 1000W, 120V                                   |
| 12       | A710E8705 | Bottom Heating Element, 1000W, 208V                                   |
| 12       | A710E8708 | Bottom Heating Element, 1000W, 240V                                   |
| 13       | 7A2S-86   | Thermostat  |
| 14       | A710E1003 | Bottom Plate Only, Aluminum   |
| 14       | A710E1023 | Bottom Plate Only, Silverstone  |
| 15       | A710E0003 | Bulb Clamp Assembly   |
| 18       | F706A7001 | Insulating Sleeveing, 24" Long (2 qty.)                               |
| 19       | A710E1007 | Bottom Clamp Plate (2 qty.)   |
| 20       | A710E1017 | Bottom Heat Baffle  |
| 21       | A710E1005 | Stud Heating Element (4 qty.)   |
| 22       | F706A8805 | Washer, 17/64 x 5/8 x 18 (20 qty.)                                    |
| 23       | F716A8803 | Cap Screw, 1/4-20 x 3/8", Hex Head (8 qty.)                           |
| 24       | F706A8811 | Spacer-Baffle (4 qty.)  |
| 25       | F706A8807 | Hex Nut, Brass, 1/4 (8 qty.)  |
| 26       | A710E8751 | Thermostat Control Knob   |
| 27       | A710E0019 | Signal Light, Red, 120V   |
| 27       | A710E0021 | Signal Light, Red, 208/240V   |
| 28       | A710E0023 | Signal Light, Green, 120V   |
| 28       | A710E0025 | Signal Light, Green, 208/240V   |
| 29       | 1511E0029 | Line Cord Assembly, 120V  |
| 29       | 1511E0031 | Line Cord Assembly, 208/240V  |
| 30       | A710E8727 | Rocker Switch, Non-lighted  |
| 31       | A710E0001 | Arm Assembly  |

| ITEM NO. | PART NO.  | DESCRIPTION   |
|----------|-----------|---|
| 32       | 3101758   | Drawer Handle   |
| 33       | 4141A8857 | Machine Screw, 8-32 x 1/2,<br>Truss Head (2 qty.)           |
| 34       | 7A2S-27   | Acorn Nut, 1/4-20 (2 qty.)                                  |
| 35       | 1411D8811 | Lockwasher, 1/4" Internal (2 qty.)                          |
| 36       | A710E3011 | Stud, 1/4-20 x 3-5/32"                                      |
| 37       | A710E8903 | Adjustable Knob   |
| 38       | A710E8901 | Knurled Thumb Knob  |
| 39       | A710E3023 | Top Cover   |
| 40       | A710E8803 | Machine Screw, 1/4-20 x 5/8",<br>Oval Head (4 qty.)         |
| 41       | 7A2A-21   | Grease Trough Assembly                                      |
| 42       | F716A8813 | Sheet Metal Screw, 10 x 1/2",<br>Truss Head, Type Z         |
| 43       | 7A2C-12   | Grease Trough Hanger  |
| 44       | 7A2S-16   | Rubber Bushing  |
| 47       | A710E3009 | Arm Housing, Rear   |
| 48       | 7A2H-5    | Stud, 5/16-18 x 1-7/8"                                      |
| 49       | 7A2S-28   | Lockwasher, 5/16" Internal (2 qty.)                         |
| 50       | 7A2S-29   | Acorn Nut, 5/16-18 (2 qty.)                                 |
| 52       | B212E8717 | Strain Relief Bushing                                       |
| 54       | 7A2S-31   | Balance Spring  |
| 55       | A710E8809 | Eye Bolt  |
| 56       | B301A8817 | Hex Nut, Steel, 1/4-20 (2 qty.)                             |
| 57       | F707A8803 | Hex Nut, 10-32 (2 qty.)                                     |
| 58       | 1523B0001 | Control Mounting Cup Assembly                               |
| 59       | A710E0043 | Bottom Cover Assembly                                       |
| 60       | B301A8801 | Sheet Metal Screw, 6 x 3/8",<br>Truss Head, Type Z (4 qty.) |
| 61       | A710E0105 | Leveling Leg Assembly, 1-1/8" (4 qty.)                      |
| 62       | A710E8807 | Hex Jam Nut, 3/8-16 (4 qty.)                                |
| 63       | A710E8915 | Leveling Leg (4 qty.)                                       |
| 64       | A710E8917 | Leg Spacer (4 qty.)   |
| 65       | 1513D8807 | Washer, 3/8" x 7/8" (4 qty.)                                |
| 66       | 3024A8813 | Machine Screw 6-32 x 3/16" (2 qty.)                         |

# Model 1132 Hot Plate



| ITEM NO. | PART NO.  | DESCRIPTION                               |
|----------|-----------|---|
| 1        | 1132B8703 | Heating Unit, 2600W, 240V                 |
| 2        | 15028727  | Infinite Switch 208/240V                  |
| 3        | A710E8761 | Control Knob                              |
| 4        | 1433B8701 | Signal Light, Amber, 250V                 |
| 5        | 1122B0015 | Case Assembly Less Top & Bottom           |
| 6        | 1132B0001 | Case Top Assembly                         |
| 7        | 1122B0021 | Case Bottom Assembly                      |
| 8        | 1122B3045 | Terminal Box Cover                        |
| 9        | 1523B0001 | Control Mounting Cup                      |
| 10       | 1523B0003 | 4" Adjusting Leg (4 qty.)                 |
| 11       | 11B2F-24  | Back Splash                               |
| 12       | 1112B3027 | Spacer                                    |
| 13       | 1502-8707 | Solderless Lug                            |
| 14       | 1523B8903 | Nameplate                                 |
| 15       | 1122B0001 | Terminal Block Assembly                   |
| 16       | 3B82D8813 | Sheet Metal Screw, #6 x 5/16", Round Head |
| 17       | 3B82D8737 | #10 Cup Washer                            |
| 18       | F707A8803 | Hex Nut, #10-32                           |

| ITEM NO. | PART NO.  | DESCRIPTION                                   |
|----------|-----------|---|
| 20       | 1429A8813 | Machine Screw, #8-32 x 3/16", Round Head      |
| 22       | B301A8863 | Sheet Metal Screw, #8 x 3/8", Hex Washer Head |
| 23       | 1411D8809 | Hex Nut, #6-32                                |
| 24       | B301A8829 | Lockwasher, #6                                |
| 25       | F716A8811 | Screw, #10 x 1/2", Hex Head                   |
| 26       | 1132B8801 | Hex Nut, #6                                   |
| 27       | 1501D8803 | Washer, 3/16" Burr                            |
| 28       | 1132B8901 | Clamp   |
|          | 1122B3031 | Rear Baffle                                   |
|          | 1122B0019 | Front Baffle                                  |
|          | F716A8703 | Lava Bushing                                  |
|          | F716A8705 | Clip for Lava Bushing                         |
|          | 3B82D8813 | Sheet Metal Screw, #6 x 5/16", Round Head     |
|          | 7A2S-7    | Monel Washer, 7/16 x 3/16                     |
|          | 1132B0901 | Wire Set, 208-240V                            |
|          | 20B2S-81  | Terminal, Jumper                              |
|          | 20B2E-44  | Element Terminal Block                        |

C1, C2, C3, C4, C5, C6  
D1, D2, D3, D4, D5, D6  
M1, M2, M3, M4, M5, M6

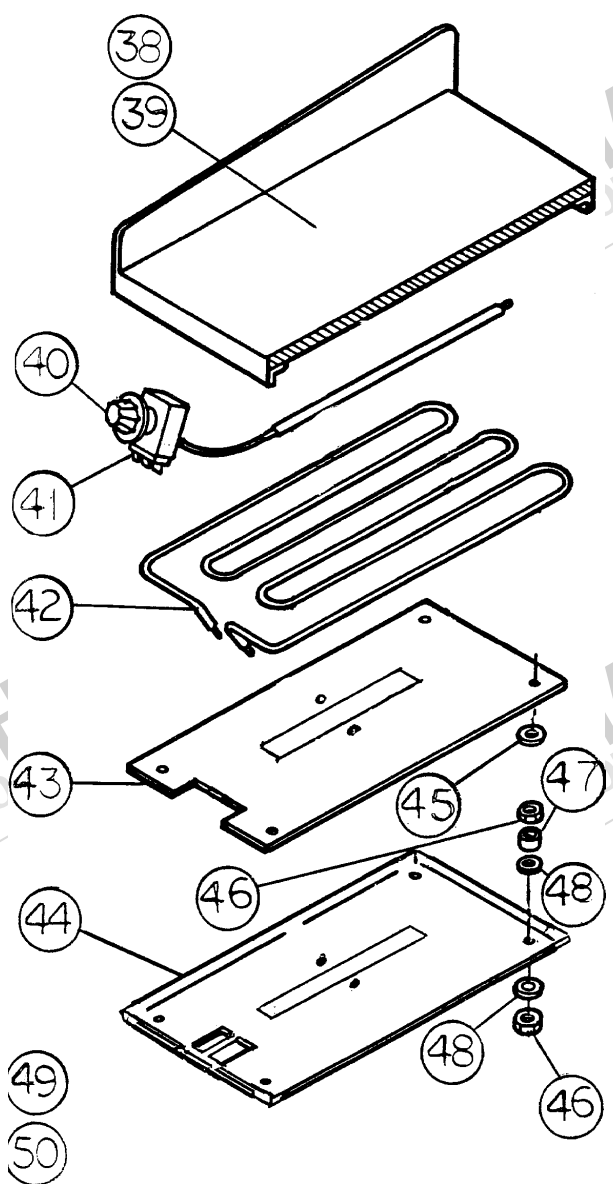
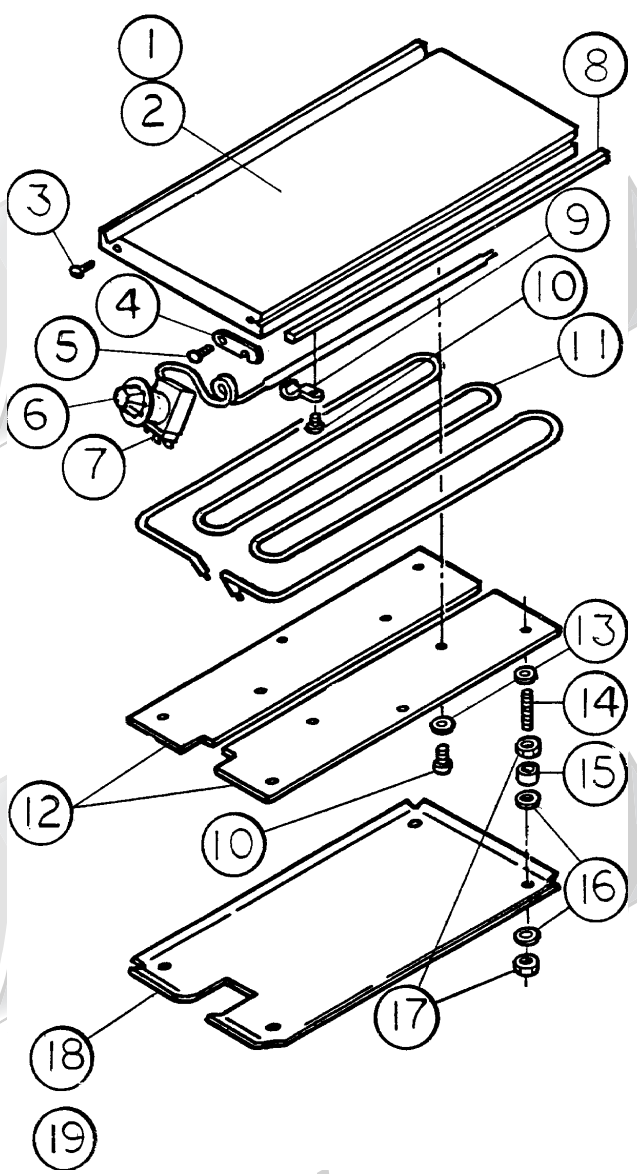
# RA36 Series Range

TOASTMASTER

RA36 Series Range

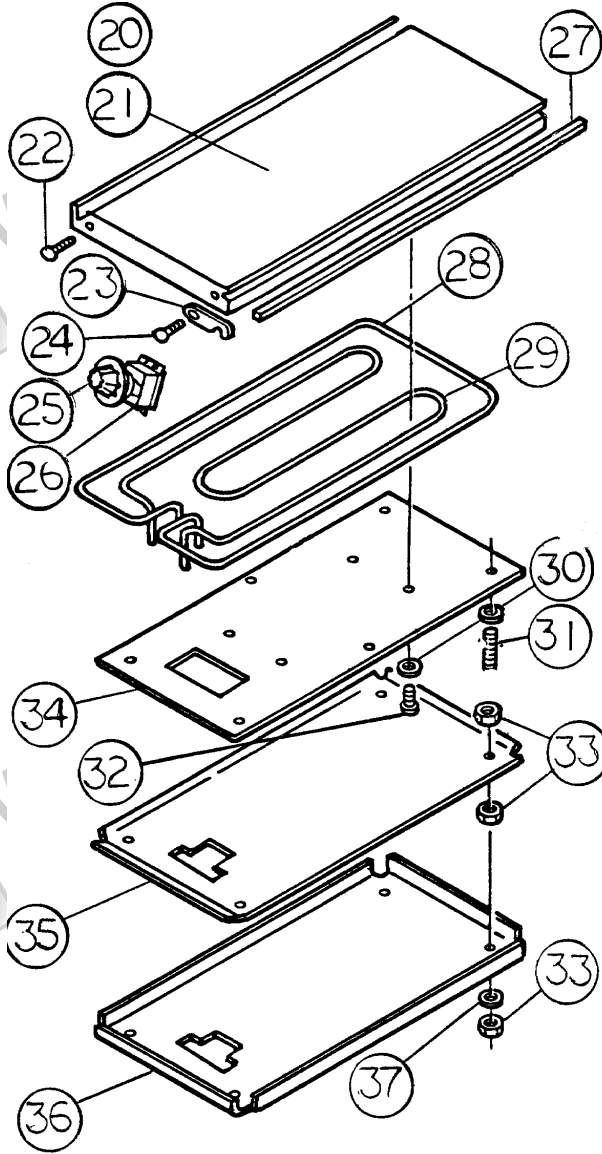
Tops #1 and #2

Top #3

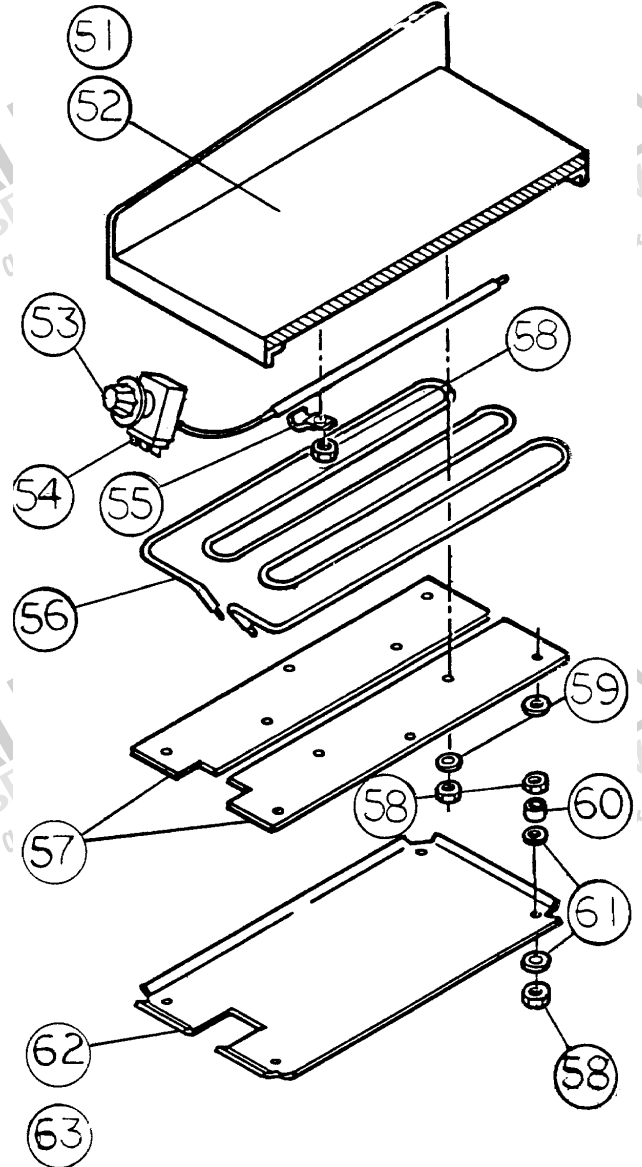


Whaley Foodservice Repairs is proud of our 60 years of dependable, reliable service and we bring it to work with us every day.

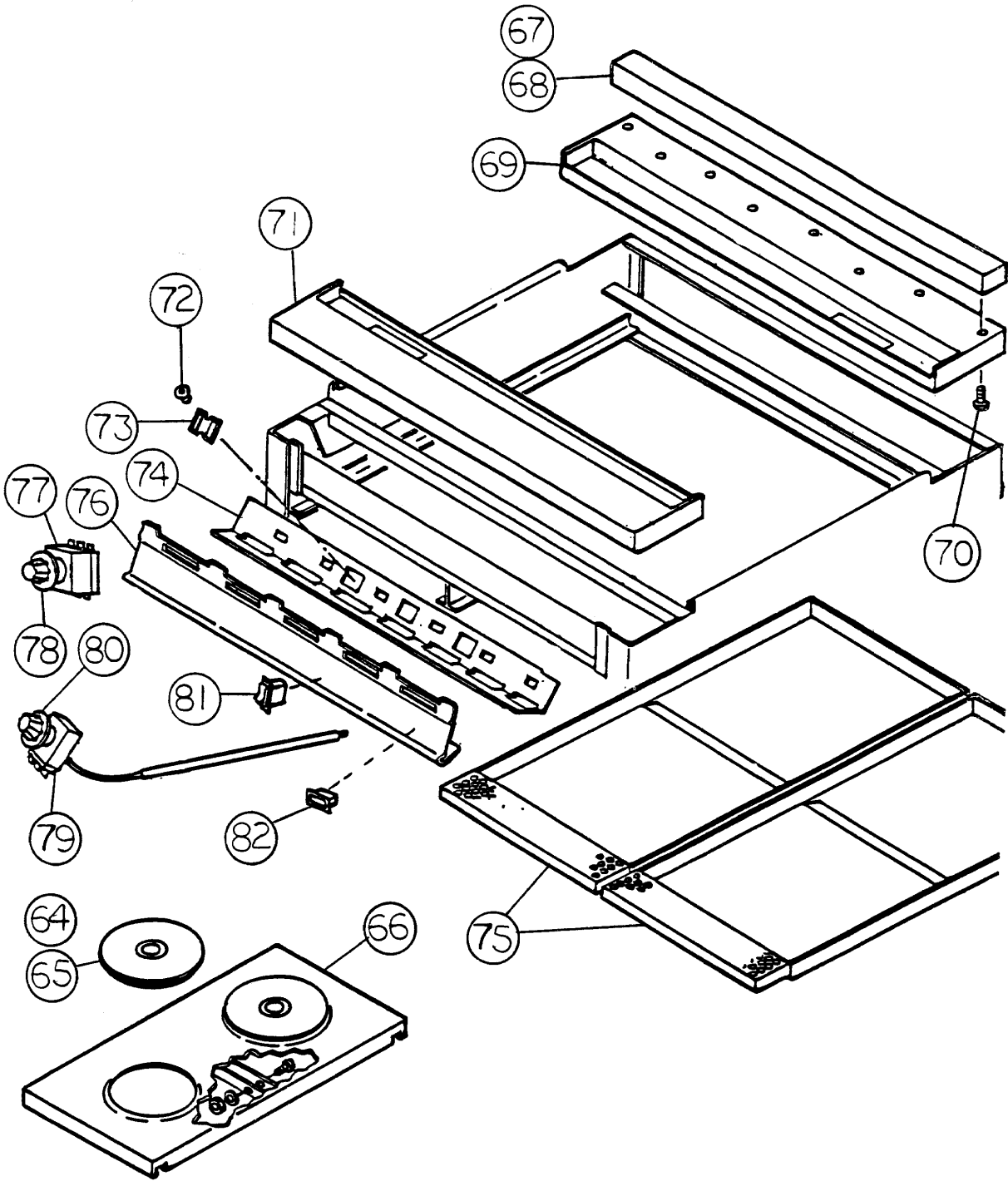
**Top #5**



**Top #6**



[www.whaleyfoodservice.com](http://www.whaleyfoodservice.com)  
VISIT US TODAY!



(Illustration on pages 595-597.)

**Range Section**

ELECTRICAL

**MODEL RA36**

| ITEM NO. | PART NO.  | DESCRIPTION                             | C1       | C2       | C3       | C4       | C5       | C6       |
|----------|-----------|---|----------|----------|----------|----------|----------|----------|
|          |           |   | D1<br>M1 | D2<br>M2 | D3<br>M3 | D4<br>M4 | D5<br>M5 | D6<br>M6 |
| 1        | 7600083   | 12x24 Plate Complete — Right Drain 208V | 1        | 1        |          |          |          |          |
| 1        | 7600084   | 12x24 Plate Complete — Right Drain 240V | 1        | 1        |          |          |          |          |
| 1        | 7600085   | 12x24 Plate Complete — Right Drain 380V | 1        | 1        |          |          |          |          |
| 1        | 7600086   | 12x24 Plate Complete — Right Drain 480V | 1        | 1        |          |          |          |          |
| 1        | 7600087   | 12x24 Plate Complete — Left Drain 208V  | 1        | 1        |          |          |          |          |
| 1        | 7600088   | 12x24 Plate Complete — Left Drain 240V  | 1        | 1        |          |          |          |          |
| 1        | 7600089   | 12x24 Plate Complete — Left Drain 380V  | 1        | 1        |          |          |          |          |
| 1        | 7600090   | 12x24 Plate Complete — Left Drain 480V  | 1        | 1        |          |          |          |          |
| 1        | 7600074   | 12x24 Plate Complete — Center 208V      | 1        |          |          |          |          |          |
| 1        | 7600075   | 12x24 Plate Complete — Center 240V      | 1        |          |          |          |          |          |
| 1        | 7600076   | 12x24 Plate Complete — Center 380V      | 1        |          |          |          |          |          |
| 1        | 7600077   | 12x24 Plate Complete — Center 480V      | 1        |          |          |          |          |          |
| 2        | 20A2G8    | 12x24 Plate Only Right or Left          | 2        | 2        |          |          |          |          |
| 2        | 20A2G9    | 12x24 Plate Only Center                 | 1        |          |          |          |          |          |
| 3        | 20A2G7    | Latch Screw                             | 4        | 2        |          |          |          |          |
| 4        | 20A2G6    | Latch Plate                             | 4        | 2        |          |          |          |          |
| 5        | 20A1G7    | Latch Pin                               | 4        | 2        |          |          |          |          |
| 6        | A710E8741 | Control Knob (Not Included in Item #1)  | 3        | 2        |          |          |          |          |
| 7        | 20A2S39   | Thermostat                              | 3        | 3        |          |          |          |          |
| 8        | 20A1G8    | Key Strip                               | 2        | 1        |          |          |          |          |
| 9        | F706A1013 | Bulb Clamp                              | 9        | 6        |          |          |          |          |
| 10       | F716A8803 | Cap Screw 1/4-20 x 3/8                  | 27       | 18       |          |          |          |          |
| 11       | F706A8703 | Element 280V                            | 3        | 2        |          |          |          |          |
| 11       | F706A8731 | Element 240V                            | 3        | 2        |          |          |          |          |
| 11       | F706A8708 | Element 380V                            | 3        | 2        |          |          |          |          |
| 11       | F706A8729 | Element 480V                            | 3        | 2        |          |          |          |          |
| 12       | F706A1015 | Element Clamp Plate                     | 6        | 4        |          |          |          |          |
| 13       | F706A8809 | Washer — 1-1/4                          | 30       | 20       |          |          |          |          |
| 14       | 20A1G6    | Stud 1/4-20 x 1-5/8                     | 12       | 8        |          |          |          |          |
| 15       | F706A8811 | Spacer                                  | 12       | 8        |          |          |          |          |
| 16       | F706A8805 | Washer                                  | 24       | 16       |          |          |          |          |
| 17       | B301A8817 | Hex Nut 1/4-20                          | 24       | 16       |          |          |          |          |
| 18       | F706A1017 | Baffle                                  | 3        | 2        |          |          |          |          |
|          | 8500079   | Insulation                              | 3        | 2        |          |          |          |          |
| 20       | 20M1A93   | 12x24 Hot Plate Assembly — Right 208V   |          |          |          |          | 1        |          |
| 20       | 20M1A269  | 12x24 Hot Plate Assembly — Right 240V   |          |          |          |          | 1        |          |
| 20       | 20M1A119  | 12x24 Hot Plate Assembly — Right 380V   |          |          |          |          | 1        |          |
| 20       | 20M1A270  | 12x24 Hot Plate Assembly — Right 480V   |          |          |          |          | 1        |          |
| 20       | 20M1A101  | 12x24 Hot Plate Assembly — Left 208V    |          |          |          |          | 1        |          |
| 20       | 20M1A273  | 12x24 Hot Plate Assembly — Left 240V    |          |          |          |          | 1        |          |
| 20       | 20M1A221  | 12x24 Hot Plate Assembly — Left 380V    |          |          |          |          | 1        |          |

| ITEM NO. | PART NO.   | DESCRIPTION                                   | MODEL RA36     |                |                |                |                |                |
|----------|------------|---|----------------|----------------|----------------|----------------|----------------|----------------|
|          |            |   | C1<br>D1<br>M1 | C2<br>D2<br>M2 | C3<br>D3<br>M3 | C4<br>D4<br>M4 | C5<br>D5<br>M5 | C6<br>D6<br>M6 |
| 20       | 20M1A274   | 12x24 Hot Plate Assembly — Left 480V          |                |                |                |                | 1              |                |
| 20       | 20M1A97    | 12x24 Hot Plate Assembly — Center 208V        |                |                |                |                | 1              |                |
| 20       | 20M1A271   | 12x24 Hot Plate Assembly — Center 240V        |                |                |                |                | 1              |                |
| 20       | 20M1A120   | 12x24 Hot Plate Assembly — Center 380V        |                |                |                |                | 1              |                |
| 20       | 20M1A272   | 12x24 Hot Plate Assembly — Center 480V        |                |                |                |                | 1              |                |
| 21       | 20A2G8     | 12x24 Plate Only — Right or Left              |                |                |                |                | 2              |                |
| 21       | 20A2G9     | 12x24 Plate Only — Center                     |                |                |                |                | 1              |                |
| 22       | 20A2G7     | Latch Plate Screw                             |                |                |                |                | 4              |                |
| 23       | 20A2G6     | Latch Plate                                   |                |                |                |                | 4              |                |
| 24       | 20A1G7     | Latch Plate Pin                               |                |                |                |                | 4              |                |
| 25       | A710EA8759 | 3-Heat Switch Knob (Not Included in Item #20) |                | 2              |                | 6              | 3              | 2              |
| 26       | 4111A8733  | 3-Heat Switch (Not Included in Item #20)      |                | 2              |                | 6              | 3              | 2              |
| 27       | 20A1G8     | Key Strip                                     |                |                |                |                | 2              |                |
| 28       | 20M1E1     | Element, Outer — 208V                         |                |                |                |                | 3              |                |
| 28       | 20M1E33    | Element, Outer — 240V                         |                |                |                |                | 3              |                |
| 28       | 20M1E26    | Element, Outer — 380V                         |                |                |                |                | 3              |                |
| 28       | 20M1E30    | Element, Outer — 480V                         |                |                |                |                | 3              |                |
| 29       | 20M1E5     | Element, Inner — 208V                         |                |                |                |                | 3              |                |
| 29       | 20M1E32    | Element, Inner — 240V                         |                |                |                |                | 3              |                |
| 29       | 20M1E27    | Element, Inner — 380V                         |                |                |                |                | 3              |                |
| 29       | 20M1E31    | Element, Inner — 480V                         |                |                |                |                | 3              |                |
| 30       | F706A8809  | Washer 17/64                                  |                |                |                |                | 24             |                |
| 31       | 20M1G2     | Stud 1/4-20 x 1/58                            |                |                |                |                | 12             |                |
| 32       | F716A8803  | Cap Screw 1/4                                 |                |                |                |                | 18             |                |
| 33       | B301A8817  | Hex Nut 1/4-20                                |                |                |                |                | 48             |                |
| 34       | 20M1E3     | Element Clamp Plate                           |                |                |                |                | 3              |                |
| 35       | 20M1G4     | Inner Baffle                                  |                |                |                |                | 3              |                |
| 36       | 20M1G1     | Outer Baffle                                  |                |                |                |                | 3              |                |
| 37       | F706A8805  | Washer 11/32                                  |                |                |                |                | 30             |                |
| 38       | 20G1A32    | 36x24 Griddle Plate Complete 208V             |                |                | 1              |                |                |                |
| 38       | 20G1A302   | 36x24 Griddle Plate Complete 240V             |                |                | 1              |                |                |                |
| 38       | 20G1A127   | 36x24 Griddle Plate Complete 380V             |                |                | 1              |                |                |                |
| 38       | 20G1A306   | 36x24 Griddle Plate Complete 480V             |                |                | 1              |                |                |                |
| 39       | 20G1A36    | 26x24 Griddle Plate Only                      |                |                | 1              |                |                |                |
| 40       | A710E8771  | Control Knob (No Included in Item #38)        |                |                | 4              |                |                |                |
| 41       | 2662A8723  | Thermostat                                    |                |                | 4              |                |                |                |
| 42       | 7D1E1      | Element 208V                                  |                |                | 4              |                |                |                |
| 42       | 7D1E29     | Element 240V                                  |                |                | 4              |                |                |                |
| 42       | 7D1E26     | Element 380V                                  |                |                | 4              |                |                |                |
| 42       | 7D1E28     | Element 480V                                  |                |                | 4              |                |                |                |
| 43       | 20G1A37    | Element Clamp Plate                           |                |                | 4              |                |                |                |
| 44       | 20G1A38    | Element Baffle                                |                |                | 4              |                |                |                |
| 45       | F706A8809  | Washer 11/32 x 1-1/4                          |                |                | 24             |                |                |                |



| ITEM NO. | PART NO.  | DESCRIPTION                             | MODEL RA36     |                |                |                |                |                |   |   |   |   |
|----------|-----------|---|----------------|----------------|----------------|----------------|----------------|----------------|---|---|---|---|
|          |           |   | C1<br>D1<br>M1 | C2<br>D2<br>M2 | C3<br>D3<br>M3 | C4<br>D4<br>M4 | C5<br>D5<br>M5 | C6<br>D6<br>M6 |   |   |   |   |
| 46       | F706A8807 | Hex Nut 1/4-20                          |                |                |                | 48             |                |                |   |   |   |   |
| 47       | F706A8811 | Spacer                                  |                |                |                | 24             |                |                |   |   |   |   |
| 48       | F706A8805 | Washer                                  |                |                |                | 28             |                |                |   |   |   |   |
|          | 7002270   | Thermostat Bulb Clamp                   |                |                |                | 4              |                |                |   |   |   |   |
|          | 20G1S31   | Thermostat Bulb Strip Insulation        |                |                |                | 4              |                |                |   |   |   |   |
| 51       | 7603538   | 24x24 Griddle Plate Complete 208V       |                |                |                |                |                | 1              |   |   |   |   |
| 51       | 7603539   | 24x24 Griddle Plate Complete 240V       |                |                |                |                |                | 1              |   |   |   |   |
| 51       | 7603540   | 24x24 Griddle Plate Complete 380V       |                |                |                |                |                | 1              |   |   |   |   |
| 51       | 7603541   | 24x24 Griddle Plate Complete 480V       |                |                |                |                |                | 1              |   |   |   |   |
| 52       | 7603536   | 24x24 Griddle Plate Only                |                |                |                |                |                | 1              |   |   |   |   |
| 53       | A710E8771 | Control Knob (Not Included in Item #51) |                |                |                |                |                | 2              |   |   |   |   |
| 54       | 2662A8723 | Thermostat                              |                |                |                |                |                | 2              |   |   |   |   |
| 55       | F706A1013 | Thermostat Bulb Clamp                   |                |                |                |                |                | 6              |   |   |   |   |
| 56       | F706A8703 | Element 208V                            |                |                |                |                |                | 2              |   |   |   |   |
| 56       | F706A8731 | Element 240V                            |                |                |                |                |                | 2              |   |   |   |   |
| 56       | V706A8708 | Element 380V                            |                |                |                |                |                | 2              |   |   |   |   |
| 56       | F706A8729 | Element 480V                            |                |                |                |                |                | 2              |   |   |   |   |
| 57       | 20A2G1    | Element Clamp Plate                     |                |                |                |                |                | 4              |   |   |   |   |
| 58       | B301A8817 | Hex Nut 1/4-20                          |                |                |                |                |                | 34             |   |   |   |   |
| 59       | F706A8809 | Washer 11/32 x 1-1/4                    |                |                |                |                |                | 20             |   |   |   |   |
| 60       | F706A8811 | Spacer                                  |                |                |                |                |                | 8              |   |   |   |   |
| 61       | F706A8805 | Washer (17/64 x 5/8)                    |                |                |                |                |                | 16             |   |   |   |   |
| 62       | F706A1017 | Baffle                                  |                |                |                |                |                | 2              |   |   |   |   |
|          | 8500079   | Insulation                              |                |                |                |                |                | 2              |   |   |   |   |
| 64       | 20B2A312  | Twin Plate Assembly 208V                | 1              |                |                | 3              |                | 1              |   |   |   |   |
| 64       | 20B2A313  | Twin Plate Assembly 240V                |                | 1              |                | 3              |                | 1              |   |   |   |   |
| 64       | 20B2A314  | Twin Plate Assembly 380V                |                | 1              |                | 3              |                | 1              |   |   |   |   |
| 64       | 20B2A315  | Twin Plate Assembly 480V                |                | 1              |                | 3              |                | 1              |   |   |   |   |
| 65       | 20B2E40   | Solid Round Heating Unit 208V           |                | 2              |                | 6              |                | 2              |   |   |   |   |
| 65       | 20B2E41   | Solid Round Heating Unit 240V           |                | 2              |                | 6              |                | 2              |   |   |   |   |
| 65       | 20B2E46   | Solid Round Heating Unit 380V           |                | 2              |                | 6              |                | 2              |   |   |   |   |
| 65       | 20B2E47   | Solid Round Heating Unit 480V           |                | 2              |                | 6              |                | 2              |   |   |   |   |
| 66       | 20B2A311  | Twin Plate Panel                        |                | 1              |                | 3              |                | 1              |   |   |   |   |
| 67       | 7601382   | Rear Trough & Rail Assembly             | 1              | 1              | 1              | 1              | 1              | 1              |   |   |   |   |
| 68       | 7600051   | Back Rail                               | 1              | 1              | 1              | 1              | 1              | 1              |   |   |   |   |
| 69       | 7600049   | Rear Trough                             | 1              | 1              | 1              | 1              | 1              | 1              |   |   |   |   |
| 70       | 4111A8809 | Hex Head M.S. #10-32 x 3/8              | 3              | 3              | 3              | 3              | 3              | 3              |   |   |   |   |
| 71       | 7600048   | Front Grease Trough                     | 1              | 1              | 1              | 1              | 1              | 1              |   |   |   |   |
| 72       | 1411D8709 | Grommet                                 | (              | a              | s              | n              | e              | e              | d | e | d | ) |
| 73       | 7601445   | Control Housing Cover                   | (              | a              | s              | n              | e              | e              | d | e | d | ) |
| 74       | 7000634   | Control Housing                         | 1              | 1              | 1              | 1              | 1              | 1              | 1 |   |   |   |
| 75       | 7601840   | Grease Drawer                           | 2              | 2              | 2              | 2              | 2              | 2              |   |   |   |   |

**CONTROL PANELS**

| ITEM NO. | PART NO.  | DESCRIPTION  | MODEL RA36                              |                |                |                |                |                |
|----------|-----------|--|---|----------------|----------------|----------------|----------------|----------------|
|          |           |  | C1<br>D1<br>M1                          | C2<br>D2<br>M2 | C3<br>D3<br>M3 | C4<br>D4<br>M4 | C5<br>D5<br>M5 | C6<br>D6<br>M6 |
| 76       | —         | Control Panel and Name Plate (Order Using Complete Model No., s/n & Voltage) | 1                                       | 1              | 1              | 1              | 1              | 1              |
| 77       | 4111A8733 | 3 HT Switch (Used on Deck Ovens)   |   | 2              |                | 6              | 3              | 2              |
| 78       | A710E8759 | 3 HT Switch Knob (Used on Deck Ovens)  |   | 2              |                | 6              | 3              | 2              |
| 79       | 20A2S39   | 12x24 Top Plate Thermostat   | 3                                       | 2              |                |                |                |                |
| 79       | 2662A8723 | Griddle Thermostat   |   |                | 4              |                |                | 2              |
| 79       | 2662A8701 | Convection Oven Thermostat   | ( a l l c o n v e c t i o n o v e n s ) |                |                |                |                |                |
| 79       | 3004238   | Deck Oven Thermostat   | ( a l l d e c k o v e n s )             |                |                |                |                |                |
| 80       | A710E8741 | 12x24 Thermostat Knob  |   | 2              |                |                |                |                |
| 80       | A710E8771 | Griddle Thermostat Knob  | 3                                       |                | 4              |                |                | 2              |
| 80       | A710E8771 | Convection Oven Thermostat Knob<br>(All Convection Ovens)                    | ( a l l c o n v e c t i o n o v e n s ) |                |                |                |                |                |
| 80       | A710E8739 | Deck Oven Thermostat Knob (All Deck Ovens)                                   | ( a l l d e c k o v e n s )             |                |                |                |                |                |
| 81       | 3027A8715 | Rocker Switch On/Off Convection Ovens<br>(All Convection Ovens)              | ( a l l c o n v e c t i o n o v e n s ) |                |                |                |                |                |

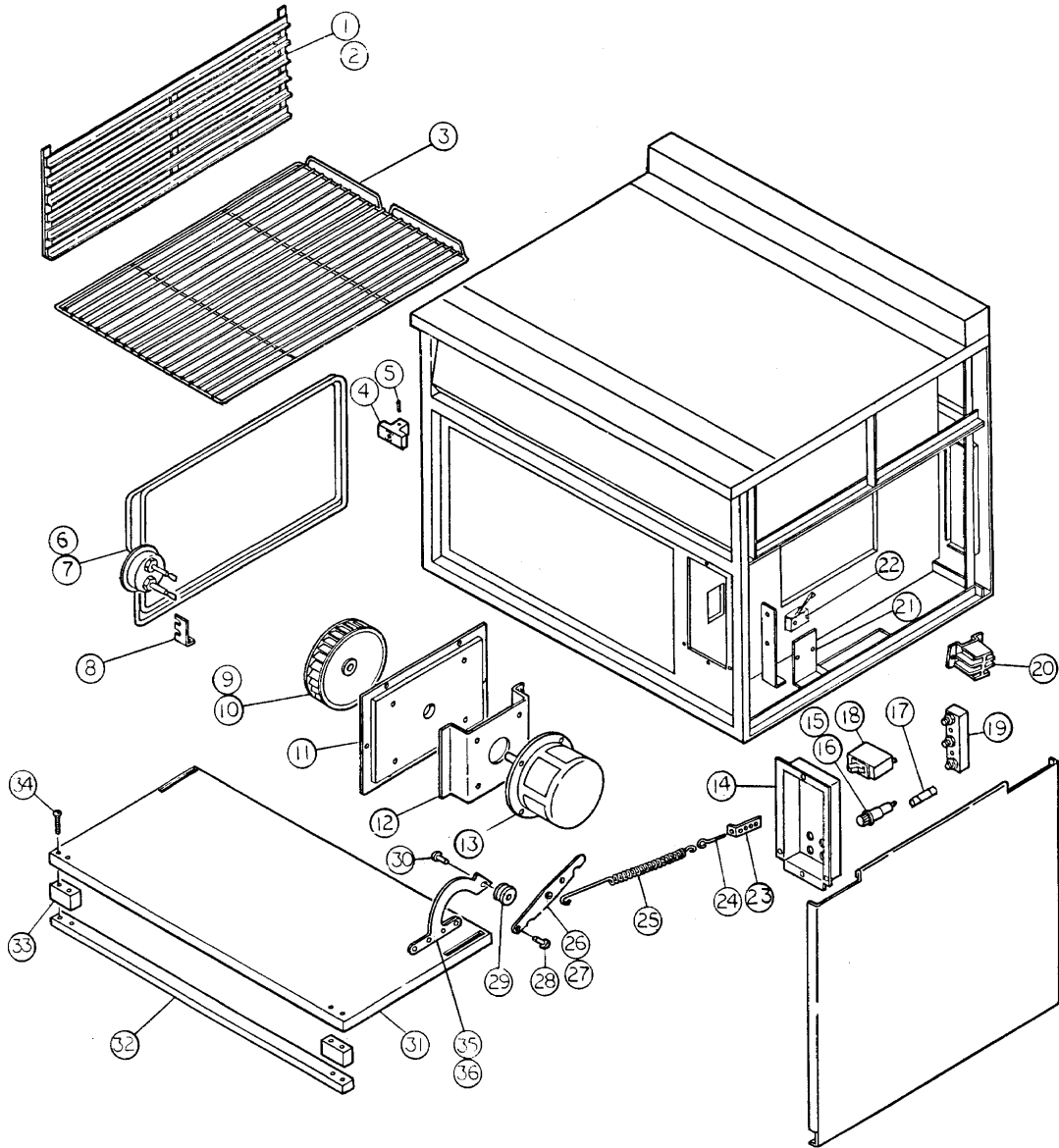
**SIGNAL LIGHTS**

► NOTE: Signal Lights Used on All Range–Range Oven–Range Boiler Combinations

| ITEM NO. | PART NO. | DESCRIPTION   | MODEL RA36     |                |                |                |                |                |
|----------|----------|---|----------------|----------------|----------------|----------------|----------------|----------------|
|          |          |   | C1<br>D1<br>M1 | C2<br>D2<br>M2 | C3<br>D3<br>M3 | C4<br>D4<br>M4 | C5<br>D5<br>M5 | C6<br>D6<br>M6 |
| 82       | 3003137  | Signal Light — Amber Heating 250V (All Deck Ovens)  |                |                | 4              |                |                | 2              |
|          | 3003138  | Signal Light — Green on 250V (All Convection Ovens) |                |                |                |                |                |                |
|          | 3003139  | Signal Light — Green Rear 250V                      |                | 1              |                | 3              |                | 1              |
|          | 3003140  | Signal Light — Green Front 250V                     |                | 1              |                | 3              |                | 1              |
|          | 3003141  | Signal Light — Amber Right 250V                     | 1              | 1              |                |                |                |                |
|          | 3003142  | Signal Light — Amber Left 250V                      | 1              | 1              |                |                |                |                |
|          | 3003145  | Signal Light — Amber Center 250V                    | 1              |                |                |                |                |                |
|          | 3003152  | Signal Light — Green ON 480V (All Convection Ovens) |                |                |                |                |                |                |
|          | 3003153  | Signal Light — Amber Heating 480V (All Deck Ovens)  |                |                | 4              |                |                | 2              |
|          | 3003154  | Signal Light — Amber Right 480V                     | 1              | 1              |                |                |                |                |
|          | 3003155  | Signal Light — Amber Center 480V                    | 1              |                |                |                |                |                |
|          | 3003156  | Signal Light — Amber Left 480V                      | 1              | 1              |                |                |                |                |
|          | 3003157  | Signal Light — Green Rear 480V                      |                | 1              |                | 3              |                | 1              |
|          | 3003158  | Signal Light — Green Front 480V                     |                | 1              |                | 3              |                | 1              |
|          | 3003159  | Signal Light — Green Center 250V (Used on Broilers) |                |                |                |                |                |                |
|          | 3003160  | Signal Light — Green Center 480V (Used on Broilers) |                |                |                |                |                |                |



**Convection Oven 36"  
(CO36 and RA36C)**



**MECHANICAL**

| ITEM NO. | PART NO.  | DESCRIPTION                      |
|----------|-----------|----------------------------------|
| 1        | 3027A0181 | Side Rack, Left                  |
|          | 3027A0179 | Side Rack, Right                 |
| 3        | 3027A8931 | Shelf Assembly (3 qty.)          |
| 4        | 2100053   | "T" Vent Knob                    |
| 5        | 2002305   | Groove Pin                       |
| 23       | 7001650   | Spring Mounting Bracket (2 qty.) |
| 24       | 43685     | Eye Bolt (2 qty.)                |
| 25       | 3103240   | Door Spring (2 qty.)             |
| 26       | 7602507   | Spring Arm, Right                |
|          | 7602508   | Spring Arm, Left                 |

| ITEM NO. | PART NO. | DESCRIPTION                          |
|----------|----------|--------------------------------------|
| 28       | 2000520  | Shoulder Screw (Spring Arm) (2 qty.) |
| 29       | 7001649  | Hinge Arm Roller (2 qty.)            |
| 30       | 7002209  | Shoulder Screw (Roller) (2 qty.)     |
| 31       | 7601366  | Oven Door Assembly                   |
| 32       | 7600027  | Door Handle Assembly                 |
| 33       | 3103164  | Spacer, Door Handle (2 qty.)         |
| 34       | 2000320  | FHM Screw 10-32 x 3.50 (4 qty.)      |
| 35       | 7604473  | Hinge Arm Assembly, Right            |
|          | 7604474  | Hinge Arm Assembly, Left             |

## ELECTRICAL

| ITEM NO.   | PART NO.  | DESCRIPTION  |
|--|-----------|--|
| ► NOTE: Order Element and Cup separately (See Below) |           |  |
| 6/7  | 3027A8701 | Element 6000W-208V                                 |
| 6/7  | 3027A8711 | Element 6000W-240V                                 |
| 6/7  | 3027A8705 | Element 6000W-380V                                 |
| 6/7  | 3027A8709 | Element 6000W-480V                                 |
|  | 3027A3081 | Element Cup  |
| 8  | 3027A3083 | Element Support (4 qty.)                           |
| 9  | 7603529   | Motor Blower & Assembly<br>208V 1/2 HP before 1-86 |
| 9  | 7600067   | Motor Blower & Assembly 240V-480V                  |
| 10   | 3103902   | Blower Wheel                                       |
| 11   | 7600036   | Motor Mount & Insulation before 1-86               |
| 12   | 7601399   | Motor Mounting Bracket before 1-86                 |
| 13   | 3027A8601 | Motor 1/2 HP-208V before 1-86                      |
| 13   | 3027A8603 | Motor 3/4 HP 240V-480V                             |
| 14   | 7600059   | Fuse Panel   |
| 15   | 1455A0339 | Fuse Holder Assembly 300V (2 qty.)                 |
| 15   | 1455A0341 | Fuse Holder Assembly 600V (2 qty.)                 |
| 16   | 1455A8735 | Fuse Holder 10 amp, 300V (2 qty.)                  |
| 16   | 1455A8737 | Fuse Holder 10 amp, 600V (2 qty.)                  |
| 17   | 1455A8793 | Fuse 10 amp, 300V (2 qty.)                         |
| 17   | 1455A8794 | Fuse 10 amp, 600V (2 qty.)                         |
| 18   | 3027A8717 | Circuit Breaker 208V-240V                          |

► NOTE: Circuit breakers were removed from the following:

1. RA36C – Ranges 12-1343-82 and above 208V-240V
2. RA36D – Ranges 12-2235-82 and above 208V-240V
3. RA36M & S – Ranges 12-1081-82 and above 208V-240V

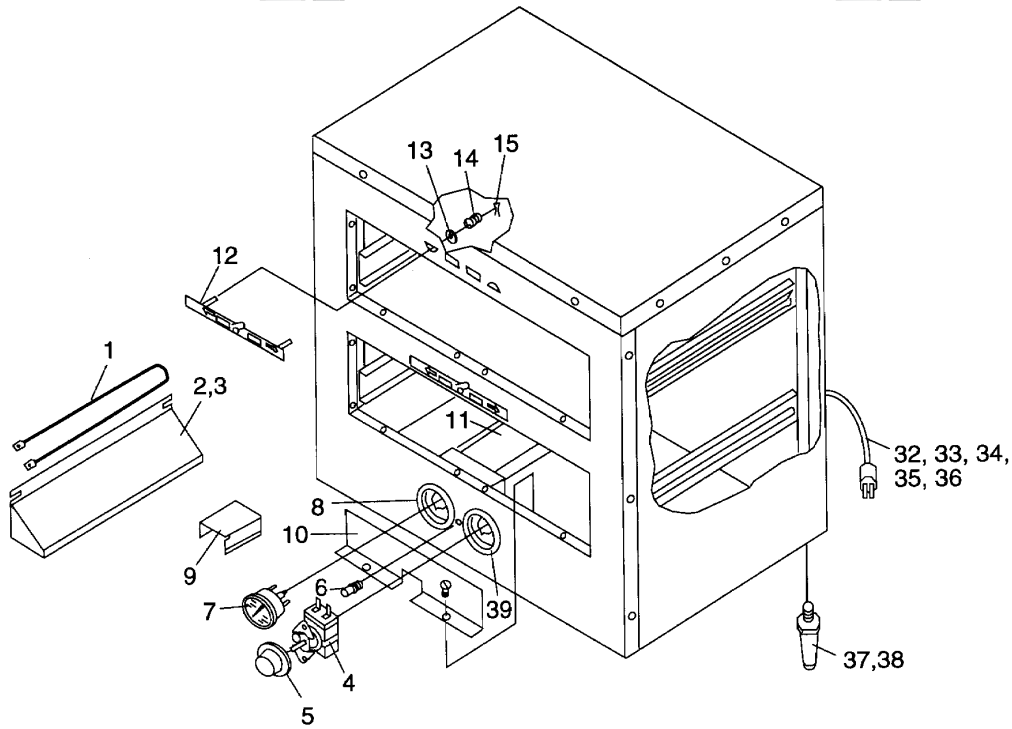
| ITEM NO.  | PART NO.  | DESCRIPTION                                  |
|---|-----------|--|
| 19  | 3027A0001 | Terminal Block                               |
| 20  | 3024A8706 | Contactator 208V                             |
| 20  | 3024A8706 | Contactator 240V                             |
| 20  | 3024A8708 | Contactator 480V                             |
| 21  | 7604731   | Switch Lever Bracket (Blower) before 1-86    |
| 22  | 3027A8713 | Micro Switch 208V (Blower)                   |
| 22  | 3024A8747 | Micro Switch 480V (Blower)                   |
|   | 8500003   | Gasket Door Seal                             |
|   | 7601367   | Seal Retainer, Top                           |
|   | 7601386   | Seal Retainer, Left                          |
|   | 7601387   | Seal Retainer, Right                         |
|   | 3004517   | Timer  |
|   | 2100054   | Timer Knob                                   |
|   | 7600054   | Element & Blower Wheel Cover Alum St.        |
|   | 7600055   | Element & Blower Wheel Cover SS              |
| ► NOTE: Following parts used on Convection ovens after 1-86 |           |  |
|   | 7607767   | Motor Blower & Assembly<br>208V-240V, 1/4 HP |
|   | 7004592   | Motor Mount Bracket                          |
|   | 3002743   | Motor 1/4 HP Gould                           |
|   | 7002704   | Switch Lever Bracket                         |
|   | 7606544   | Motor Mount & Insulation                     |

**NO MINIMUMS.**

That's right! Whaley Foodservice Repairs has no minimum order requirement. Call us at **(800) 877-2662** to place your order or fax the order to **(888) 877-2660**.

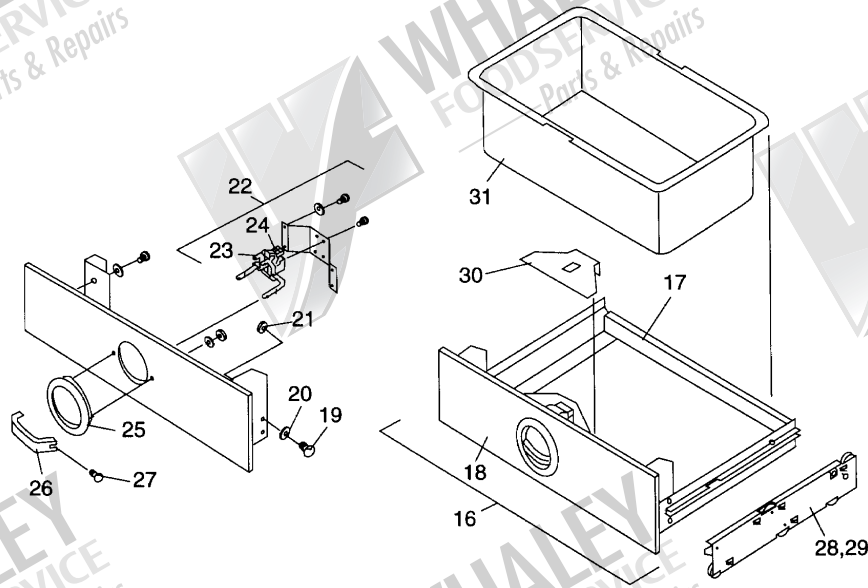
# Hot Food Servers

**3B20A, 3B22D  
3B70A, 3B72D  
3B80A, 3B82D**



## Two Drawer Hot Food Servers

| ITEM NO. | DESCRIPTION                                 | PART NO.<br>(MODELS<br>3B20A, 3B22D) | PART NO.<br>(MODELS<br>3B70A, 3B72D) | PART NO.<br>(MODELS<br>3B80A, 3B82D) |
|----------|---|--------------------------------------|--------------------------------------|--------------------------------------|
| 1        | Heating Element — 110V, 500W (2 qty.)       | 3B82D8701                            | 3B82D8701                            | 3B82D8701                            |
| 2        | Element Sheath Assembly, Right              | 3B22D0029                            | 3B72D0041                            | 3B82D0047                            |
| 3        | Element Sheath Assembly, Left               | 3B22D0031                            | 3B72D0043                            | 3B82D0049                            |
| 4        | Thermostat 100°–200° F                      | 3B70A8929                            | 3B70A8929                            | 3B70A8929                            |
| 5        | Control Knob (0/10/Off)                     | 2100087                              | 2100087                              | 2100087                              |
| 6        | Signal Light, Red — 250V                    | 34804                                | 34804                                | 34804                                |
| 7        | Thermometer                                 | 3004112                              | 3004112                              | 3004112                              |
| 8        | Mounting Cup                                | 7609086                              | 7609086                              | 7609086                              |
| 9        | Thermostat Cover                            | 7005909                              | 7005909                              | 7005909                              |
| 10       | Thermostat Baffle                           | 7007055                              | 7007055                              | 7007055                              |
| 11       | Wire Raceway                                | 7007052                              | 7007052                              | 7007052                              |
| 12       | Slide Plate Assembly (2 qty.)               | 7610283                              | 7610283                              | 7610283                              |
| 13       | Flat Washer (4 qty.)                        | 2001863                              | 2001863                              | 2001863                              |
| 14       | Spring (4 qty.)                             | 3103260                              | 3103260                              | 3103260                              |
| 15       | Cotter Pin (4 qty.)                         | 2002350                              | 2002350                              | 2002350                              |
| 16       | Drawer Carriage Assembly w/Front (2 qty.)   | 3B22D0143                            | 3B72D0149                            | 3B82D0179                            |
| 17       | Drawer Carriage Assembly w/o Front (2 qty.) | 3B22D0079                            | 3B72D0101                            | 3B82D0151                            |



| ITEM NO. | DESCRIPTION                                    | PART NO.<br>(MODELS<br>3B20A, 3B22D) | PART NO.<br>(MODELS<br>3B70A, 3B72D) | PART NO.<br>(MODELS<br>3B80A, 3B82D) |
|----------|--|--------------------------------------|--------------------------------------|--------------------------------------|
| 18       | Drawer Front Catch & Truss Assembly (2 qty.)   | 3B72D0147                            | 3B72D0147                            | 3B82D0177                            |
| 19       | Cap Screw, 1/4-20 x 1/2" Hex Head (16 qty.)    | B301A8843                            | B301A8843                            | B301A8843                            |
| 20       | Lockwasher, 1/4" Internal (16 qty.)            | 1411D8811                            | 1411D8811                            | 1411D8811                            |
| 21       | Hex Nut, 1/4-20 Steel (8 qty.)                 | B301A8817                            | B301A8817                            | B301A8817                            |
| 22       | Drawer Catch Bracket & Truss Assembly (2 qty.) | 3B82D0175                            | 3B82D0175                            | 3B82D0175                            |
| 23       | Drawer Catch Assembly (2 qty.)                 | 3B82D0087                            | 3B82D0087                            | 3B82D0087                            |
| 24       | Drawer Catch Spring (2 qty.)                   | 3B82D8401                            | 3B82D8401                            | 3B82D8401                            |
| 25       | Drawer Handle Cup Assembly (2 qty.)            | 7608910                              | 7608910                              | 7608910                              |
| 26       | Drawer Handle (2 qty.)                         | 3101758                              | 3101758                              | 3101758                              |
| 27       | Machine Screw, 8-32 x 3/8" Flat Head (4 qty.)  | 3B82D8807                            | 3B82D8807                            | 3B82D8807                            |
| 28       | Third Member, Right (2 qty.)                   | 3B22D0041                            | 3B72D0055                            | 3B82D0067                            |
| 29       | Third Member, Left (2 qty.)                    | 3B22D0045                            | 3B72D0057                            | 3B82D0069                            |
| 30       | Cover Latch Drawer (2 qty.)                    | 7007086                              | 7007086                              | 7007086                              |
| 31       | Drawer Pan (2 qty.)                            | 3B22D8411                            | 3B72D8411                            | 3B82D8411                            |
| 32       | Terminal Block                                 | 33406                                | 33406                                | 33406                                |
| 33       | Strain Relief                                  | 33412                                | 33412                                | 33412                                |
| 34       | Electrical Box                                 | PK1DC39                              | PK1DC39                              | PK1DC39                              |
| 35       | Electrical Box Cover                           | PK1DC32                              | PK1DC32                              | PK1DC32                              |
| 36       | Cord and Plug                                  | 34497                                | 34497                                | 34497                                |
| 37       | Adj. Leg — Set of 4 (Freestanding)             | 1523B0003                            | 1523B0003                            | 1523B0003                            |
| 38       | Adj. Leg — Individual (Freestanding) (4 qty.)  | 1523B8301                            | 1523B8301                            | 1523B8301                            |
| 39       | Cup Assembly, Control Mounting                 | E336A0107                            | E336A0107                            | E336A0107                            |

FRONT CASE ASSEMBLIES (FRONT PANELS)

| MODEL | PART NO. | DESCRIPTION         |
|-------|----------|---------------------|
| 3B20A | 7609112  | Front Case Assembly |
| 3B22D | 7609083  | Front Case Assembly |
| 3B70A | 7609112  | Front Case Assembly |
| 3B72D | 7609083  | Front Case Assembly |
| 3B80A | 7609114  | Front Case Assembly |
| 3B82D | 7609158  | Front Case Assembly |

