

# T&S Brass Dishwashing Accessories



**Pre-Rinse Spray with Flexible Stainless Steel Hose**

PART NO.	DESCRIPTION
B-0100	Pre-Rinse Spray with Flexible Stainless Steel Hose



**Pre-Rinse Spray Valve**

PART NO.	DESCRIPTION
B-0107	Pre-Rinse Spray Valve



**Flexible Stainless Steel Hose**

PART NO.	DESCRIPTION
B-0044-H	Flexible Stainless Steel Hose, 44"



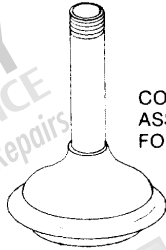
**Repair Kit for B-0107 Spray Valve**

PART NO.	DESCRIPTION
B-10K	Repair Kit for B-0107 Spray Valve



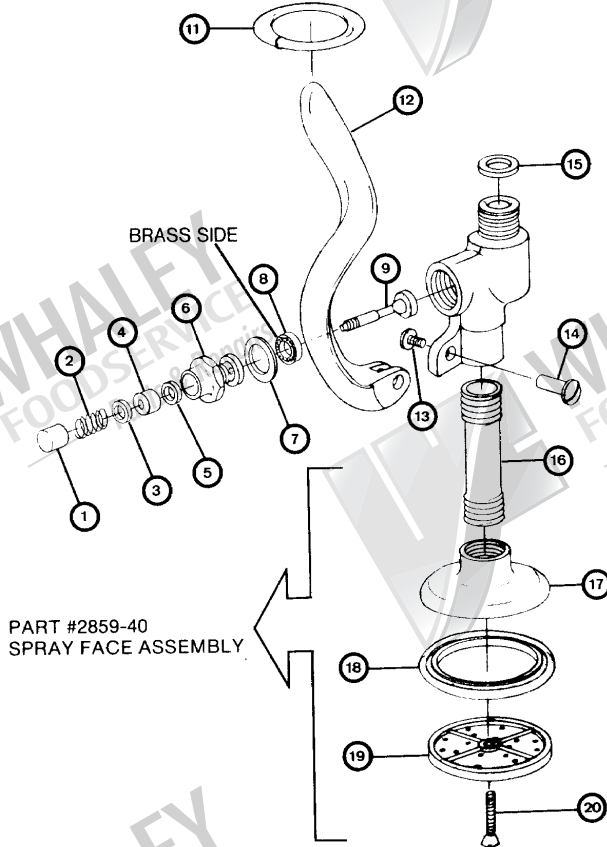
# B-107 Spray Valve

2859-40 SPRAY HEAD

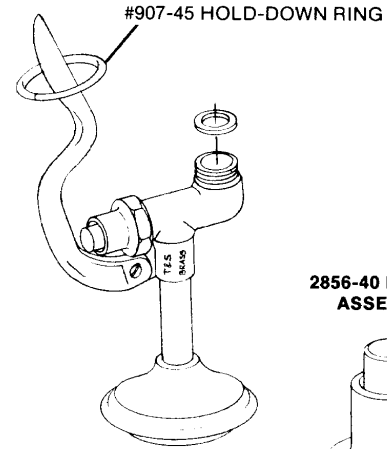


COMPLETE SPRAY HEAD ASSEMBLED - PART #2859-40 FOR USE ON B-107

B-107 SPRAY VALVE

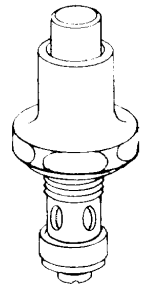


B-107 SPRAY VALVE ASSEMBLY



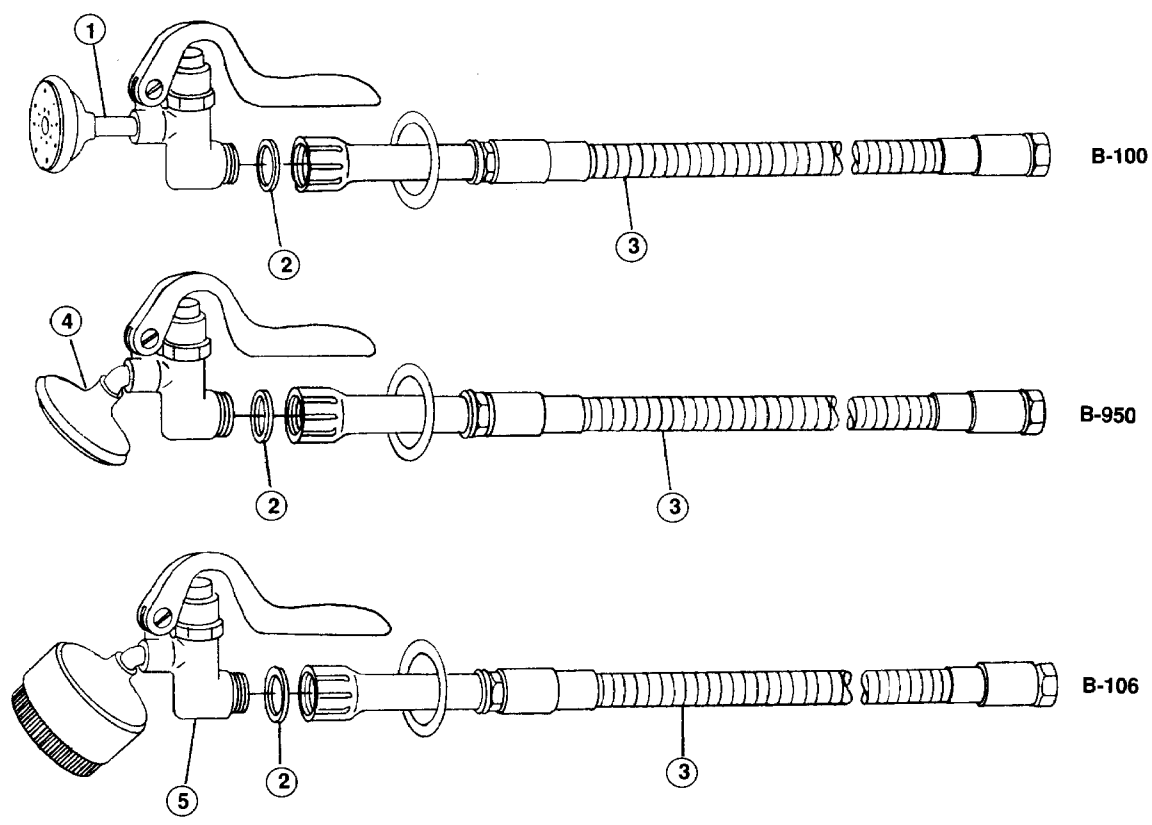
B-107 SPRAY VALVE USED ON ALL PRE-RINSE UNITS.

2856-40 BONNET ASSEMBLY



ITEM NO.	PART NO.	DESCRIPTION
1	753-25	Push Button
2	885-45	Bonnet Spring
3	974-45	Bonnet Washer
4	1097-45	Packing
5	974-45	Bonnet Washer
6	608-25	Bonnet
7	1040-45	Binding Washer
8	1084-45	Seat Washer
9	842-20	Stem
11	907-45	Hold-Down Ring
12	1120-45	Squeeze Valve Handle
13	3199-45	Handle Screw
14	3198-45	Handle Nut
15	1015-45	Hose Washer
16	694-40	Spray Cup
18	1085-45	Rubber Ring
19	1121-45	Spray Face
20	913-45	Spray Face Screw

# B-100/950/106 Pre-Rinse Hose



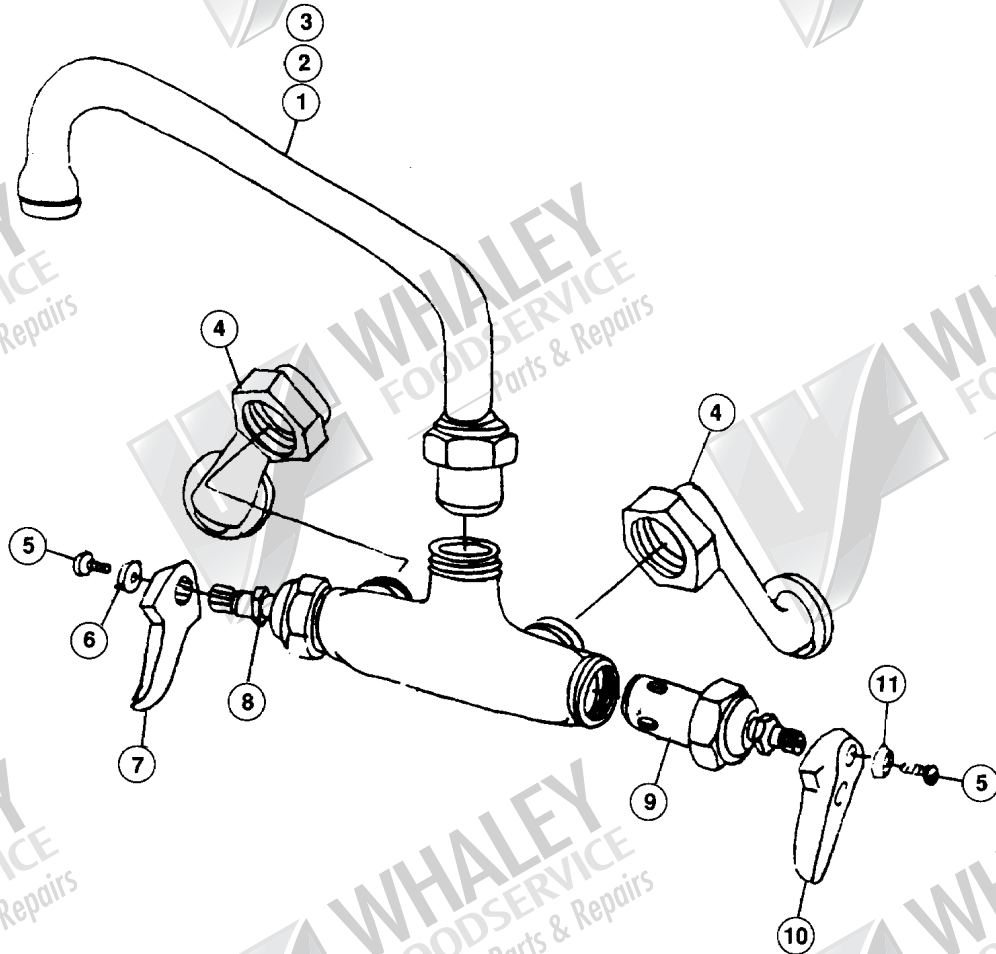
ITEM NO.	PART NO.	DESCRIPTION
1	B-0107	Spray Valve
2	1015-45	Washer
3	B-0044-H	SS Hose

ITEM NO.	PART NO.	DESCRIPTION
4	2853-40	Spray Valve
5	5963-40	Spray Valve with Brush

### SINGLE-SOURCE SUPPLIER!

Whaley Foodservice Repairs is your **single-source supplier** for hundreds of foodservice equipment repair parts and accessories.

# B-235 / 236 / 237 Combination Sink Faucet



ITEM NO.	PART NO.	DESCRIPTION
1	5955-40	Swing Nozzle 18" (B-235)
2	5952-40	Swing Nozzle 12" (B-236)
3	2877-40	Swing Nozzle 6" (B-237)
4	2886-40	Flange Assembly (GG)
5	922-45	Handle Screw
6	1661-45	Index Button (Hot)

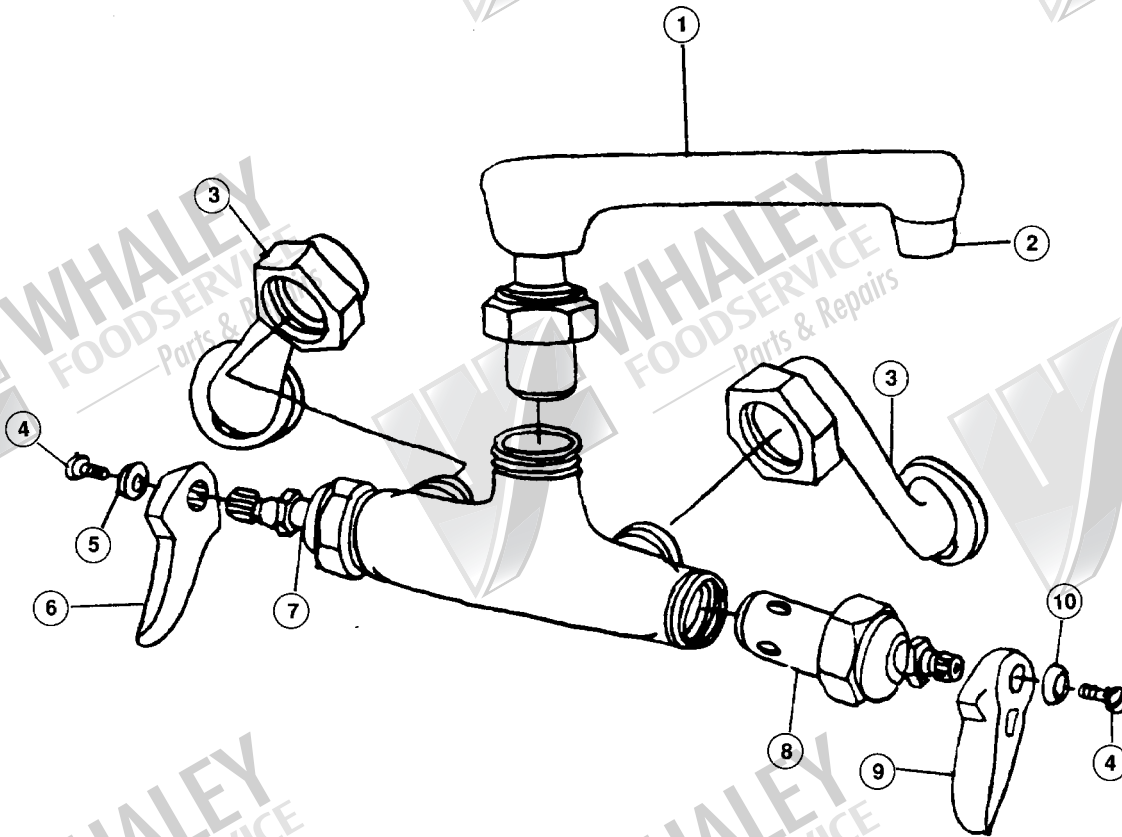
ITEM NO.	PART NO.	DESCRIPTION
7	1637-45	Lever Handle (Hot)
8	2714-40	Hot Spindle Assembly
9	2713-40	Cold Spindle Assembly
10	1636-45	Lever Handle (Cold)
11	1660-45	Index Button (Cold)



**IN A HURRY?**

Express shipping is available.

# B-243 Sink Faucet



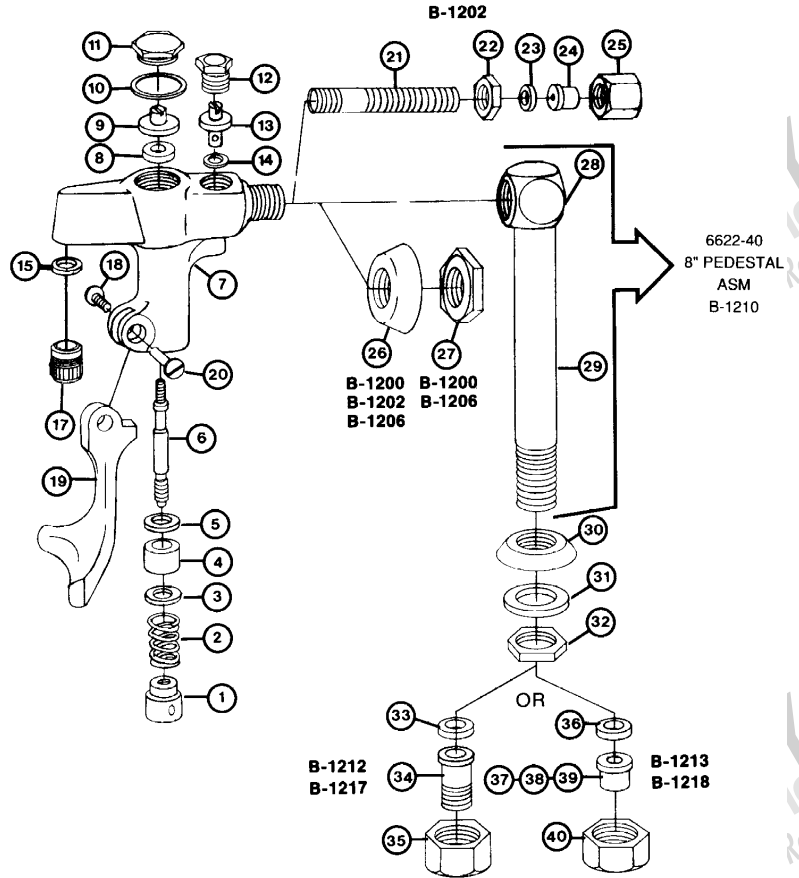
ITEM NO.	PART NO.	DESCRIPTION
1	5930-40	6" Cast Spout
2	B-0199-02	Aerator
3	5937-40	Flange Assembly (XX)
4	922-45	Handle Screw
5	1661-45	Index Button (Hot)

ITEM NO.	PART NO.	DESCRIPTION
6	1637-45	Lever Handle (Hot)
7	2714-40	Spindle Assembly (Hot)
8	2713-40	Spindle Assembly (Cold)
9	1636-45	Lever Handle (Cold)
10	1660-45	Index Button (Cold)

**WE'RE YOUR ONE STOP SHOP  
FOR ALL YOUR PARTS NEEDS!**

# Push-Back Glass Fillers

ITEM NO.	PART NO.	DESCRIPTION
1	752-25	Push Button
2	894-45	Spring
3	974-45	Brass Washer
4	1100-45	Packing
5	974-45	Brass Washer
6	826-20	Stem
7	2334-40	Body (B-1205) (Specify Model No.)
8	1094-45	Seat Washer
9	664-20	Seat Holder
10	1029-45	Binding Washer
11	623-40	Hex Cap
12	714-25	Volume Control Nut
13	834-25	Volume Control Stem
14	1031-45	Fibre Washer
15	7198-45	Washer
17	3090-45	Outlet Tip
18	3199-45	Lever Screw
19	1145-45	Lexan Arm
20	3198-45	Lever Nut
21	379-20	Nipple (Nos. 21-25 for Model B-1202)
22	716-20	Locknut
23	1032-45	Fibre Washer
24	852-20	Tail Piece (1/4" OD)
25	715-20	Coupling Nut
26	23-40	Flange (For Use on Model No. B-1200, B-1202 & B-1206)
27	713-20	Locknut (Use on Model No. B-1200 & B-1206)
28	741-40	Cube
29	425-40	Pedestal (Specify Model No. and DIM. 'D' (9", 10", 11" 12") or Other Special Lengths.)
30	24-40	Flange
31	1033-45	Washer



ITEM NO.	PART NO.	DESCRIPTION
32	2954-45	Locknut
33	1050-45	Washer
34	853-20	Tail Piece (1/4" IPS) (Use on Model No. B-1212 & B-1217)
35	961-45	Coupling Nut
36	1050-45	Washer
37	856-20	Tail Piece (1/4" OD) (Use on Model No. B-1213 & B-1218)
38	855-20	Tail Piece (3/8" OD)
39	854-20	Tail Piece (1/2" OD)
40	961-45	Coupling Nut