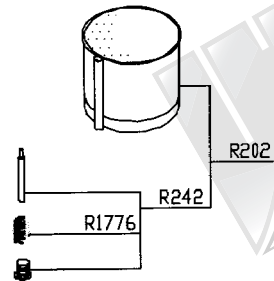
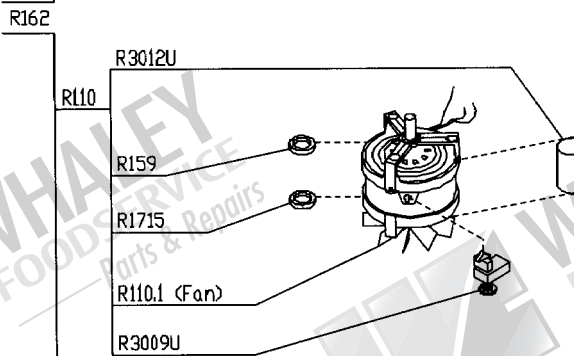
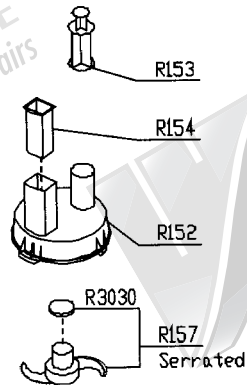
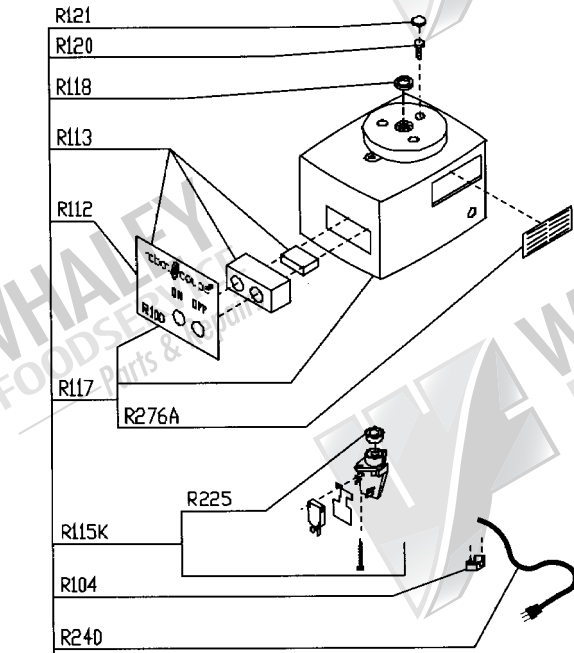
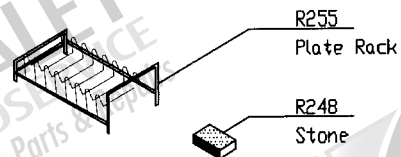


R100 Food Processor

1-Speed, 120 Volt,
1 Phase, 60 Hz., 5/16 HP
1725 RPM, 7 Amps

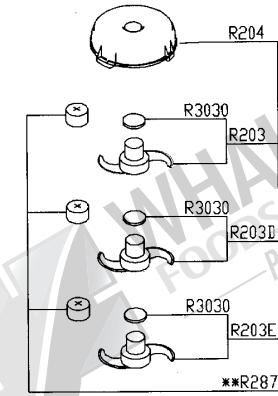
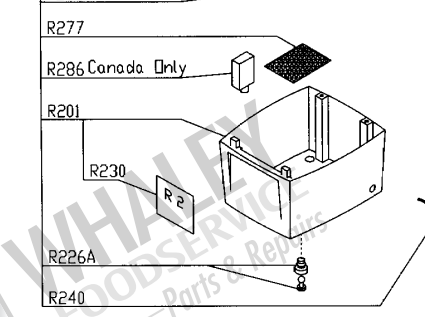
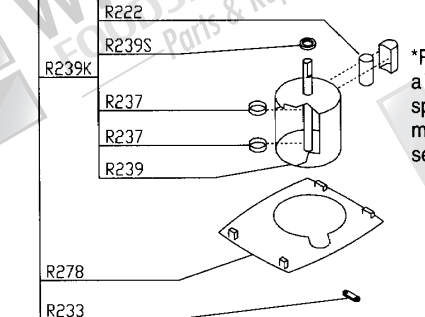
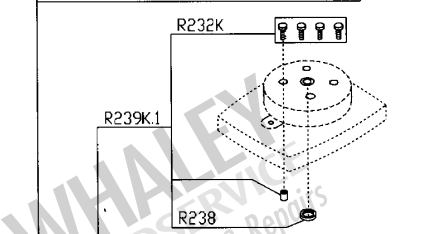
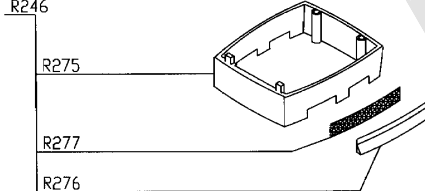
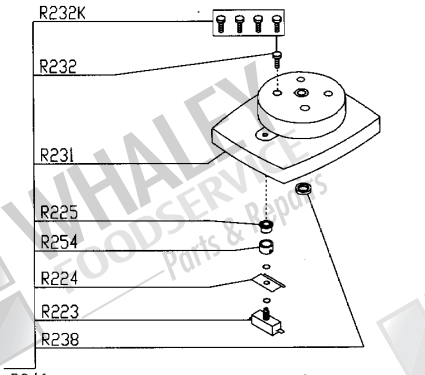
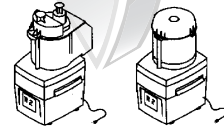


ACCESSORIES

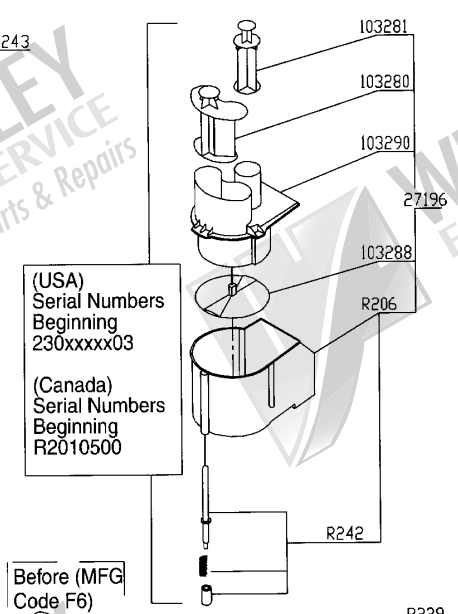
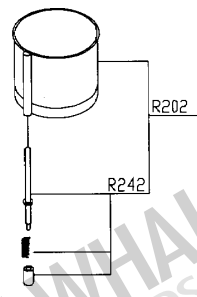


Old Style Machines: Machines with no push buttons, 1-Speed, 120 Volt 1 Phase, 60 Hz, 1/2 HP, 1725 RPM, 7Amps

R2 (Old Style) Food Processor



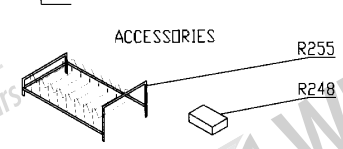
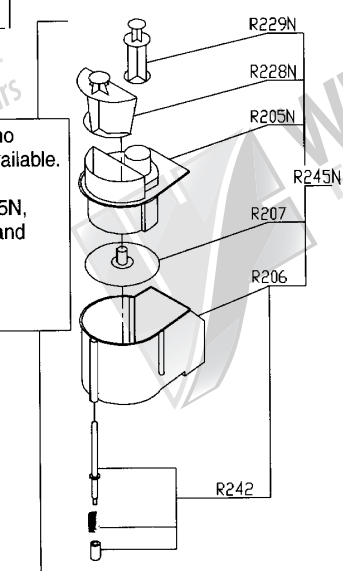
**Rubber blade seal R287 is only for machines manufactured 1993 and before.



(USA) Serial Numbers Beginning 230xxxx03
(Canada) Serial Numbers Beginning R2010500

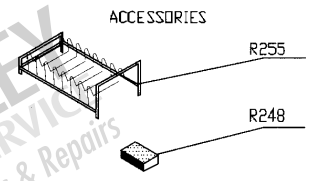
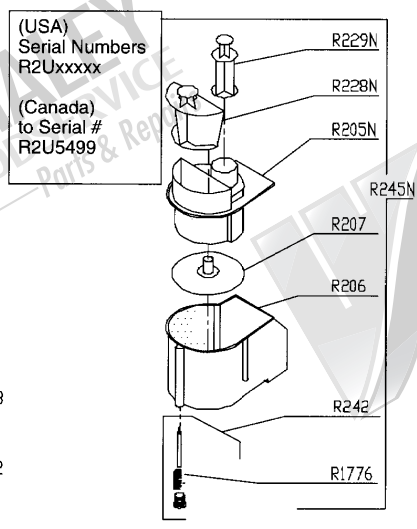
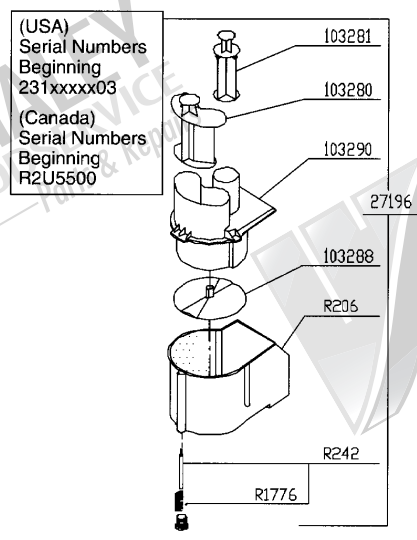
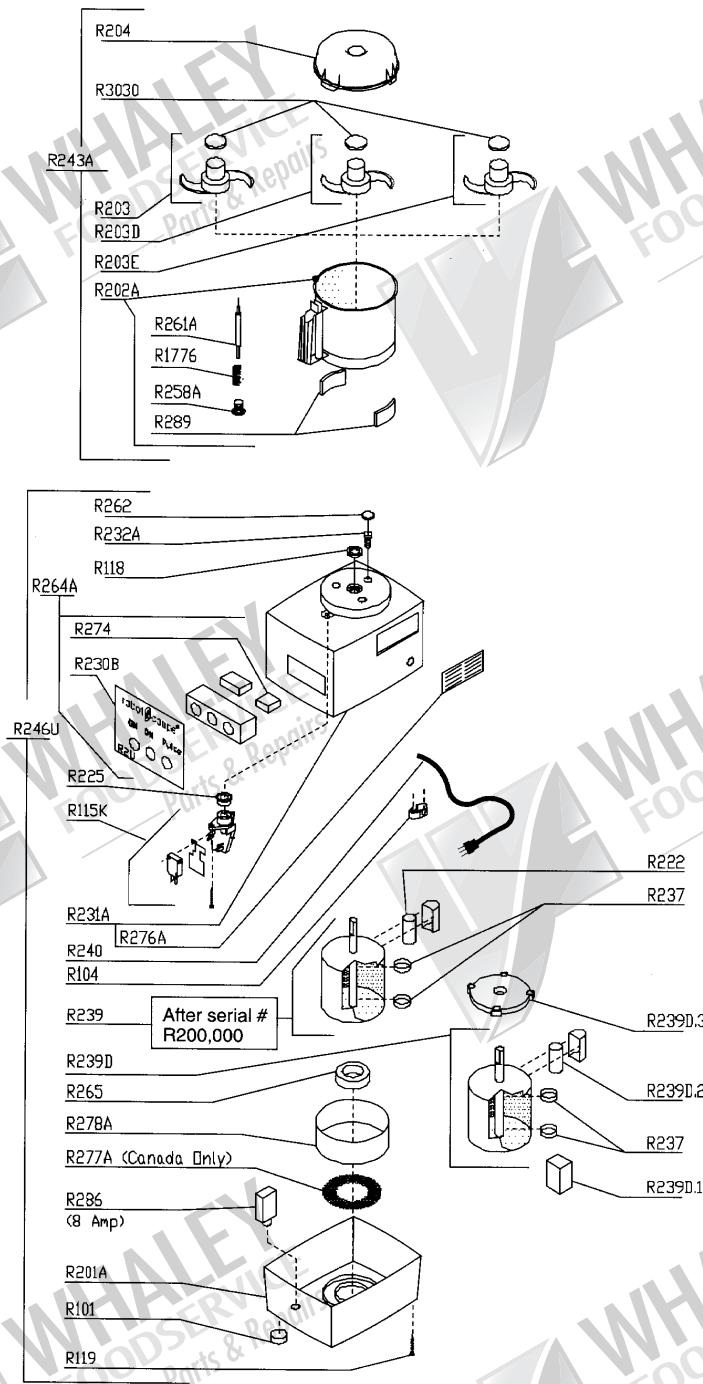
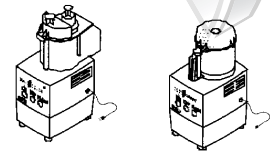
Before (MFG Code F6)

R205 is no longer available. Use R205N, R228N, and R229N.



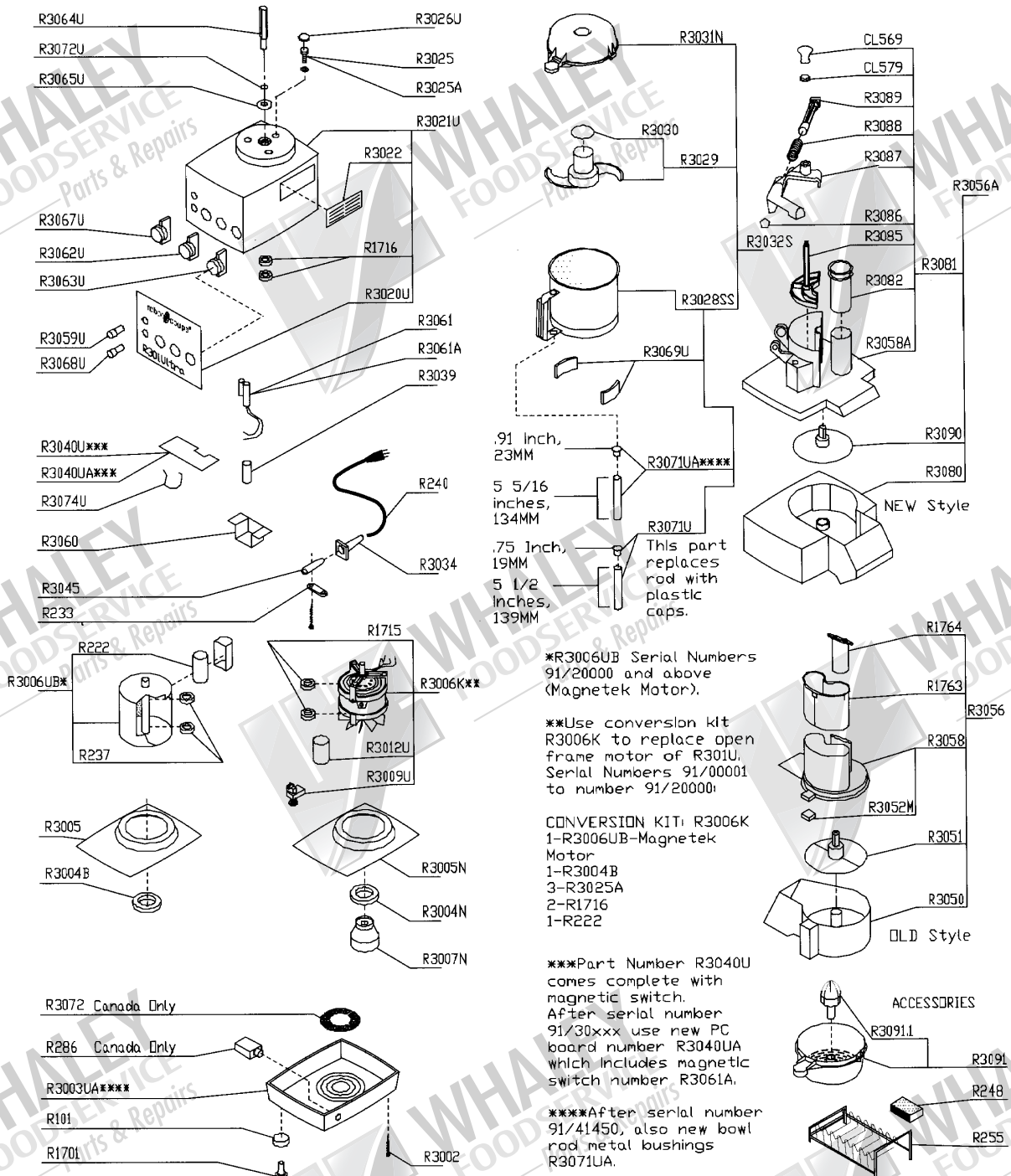
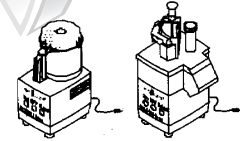
Serial Numbers R2Uxxxxx
1-Speed, 120 Volt, 1 Phase, 60 Hz
1 HP, 1725 RPM, 7 Amps

R2U Food Processor



R301U (Old Style) Food Processor

Old Style Machines:
 Serial Numbers 91/xxxxx
 1-Speed, 120 Volt, 1 Phase, 60 Hz
 1/2 HP, 1725 RPM, 7.2 Amps

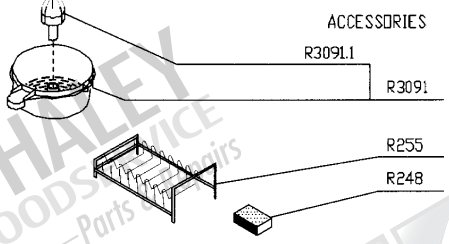
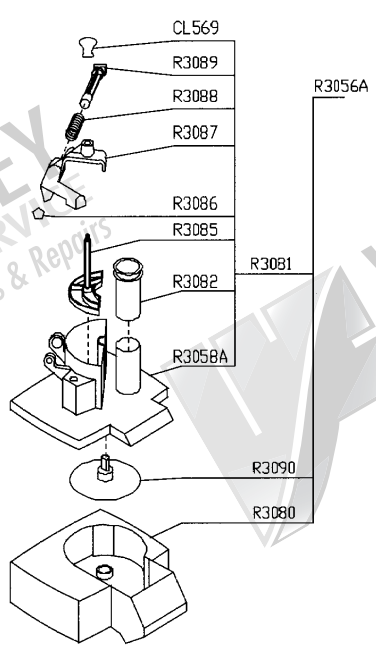
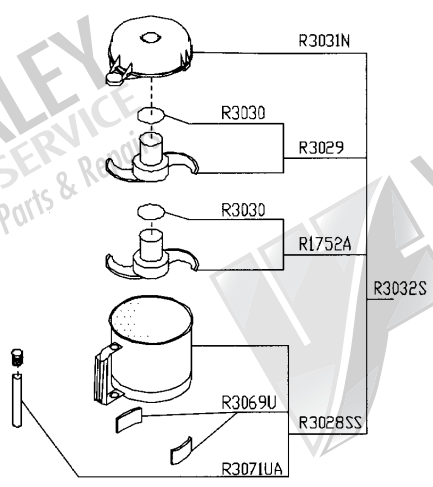
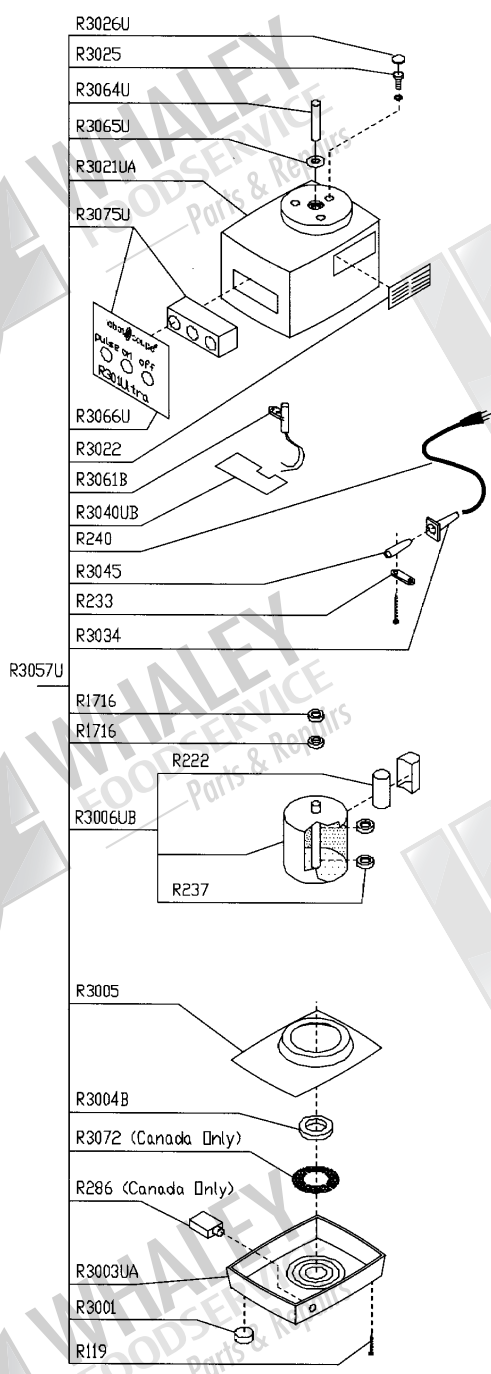
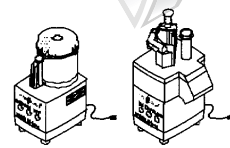


Series B Machines:
Serial Numbers 109/xxxxx and up
1-Speed, 120 Volt, 1 Phase, 60 Hz, 1/2 HP
1725 RPM, 9 Amps

R301U Series B Food Processor

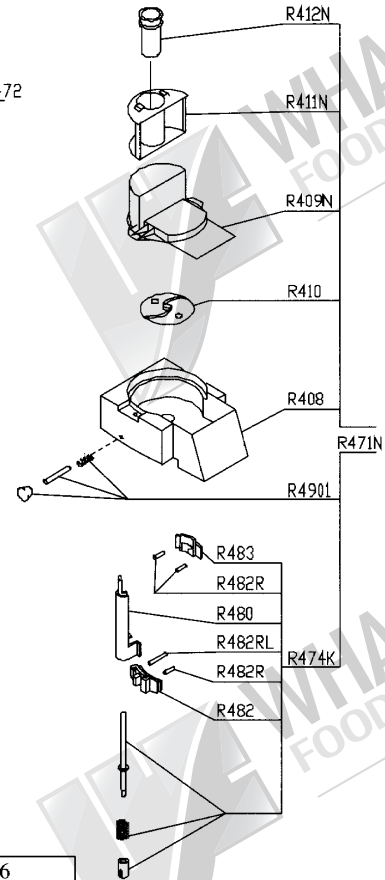
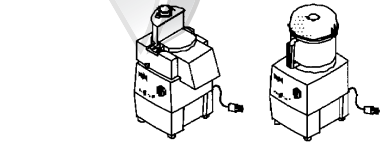
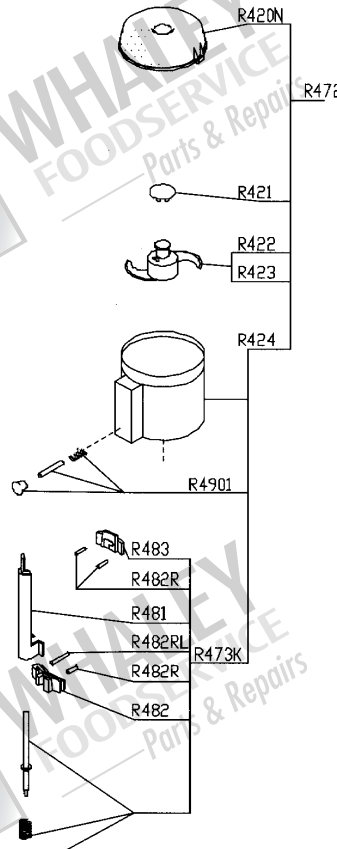
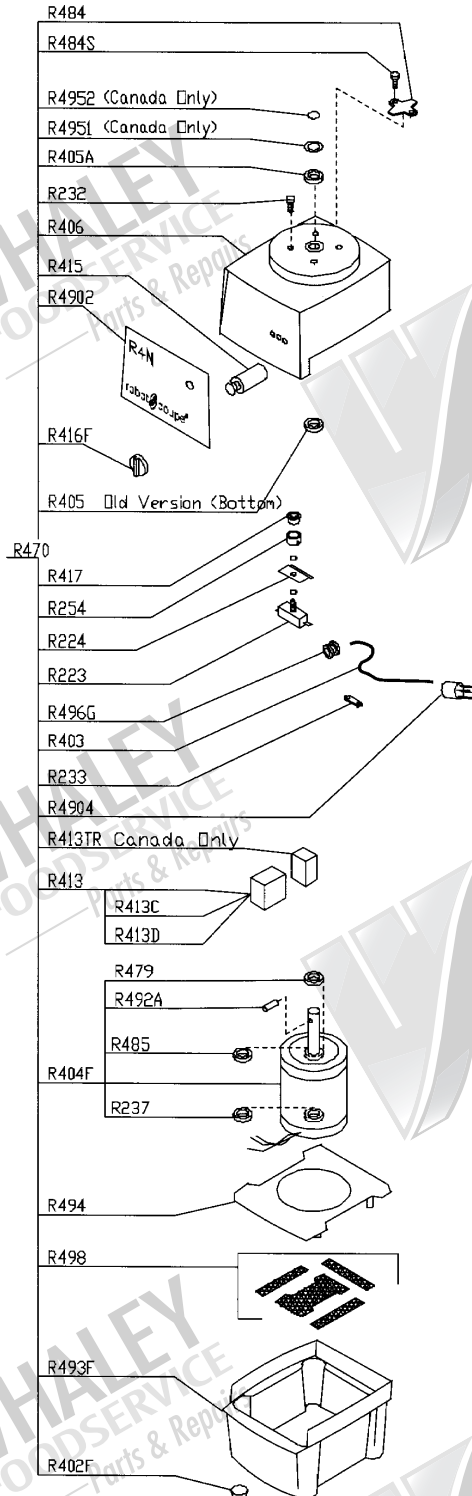
ROBOT COUPE

R301U Series B Food Processor



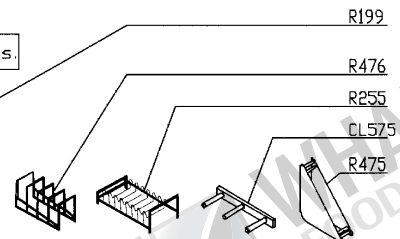
R4 Food Processor

Machines manufactured before March of 1996. Serial Numbers up to JA007125N; numbers JA007214N to JA007232N; JA007233A and above Use R Designated Plates



46
snet.com

ACCESSORIES
NOTE: Use "R" designated plates.

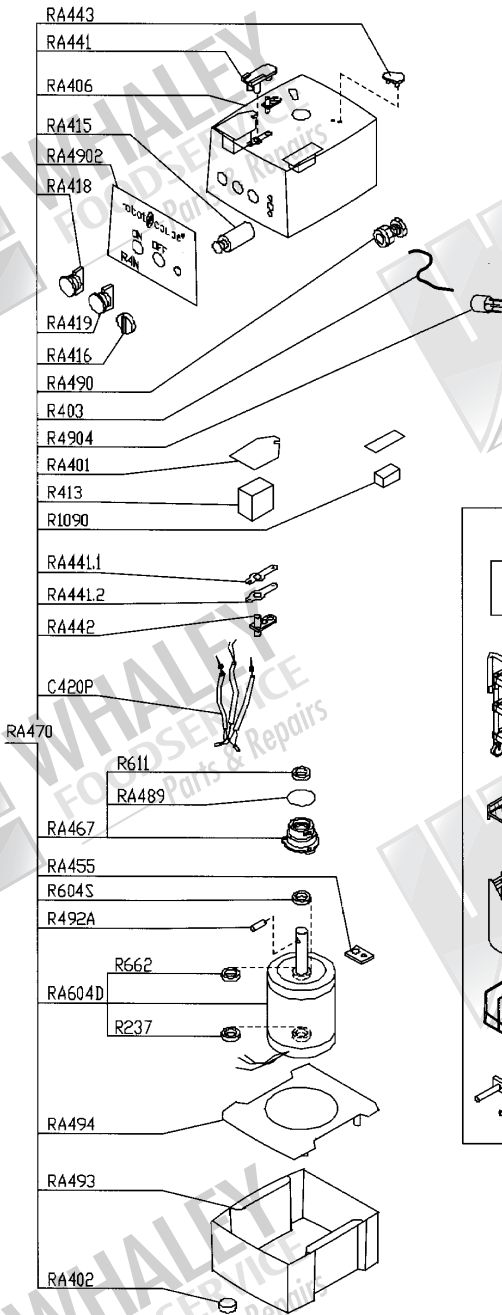


Series A: Serial Numbers JAxxxxxxA
 2-Speed, 208-240 Volt, 3 Phase
 60 Hz, 1HP, Low Speed-850 RPM
 2.6 Amps, High Speed-1725 RPM
 2.8 Amps, Use C Designated Plates

R4N Series A Food Processor

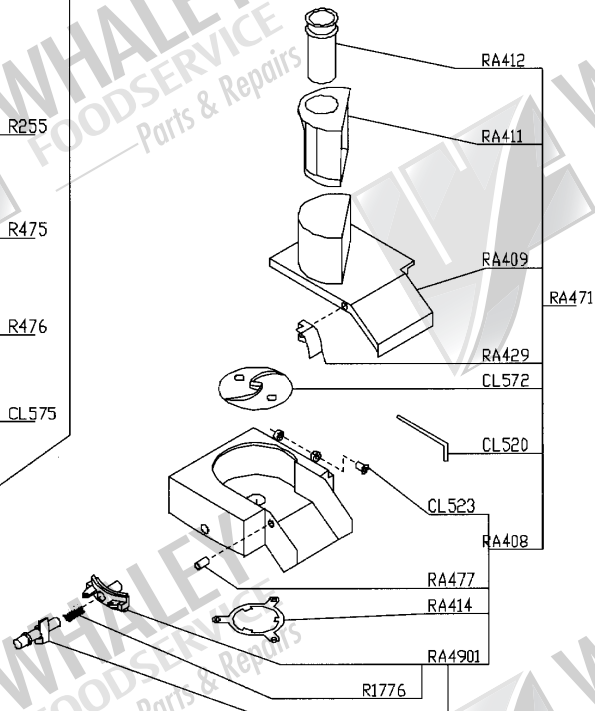
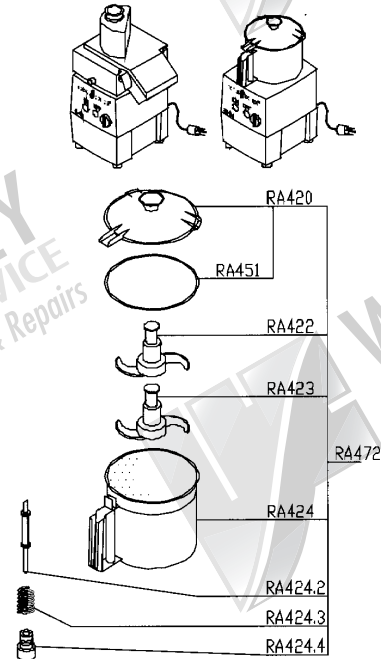
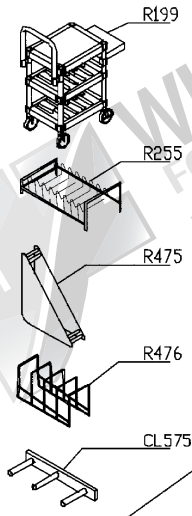
ROBOT COUPE

R4N Series A Food Processor



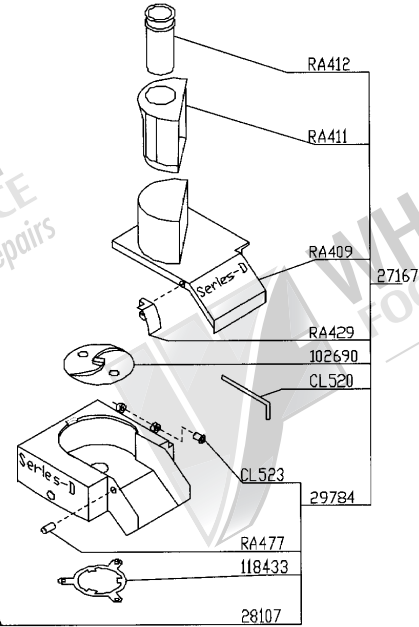
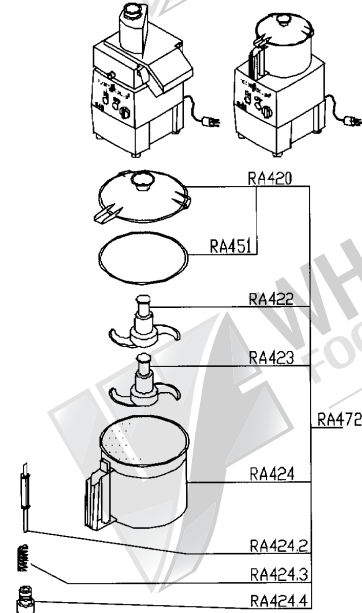
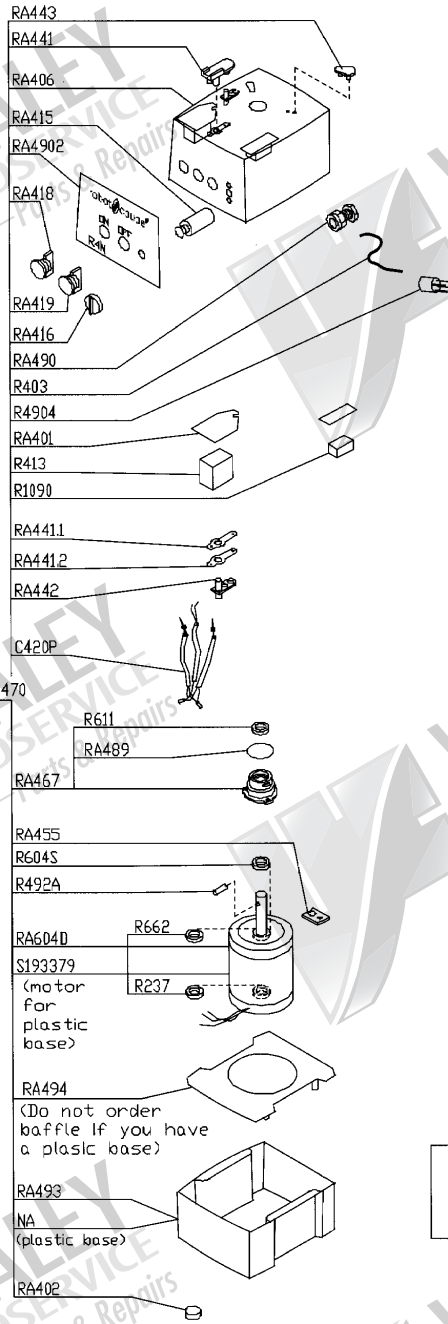
ACCESSORIES

NOTE: Use "C" designated plates.



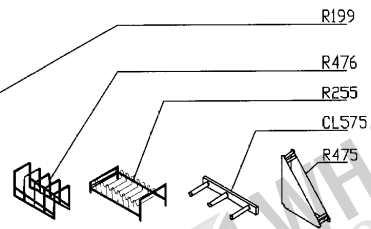
R4N Series D Food Processor

Series D: Serial Numbers 232xxxxx13 (USA) and JA500A and above (Canada), 2-Speed 208-240 Volt, 3 Phase, 60 Hz, 1HP
 Low Speed-850 RPM, 2.6 Amps
 High Speed-1725 RPM, 2.8 Amps
 Use Series-D Plates



Use only cutting plates listed on the "Series D" Chart.

ACCESSORIES

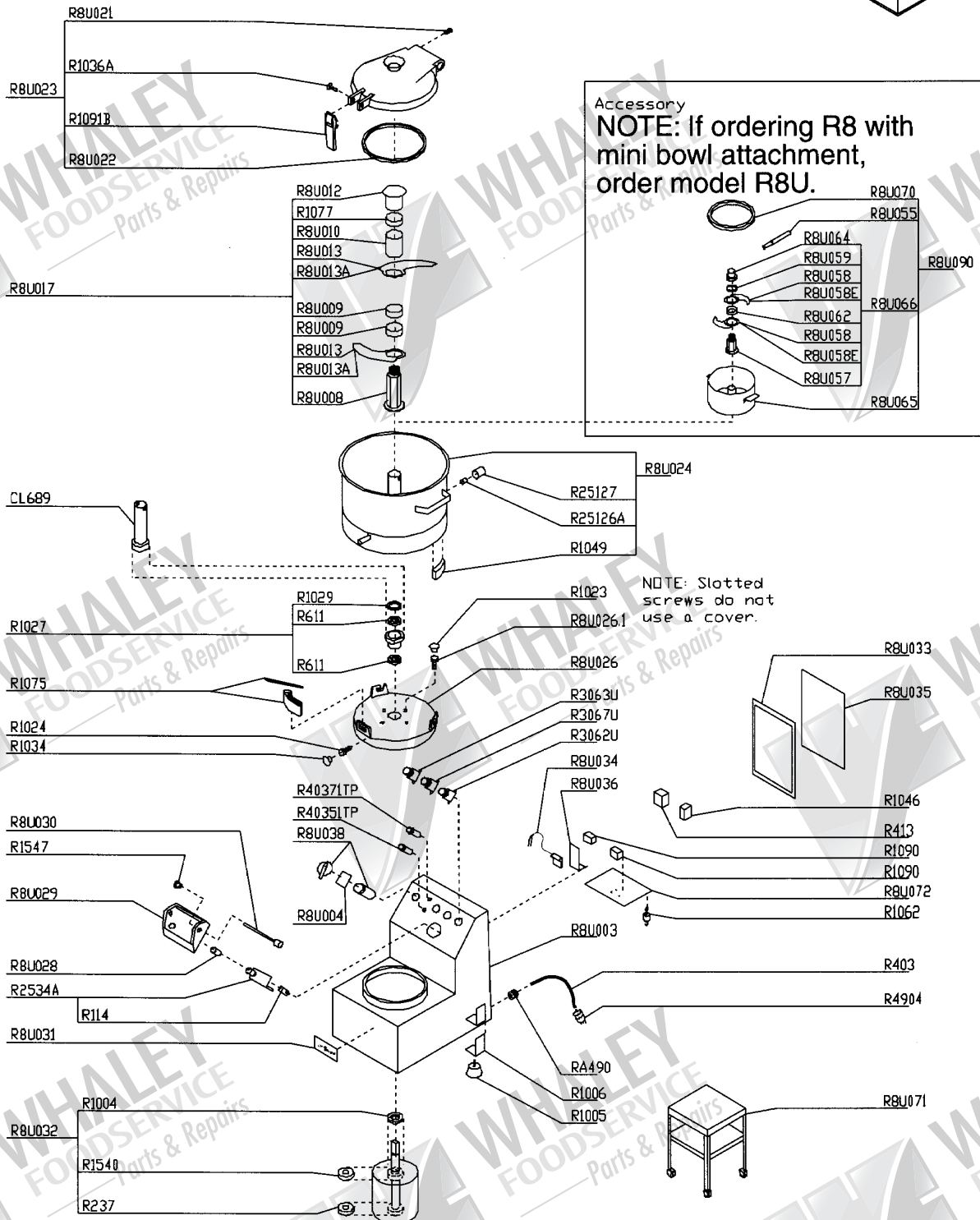
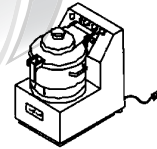


2-Speed, 208-240 Volt, 3 Phase, 60Hz,
 Low Speed-1725 RPM, 8.2 Amp, 2.0 HP
 High Speed-3450 RPM, 8.3 Amp, 3.0 HP

R8 Food Processor

ROBOT COUPE

R8 Food Processor



R8U Food Processor

2-Speed, 208-240 Volt, 3 Phase, 60 Hz,
 Low Speed-1725 RPM, 8.2 Amp, 2.0 HP
 High Speed-3450 RPM, 8.3 Amp, 3.0 HP

