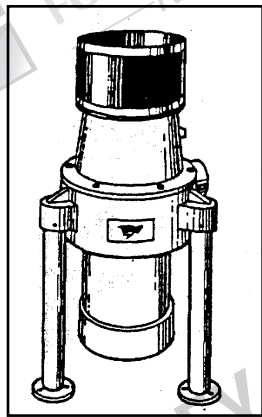
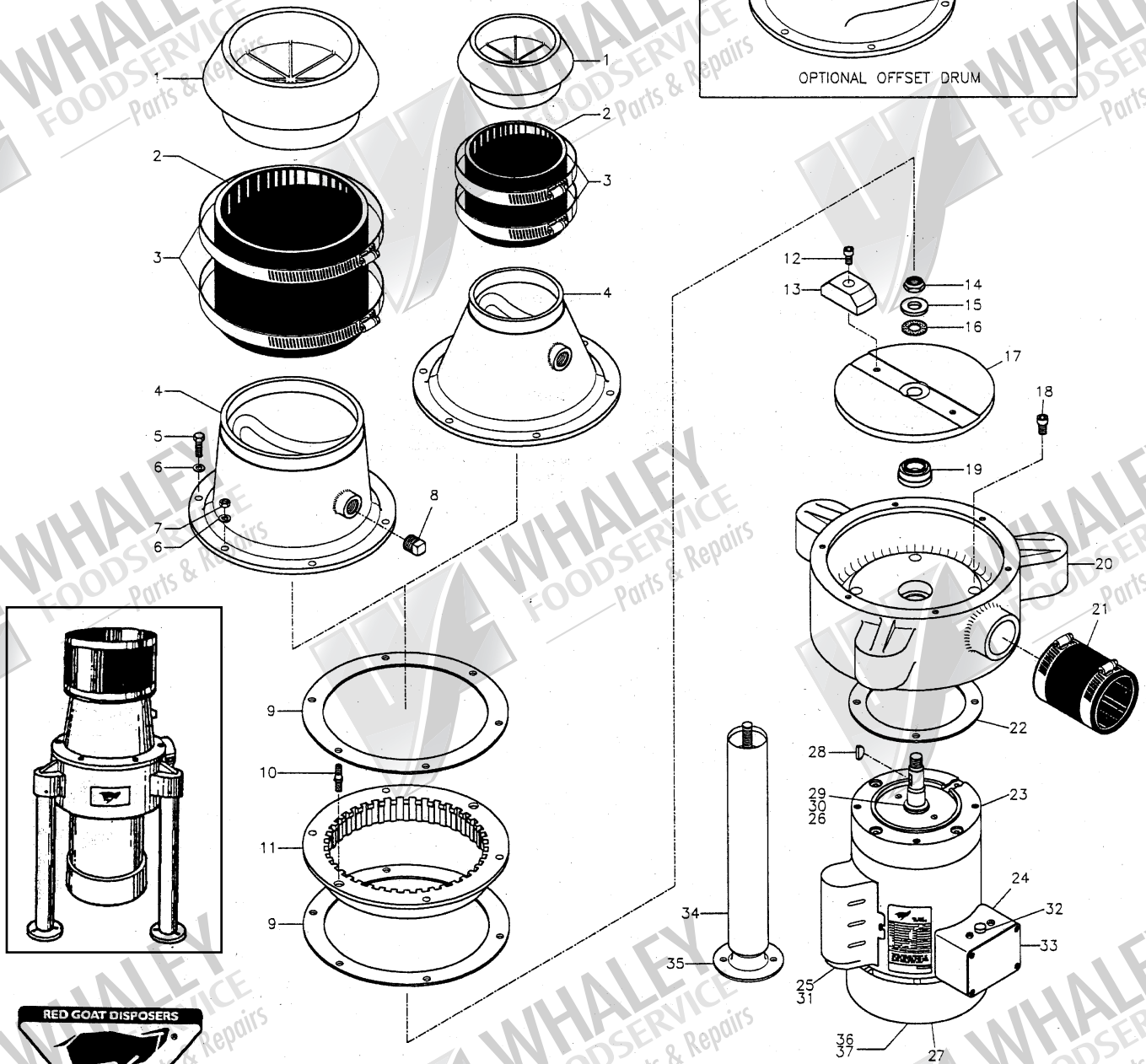
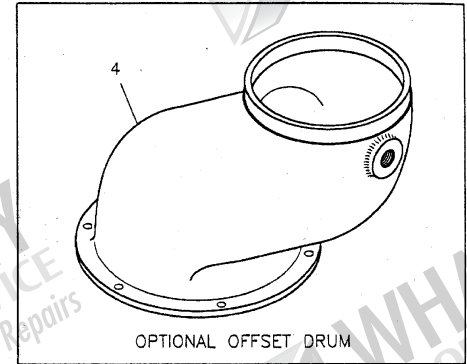


# A Series Disposers

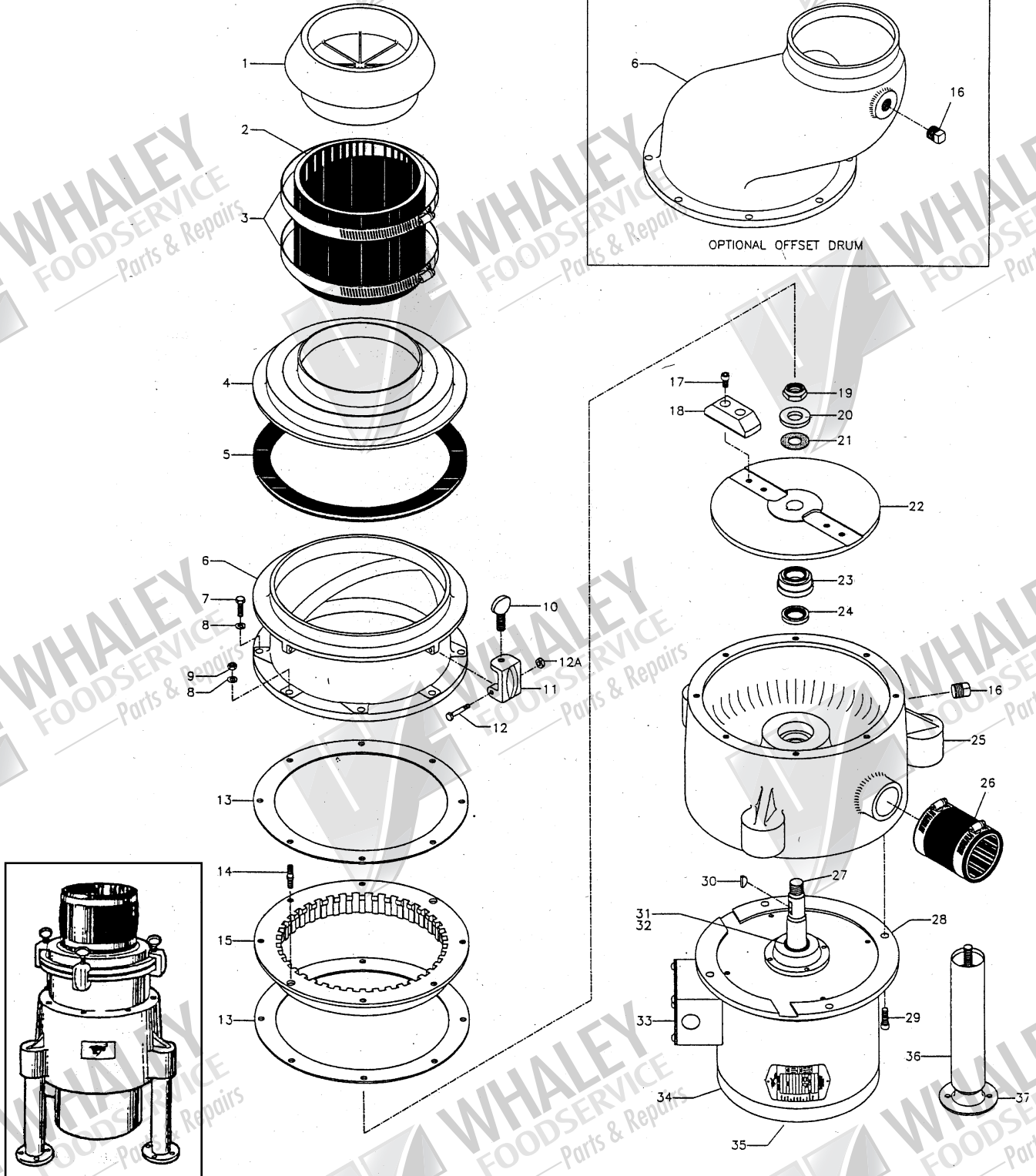
★ Call for Pricing on New Unit!



ITEM NO.	PART NO.	DESCRIPTION
▶ NOTE: * For female-threaded motor shafts only		
1	06-HA-ST4	Silver Saver: 4-1/2"
	06-ABC-ST7	Silver Saver: 7"
2	06-A-818	Connector Sleeve: 4-1/2" Dia. x 8"
	06-A-414	Connector Sleeve: 3-1/2" Dia. x 4"
	06-ABC-834	Connector Sleeve: 7" Dia. x 8"
	06-ABC-434	Connector Sleeve: 7" Dia. x 4"
3	08-A-19	Clamp: Connector Sleeve 4-1/2" (2 qty.)
	08-ABC-33	Clamp: Connector Sleeve 7" (2 qty.)
4	51-A-11AS	Drum: 4-1/2" Throat
	51-A-11S	Drum: 7" Throat
	51-A-81	Offset Drum: 7" Throat
5	08-HA-22	Screw: HX HD 5/16-18 x 1, SS (4 qty.)
6	08-HA-311	Washer: Lock Split 5/16 (7 qty.)
7	08-HA-17	Nut: Hex. 5/16-18 (2 qty.)
8	10-5-27	Pipe Plug: 1/2"
9	07-A-10	Gasket: Sizing Ring (2 qty.)
10	08-HA-16	Centering Stud (2 qty.)
11	30-A-9	Sizing Ring
12	08-5-24	Screw: SK HD 3/8-16 x 3/4 Nylock SS (6 qty.)
13	30-A-27	Impact Bar (2 qty.)
14	08-6-276	Nut: Hex Jam Nylock, 5/8-18, SS
15	08-6-277	Washer: Flat, HD, 5/8 x .134 Thk
16	07-6-98	Gasket: Turntable Mounting
17	51-A-1	Rotor
	30-A-1	Rotor Assembly: With Impact Bars (Includes: 12, 13 & 17)
18	08-5-24	Screw: SK HD 3/8-16 x 3/4 Nylock SS (4 qty.)
19	07-HA-83	Cartridge Seal
	04-HA-263	Installation Tool: HA Cartridge Seal
20	30-A-1141	Base Assembly (Includes Seals Installed)
21	06-5-851	Drain Coupling: 'A' & 'B' Series
22	07-HA-5	Gasket: Motor/Base
<b>23</b>	<b>30-A-435</b>	<b>Motor: 1.5HP, 1PH (Includes: 14-16 &amp; 23)</b>
24	02-MC-6070	Thermal Protector: #CEJ38CA
25	02-A-477	Capacitor: 460-552MF, 120V
	02-A-476	Capacitor: 17.5MF, 240V
26	02-5-400	Bearing: #205
27	08-SM-1219	Bearing: #203
<b>23</b>	<b>30-A-436</b>	<b>Motor: 1.5HP, 3PH (Includes: 14-16 &amp; 23)</b>
24	02-A-462	Thermal Protector: #MWJ57KB
26	02-5-400	Bearing: #205
27	08-SM-1219	Bearing: #203
<b>23</b>	<b>30-A-480</b>	<b>Motor: 2HP, 1PH (Includes: 14-16 &amp; 23)</b>
24	02-5-486	Thermal Protector: #BEJ44DB

ITEM NO.	PART NO.	DESCRIPTION
25	02-A-332	Capacitor: 590-708MF, 120V
	02-5-487	Capacitor: 50MF, 240V
26	02-5-400	Bearing: #205
27	08-SM-1219	Bearing: #203
<b>23</b>	<b>30-A-480</b>	<b>Motor: 2HP, 3PH (Includes: 14-16 &amp; 23)</b>
24	02-A-463	Thermal Protector: #CWJ54KF
26	02-5-400	Bearing: #205
27	08-SM-1219	Bearing: #203
<b>23</b>	<b>30-A-438</b>	<b>Motor: 3HP, 3PH (Includes: 14-16 &amp; 23)</b>
24	02-5-464	Thermal Protector: #BYJ36KF
26	02-5-400	Bearing: #206
27	08-SM-1418	Bearing: #204
<b>23</b>	<b>30-A-481</b>	<b>Motor: 5HP, 3PH (Includes: 14-16 &amp; 23)</b>
24	02-A-488	Thermal Protector: #BYJ32KB
26	02-BC-401	Bearing: #206
27	08-SM-1418	Bearing: #204
28	08-HA-282	Key, Woodruff: #606
29	02-HA-521	V-Ring Seal
30	02-HA-522	Seal: Motor Shaft, 'H' & 'A' Series
31	02-HA-508	Capacitor Housing
32	06-5-505	Rubber Boot: Thermal Protector
33	30-HA-506	Conduit Box Assembly
34	09-A-928	Leg Assembly With Foot: 2" x 13.5, SS (3 qty.)
35	09-ABC-930	Foot, Flanged: SS
36	02-HA-520	Clamp: Fan
37	02-H-466	Fan, Ext: Leeson 145 Frame
	02-A-474	Fan: Leeson 180 Frame
38	02-H-467	Fan Guard: Leeson 145 Frame
	02-A-473	Fan Guard: Leeson 180 Frame
	40-A-500	A — Complete Renewal Kit (Through Serial No.: 053185A02)
	40-A-503	A — Complete Renewal Kit (Serial No.: 060185H01 FWD)
	40-A-1A	A — Rotor Kit
	40-A-9A	A — Sizing Ring Kit
	40-HA-507	H — Motor Seal Kit (Serial No.: 030185H01 FWD)
	40-HA-12A	H/A — Motor Seal Kit (Through Serial No.: 053185A02)
*	08-HA-23	Screw: HX HD 5/16 x 3/4 SS HS Nylock
*	09-HA-2	Coverplate
*	07-HA-3	Gasket: Coverplate
*	02-HA-100	Key

# B Series Disposers



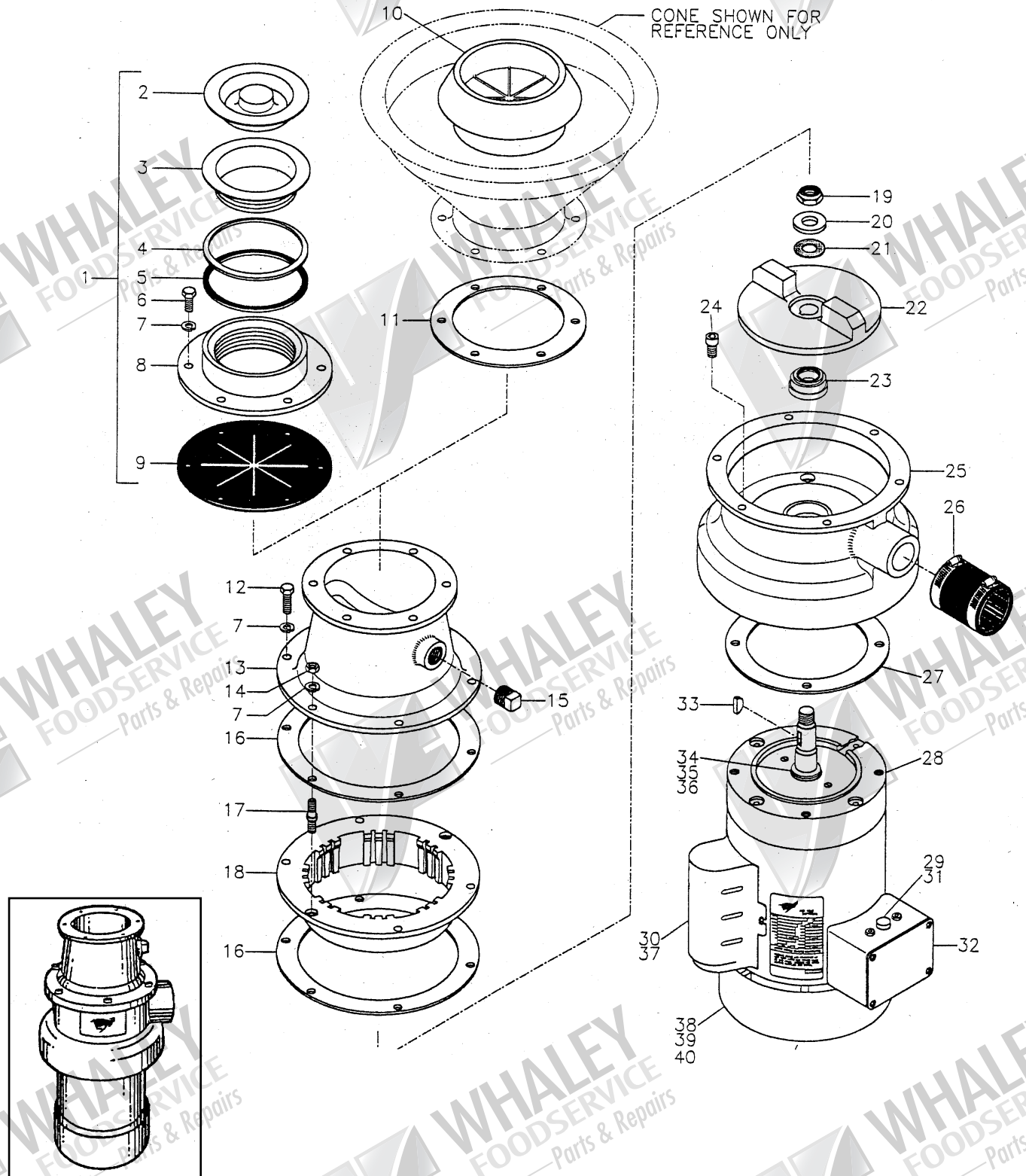
ITEM NO.	PART NO.	DESCRIPTION
► NOTE: * For female-threaded motor shafts only		
1	06-ABC-ST7	Silver Saver: 7"
2	06-ABC-834	Connector Sleeve: 7" Dia. x 8"
	06-ABC-434	Connector Sleeve: 8" Dia. x 4"
3	08-ABC-33	Clamp: Connector Sleeve 7" (2 qty.)
4	01-B-36L	Lid, 7" Aluminum
5	07-B-39	Gasket: Lid
6	51-B-36	Drum
	51-B-80	Offset Drum
	30-B-36	Drum Assembly (Includes: 6 & 10-12)
7	08-BC-71	Screw: HX HD 3/8-16 x 1-1/2 (6 qty.)
8	08-BC-312	Washer: Lock Split 3/8" (13 qty.)
9	08-BC-1029	Nut: Hex 3/8-16 (6 qty.)
10	08-BC-67	Thumbscrew: Lid Clamp (4 qty.)
11	51-BC-65	Lid Clamp (4 qty.)
12	08-BC-285	Screw: HX HD 3/8-16 x 1-1/2 (4 qty.)
12A	08-BC-286	Nut: Hex Nylock, 1/4 x 20, SS (4 qty.)
13	07-B-32	Gasket: Sizing Ring (2 qty.)
14	08-BC-1028	Centering Stud (2 qty.)
15	30-B-31	Sizing Ring
16	10-5-27	Pipe Plug: 1/2"
17	08-5-24	Screw: SK HD 3/8-16 x 3/4 Nylock SS (4 qty.)
18	30-B-6	Impact Bar (2 qty.)
19	08-6-280	Nut: Hex Jam Nylock, 7/8 x-14, SS
20	08-6-281	Washer: Flat, HD, 7/8 x .134 THK
21	07-BC-99	Gasket: Turntable Mounting
22	51-B-1	Rotor
	30-B-1	Rotor Assembly: With Impact Bars (Includes: 17, 18 & 22)
23	07-BC-84	Cartridge Seal
	04-BC-264	Installation Tool: BC Cartridge Seal
24	07-B-84	Lip Seal
25	30-B-1142	Base Assembly: Includes Seals Installed
26	06-5-851	Drain Coupling: 'A' & 'B' Series

ITEM NO.	PART NO.	DESCRIPTION
27	30-B-141	Motor: 3HP, 3PH (Includes: 19-21 & 28)
	02-B-471	Rotor & Shaft Assembly: 3HP Baldor
	30-BC-151	Motor: 5HP, 3PH (Includes: 19-21 & 28)
	02-BC-470	Rotor & Shaft Assembly: 5HP Baldor
	30-BC-161	Motor: 7.5HP, 3PH (Includes: 19-21 & 28)
	02-BC-469	Rotor & Shaft Assembly: 7.5HP Baldor
	30-C-171	Motor: 10HP, 3PH (Includes: 19-21 & 28)
	02-C-468	Rotor & Shaft Assembly: 10HP Baldor
28	02-BC-472	End Plate, Upper: Baldor 3-10HP
29	08-BC-72	Screw: Socket HD 3/8-16 x 1 (4 qty.)
30	08-BC-283	Key, Woodruff: #808
31	07-B-14	Lip Seal
32	02-BC-403	Bearing: #306
33	30-BC-473	Conduit Box Assembly: Baldor
34	02-BC-465	End Plate, Lower: Baldor 3-10HP
35	02-BC-401	Bearing: #206
36	09-BC-917	Leg Assembly With Foot: 2" x 9.6, SS (3 qty.)
37	09-ABC-930	Foot, Flanged: SS (3 qty.)
	40-B-501	B — Complete Renewal Kit (Serial No.: 060185B01 FWD)
	40-B-500	B — Complete Renewal Kit (Through Serial No.: 053185B05)
	40-B-1A	B — Rotor Kit (Includes: 17-22)
	40-B-31A	B — Sizing Ring Kit (Includes: 8, 9 & 13-15)
	40-B-502	B — Motor Seal Kit (Includes: 23 & 24) (Serial No.: 060185B01 FWD)
	40-B-12A	B — Motor Seal Kit (Through Serial No.: 053185B05)
*	08-BC-25	Screw: HX HD 3/8-16 x 1 SS HS, Nylock
*	09-B-4	Coverplate
*	07-B-5	Gasket: Coverplate
*	02-BC-200	Key



**CALL FOR PRICING ON A NEW UNIT!**

# H Series Disposers



ITEM NO.	PART NO.	DESCRIPTION
► NOTE: * For female-threaded motor shafts only		
1	30-H-RSA	RSA Head Assembly (Includes: 2-9)
2	06-H-8	Sink Stopper: 'H' Series RSA
3	27-H-15	Sink Mount: Threaded
4	07-H-19	Gasket: RSA Rubber
5	07-H-20	Gasket: RSA Fiber
6	08-H-21	Screw: HX HD 5/16-18 x 3/4 (6 qty.)
7	08-HA-311	Washer: Lock Split 5/16 (13 qty.)
8	51-H-17	RSA Head
9	07-H-18	Gasket: Splash Guard
10	06-HA-ST4	Silver Saver: 4-1/2"
11	07-H-34	Gasket: 'H' Series Cone
12	08-HA-22	Screw: HX HD 5/16-18 x 1, SS (4 qty.)
13	51-H-12LD	Drum
14	08-HA-17	Nut: Hex. 5/16-18 (2 qty.)
15	10-5-27	Pipe Plug: 1/2"
16	07-H-10	Gasket: Sizing Ring (2 qty.)
17	08-HA-16	Centering Stud (2 qty.)
18	30-H-9D	Sizing Ring
19	08-6-276	Nut: Hex. Jam Nylock, 5/8-18, SS
20	08-6-277	Washer: Flat, HD, 5/8 x .134 Thk
21	07-6-98	Gasket: Turntable Mounting
22	30-H-1D	Rotor: With Cast-On Impact Bars
23	07-HA-83	Cartridge Seal
	04-HA-263	Installation Tool: HA Cartridge Seal
24	08-5-24	Screw: SK HD 3/8-16 x 3/4, Nylock SS (4 qty.)
25	30-H-1140	Base Assembly (Includes: Seals Installed)
26	06-5-849	Drain Coupling: 'H' Series
27	07-HA-5	Gasket: Motor/Base
<b>28</b>	<b>30-H-433</b>	<b>Motor: 1.25HP, 1PH (Includes: 19-21 &amp; 28)</b>
29	02-HA-459	Thermal Protector: #CEJ50CA
30	02-MC-7500	Capacitor: 540-648MF, 120V
31	06-5-505	Rubber Boot: Thermal Protector
32	30-HA-506	Conduit Box Assembly
33	08-HA-282	Key, Woodruff: #606
34	02-HA-521	V-Ring Seal

ITEM NO.	PART NO.	DESCRIPTION
35	02-HA-522	Seal: Motor Shaft, 'H' & 'A' Series
36	02-5-400	Bearing: #205
37	02-HA-508	Capacitor Housing
38	02-HA-520	Clamp: Fan
39	02-H-466	Fan, Ext: Leeson 145 Frame
40	02-H-467	Fan Guard: Leeson 145 Frame
41	08-SM-1219	Bearing: #203
<b>28</b>	<b>30-H-434</b>	<b>Motor: 1.25HP, 3PH (Includes: 19-21 &amp; 28)</b>
29	02-HA-460	Thermal Protector: #MWJ64KB
28	30-H-435	Motor: 1.5HP, 1PH (Includes: 19-21 & 28)
29	02-MC-6070	Thermal Protector: #CEJ38CA
30	02-A-477	Capacitor: 460-552MF, 120V
	02-A-476	Capacitor: 17.5MF, 240V
<b>28</b>	<b>30-A-436</b>	<b>Motor: 1.5HP, 3PH (Includes: 19-21 &amp; 28)</b>
29	02-A-462	Thermal Protector: #MWJ57KB
28	30-A-480	Motor: 2HP, 1PH (Includes: 19-21 & 28)
29	02-A-463	Thermal Protector: #CWJ54KF
30	02-A-332	Capacitor: 590-708MF, 120V
	02-5-487	Capacitor: 50MF, 240V
<b>28</b>	<b>30-A-437</b>	<b>Motor: 2HP, 3PH (Includes: 19-21 &amp; 28)</b>
29	02-5-486	Thermal Protector: #BEJ44DB
	40-H-504	H — Complete Renewal Kit (Serial No.: 060185H01 FWD)
	40-H-500	H — Complete Renewal Kit (Through Serial No.: 053185H29)
	40-H-1DA	H — Rotor Kit (Includes: 19-22)
	40-HD-9DA	H — Sizing Ring Kit (Includes: 7-14 & 16-18)
	40-HA-507	H — Motor Seal Kit (Includes: 23 & 27) (Serial No.: 060185H011 FWD)
	40-HA-12A	H/A — Motor Seal Kit (Through Serial No.: 053185H29)
*	08-HA-23	Screw: HX HD 5/16 x 3/4 SS HS Nylock
*	09-HA-2	Coverplate
*	07-HA-3	Gasket: Coverplate
*	02-HA-100	Key



**CALL FOR PRICING ON A NEW UNIT!**