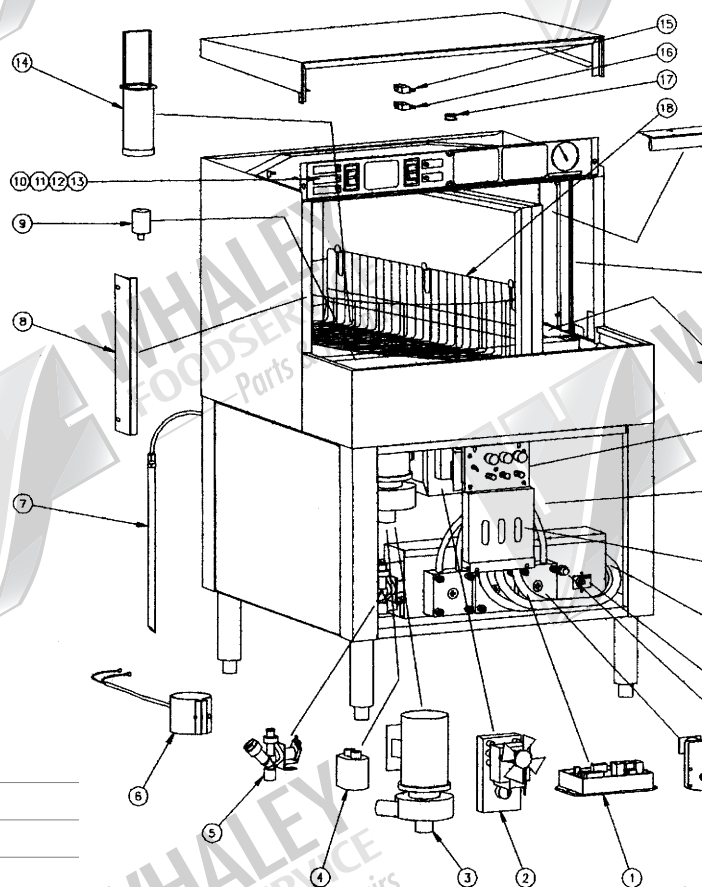


Glass Washer



ITEM NO.	PART NO.	DESCRIPTION
1	50567	Glasswasher Control
2	52536	Spray Arm Drive Motor
3	50445	Wash Pump
4	52528	Pump Motor Capacitor
5	52652-1	Water Inlet Valve
6	52669-1	Band Heater
7	52626A-B	Rinse Aid Pickup Tube Assembly
	52626A-R	Detergent Pickup Tube Assembly
	52626A-W	Sanitizer Pickup Tube Assembly
8	52696	Divider Side Seal
9	R54978-1	Wash Water Level Switch
10	55003-1	Start/Wash Switch
11	55004-1	Power/Drain (On/Off/Drain) Switch
12	54809	Red Light
13	54810	Amber Light
14	52492	Wash Tank Filter
15	54995-1	Safety Switch — 250" Quick Connect
16	54996-1	Safety Switch — 187" Quick Connect
17	C12698-1	Roller Bearing for Divider Lock
18	50470-2	Glass Rack
19	52692	Top Divider Seal

ITEM NO.	PART NO.	DESCRIPTION
20	50588	Top Wash Tank Screen
21	50453	Chemical System Control Board
22	50451	Drain Valve
23	52714	Chemical System Sight Tube Kit
24	52566A	Transformer
25	54153A	Temperature Control
26	R54938-1	Fuse Holder With 23 Amp Fuse
27	52537	Chemical Pump Gear Motor
	54976	Chemical Bulkhead Fittings
	54790	Amber Chemical Sight Tube Light
	54965-1	Flat Strainer
	R54900-1	Clean-out Plugs for Spray Arms
	50248-5	1/4" ID Chemical Pump Squeeze Tube
	50248-8	3/16" ID Chemical Pump Squeeze Tube
	50248-7	1/8" ID Chemical Pump Squeeze Tube
	R54965	Seal Kit

Back Bar



Parts for All Model Back Bar Cabinets

PART NO.	DESCRIPTION
C31158	Left Door Hinge Kit
C31159	Right Door Hinge Kit
C22304-2	Left Shelf
C22307-2	Bottom Left Shelf
C22306-2	Center Shelf
C22305-2	Right Shelf
C15875	Shelf Clip
58237-1	Light Bulb Guard
57243-1	Light Switch
C23634	Lamp Holder
58237-1	Light Bulb Guard
C15724-1	Condensate Heater

Parts for All 37" and 32" Self-Contained Back Bar Cabinets

37" MODEL PART NO.	32" MODEL PART NO.	DESCRIPTION
C21406L	C29361L	Left Hinged Door — Laminated
C21405LSS	C29363LSS	Left Hinged Door — SS
C21404L	C29362L	Left Hinged Door — Field Laminated
C21406R	C29361R	Right Hinged Door — Laminated
C21405RSS	C29363RSS	Right Hinged Door — SS
C21404R	C29362R	Right Hinged Door — Field Laminated
C19000-1	C19000-1	Top/Bottom Breaker Strip Assembly
C18992-1	C25166-1	Vinyl Door Gasket
58459	58613	Right Vertical Breaker Assembly With Switch
C18999-1	C25208-1	Vertical Breaker Strip

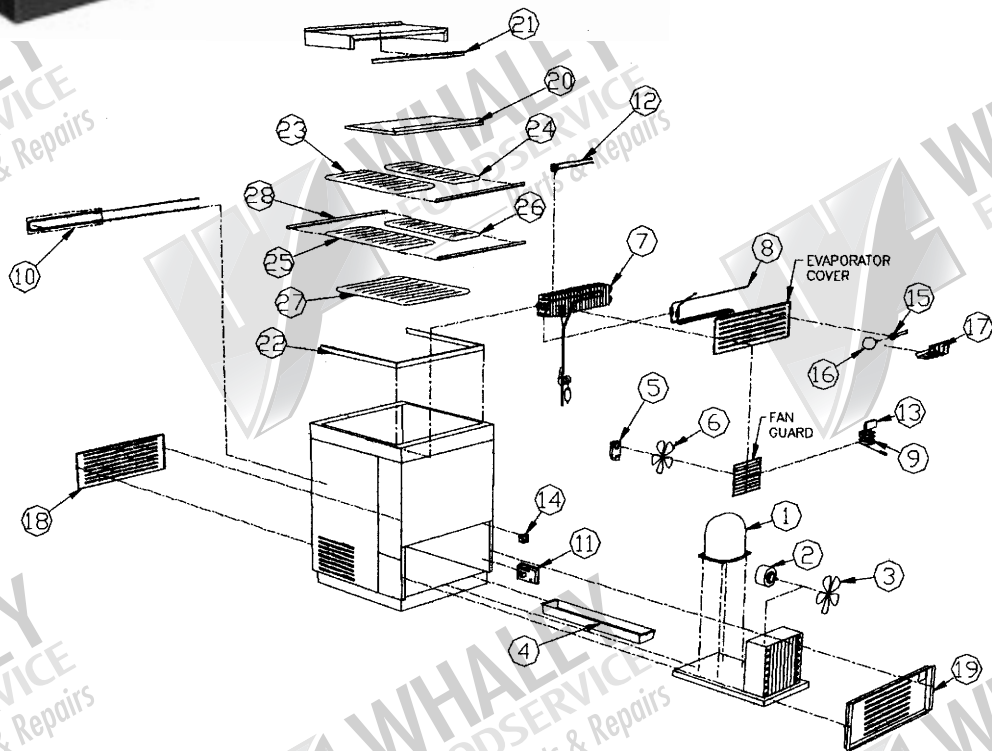
2 DOOR PART NO.	3 DOOR PART NO.	4 DOOR PART NO.	DESCRIPTION
C25051-1	C25053-1	C25053-1	Evaporator Drain Line — Drain Left
C15239A	C15239A	C15239A	Evaporator Fan Motor
C25048-1	C25048-1	C25050-1	Evaporator Drain Line — Drain Right
57513	57513	57513	Condenser Fan Motor
C14316	C14316	C14316	Evaporator Drain "O" Ring
C14649	C14649	C14649	Evaporator Fan Blade (5-1/2")
C29170EP	C29170EP	C29176	Evaporator Assembly
C3150-3	C3150-3	C3150-3	Condensor Fan Blade
C29185EP	C29185EP	C29186EP	Fin Coil Sub-Assembly
57500	57500	57498	Compressor
57360	57360	57360	Temperature Control



Glass Froster

PERLICK

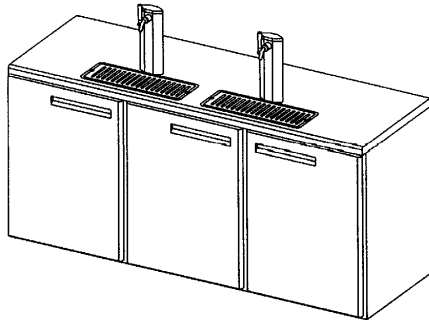
Glass Froster



(Illustration on page 475.)

ITEM NO.	8340 PART NO.	8350 PART NO.	8365A PART NO.	DESCRIPTION
1	57501	C22606-1	C22606-1	Replacement Compressor for R134a Unit
2	57513	57513	57513	Condensing Unit Fan Motor
3	C3150-3	C3150-3	C3150-3	Condensing Unit Fan Blade
4	C25665	62521	C29999	Condensate Pan
5	C15239A	C15239A	C15239A	Evaporator Fan Motor
6	C22370	C22370	C22370	Evaporator Fan Blade
7	C29992A	62530	C29993A	Evaporator Coil Assembly
8	C25655-1	61401-1	C25654-1	Evaporator Defrost Heater
9	C23095	C23095	C23095	Temperature Control
10	C30011-1	C30011-1	C30011-1	Cabinet Heater
11	57466	57466	57466	Defrost Timer
12	57676	57676	57676	Defrost Temp Limit Switch
13	C31059	C31059	C31059	Terminal Block
14	C31659	C31659	C31659	Rocker Switch With Pilot
15	C31022-1	C31046-1	C31046-1	Light Socket
16	C15046	C15046	C15046	7-1/2 Watt Light Bulb
17	C25683	C25683	C25683	Light Bulb Guard
18	C29960-1G	C29960-1G	C29960-1G	Back Grille
19	C30844-1	62511-1	C30845-1	Front Grille (SS Models)
19	C30844-1P	62511-1P	C30845-1P	Front Grille (Black Painted Models)
20	62758-1	62758-3	62857-2	Door Assembly (Part Number Represents One Door)
21	C27941-3	C27941-5	C27941-1	Top Wiper Gasket
22	C31703A	63059	C31704A	Breaker Strip Kit
23	C29937-2	C29937-2	C29937-2	Upper Shelf (All Models: 15-3/16" x 11-1/2")
24	C30025-2	C30025-2	C29991-2	Upper Shelf (Nos. 8340 & 8350: 15-3/16" x 8"; No. 8365A: 15-3/16" x 10")
25	C29938-2	C29938-2	C29938-2	Lower Shelf (All Models: 19-1/4" x 11-1/2")
26	C30026-2	C30026-2	C29990-2	Lower Shelf (Nos. 8340 & 8350: 19-1/4" x 8"; No. 8365A: 19-1/4" x 10")
27	C29994-2	62545-2	C29989-2	Bottom Rack
28	C25672-1	6139-1	C25673-1	Shelf "L" Bracket
	N/A	N/A	C25539	Center Mullion Assembly Between Doors
	C31067A	63048	C31075A	One Complete Set of Upper and Lower Shelves
	C31066A	63047	C31074A	One Set of Lower Shelves

Draw Dispenser for Remote Refrigeration



Model No. DR4KP Four Keg Direct Draw Dispensers

PART NO.	DESCRIPTION
C18944	Four-Way Air Distributor Assembly
62291	Complete Coil Assembly
1390TR	1/2" Trans Vinyl Beverage Tubing 13'

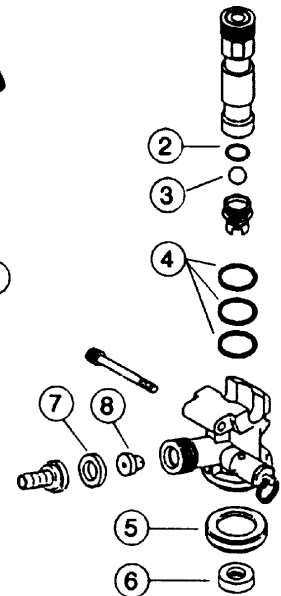
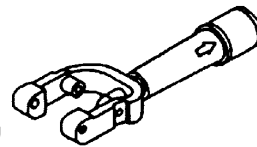
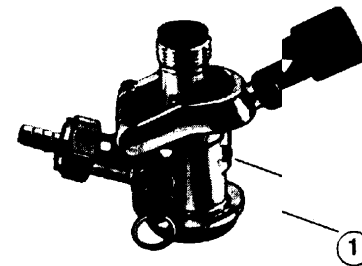
PART NO.	DESCRIPTION
62077	Left Hinged Door Assembly
62074	Right Hinged Door Assembly
62085-1	Magnetic Door Gasket
61140-1	Right Top, Left Bottom Hinge Assembly
61140-2	Left Top, Right Bottom Hinge Assembly
57736-1	Elbow-Nylon 3/4" F.P.T. x 1/2" Barb
C24639-1	Glass Rack
61247-1	Wiring Harness
C15239A	Fan Motor
59699	5-1/2" Diameter Fan Blade
C25395	Fan Guard Assembly

Model No. DR2KP Two Keg Direct Draw Dispensers

PART NO.	DESCRIPTION
C18942	Two-Way Air Distributor Assembly
62285	Complete Coil Assembly
1390TR	1/2" Trans Vinyl Beverage Tubing 9'

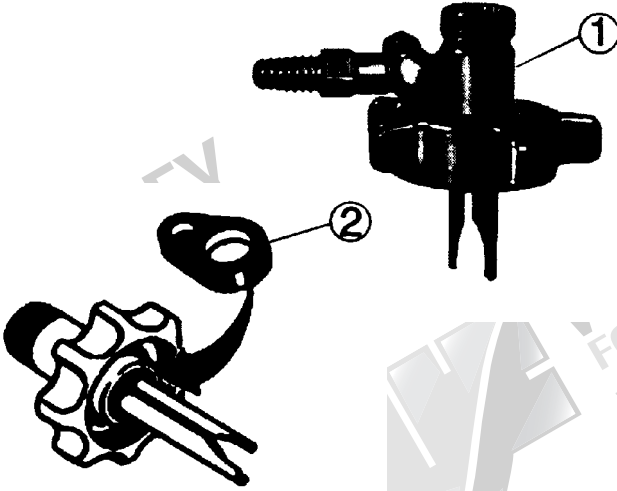
Model No. DR3KP Three Keg Direct Draw Dispensers

PART NO.	DESCRIPTION
C18943	Three-Way Air Distributor Assembly
62291	Complete Coil Assembly
1390TR	1/2" Trans Vinyl Beverage Tubing 10.5'



Single Valve Keg Coupler (Series D)

ITEM NO.	PART NO.	DESCRIPTION
1	26000D	Single Valve Keg Coupler
2	C14316	O-Ring
3	31080-2P	Ball Check
4	31089-2P	O-Ring (3 per assembly)
5	31088-2P	Bottom Seal Washer
6	31087-2P	Probe Washer-Domestic
7	157R2P	Coupling Gasket
8	23682-2P	Check Valve

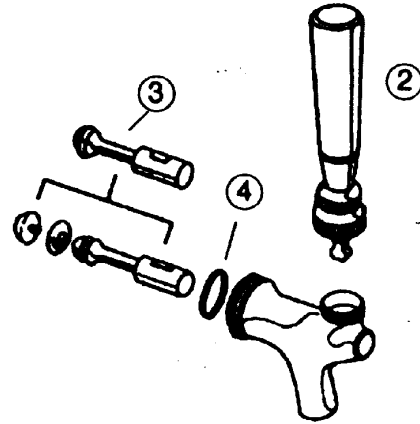


Dual Probe Keg Coupler

ITEM NO.	PART NO.	DESCRIPTION
1	25385R	Dual Probe Keg Coupler
2	25385-2	Sealing Gasket (Fig. 8 Washer)
	25385-1	Check Valve

Beer Faucet

ITEM NO.	PART NO.	DESCRIPTION
1	408X	Complete Beer Faucet
2	408-25	Handle Assembly
3	43473-26	Valve Stem Assembly
4	308-3-2P	Coupling Gasket



Miscellaneous

PART NO.	DESCRIPTION
157L2P	Beer Line Connector Gasket
157F2P	CO ₂ Tank Washer
1392R	Red Air Hose
529	Beer Hose
2928D	Twin Gauge CO ₂ Regulator

