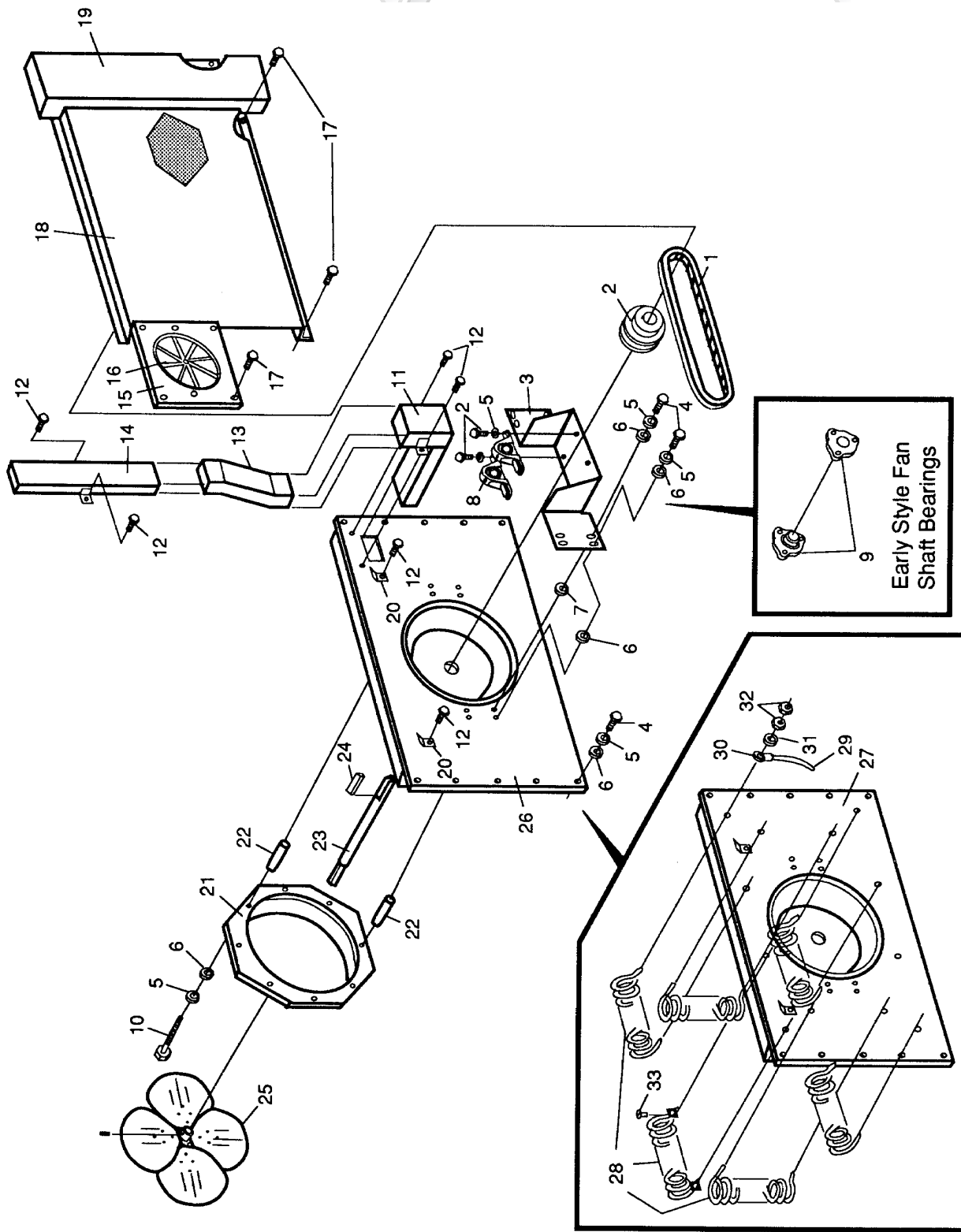


# Middleby™ PS200 Series Ovens



(Illustration on page 435.)

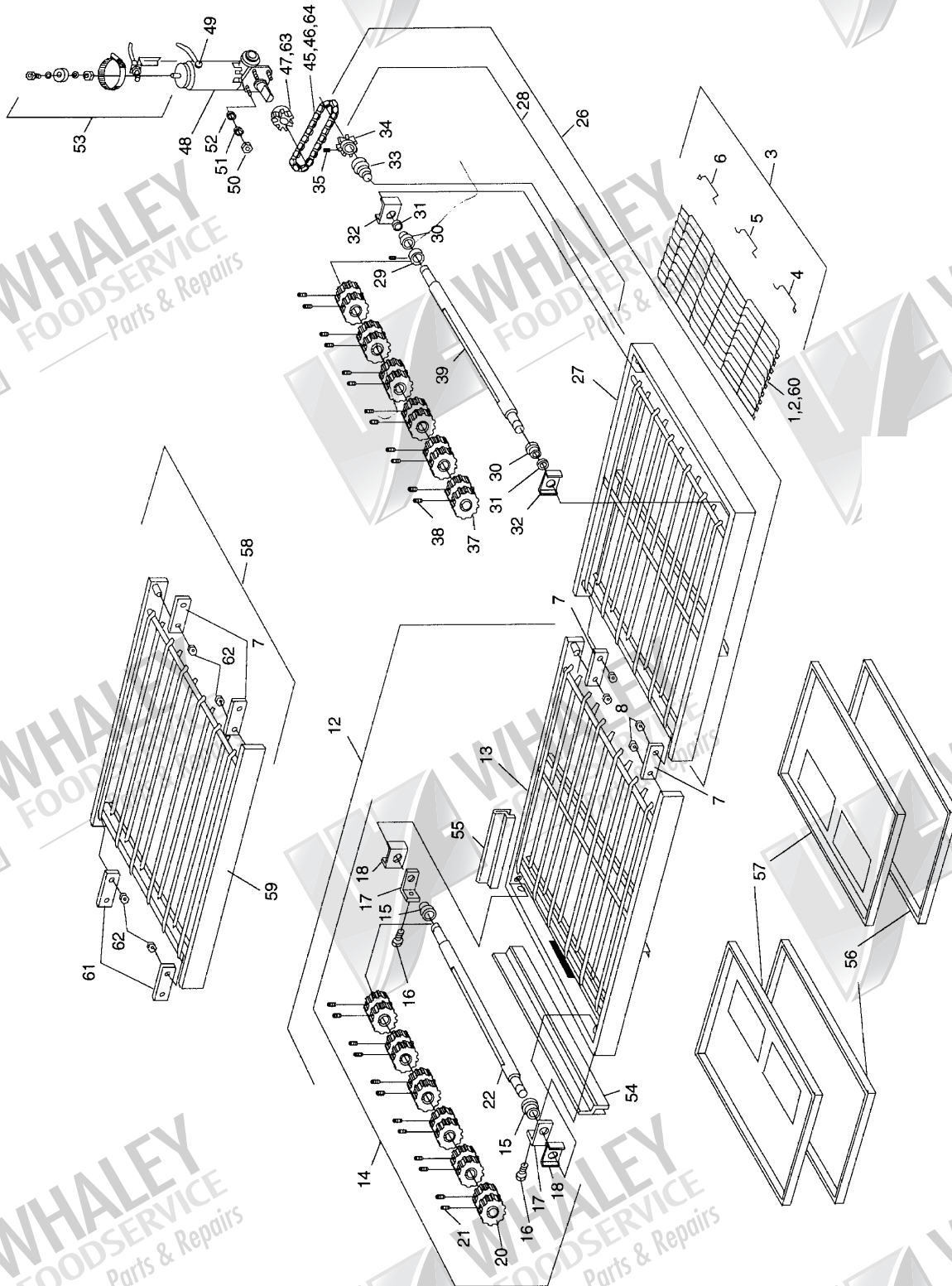
**Blower and Shroud Gas and Electric Oven**

ITEM NO.	PART NO.	DESCRIPTION
1	22181-0034	Fan Belt
2	22230-0073	Pulley, 5/8" Bore, 60 hz Ovens
2	22230-0074	Pulley, 5/8" Bore, 50 hz Ovens
3	37900-0101	Bracket – Fan Drive Weldment
▶ NOTE: On ovens manufactured after 6/89 the 2 brackets (Item 3) are welded together into one weldment (37900-0001). When replacing either bracket the weldment must be used.		
4	21216-0001	Bolt 3/8"-16 x 1-1/2" SS HX (16 qty.)
4A	17110-0017	Never Seize Lubricant– Used on Items 4 & 10 – Applied to Threads Before Reinstalling
5	21422-0001	Split Washer 3/8" SS
6	21416-0001	Flat Washer 3/8" SS
7	21419-0004	Flat Washer 3/8" SS Special (4 qty.)
8	22072-0025	Bearing, Pillow Block 5/8" (2 qty.)
9	22071-0010	Bearing – Fan Shaft, Flange Mount (Early Style) (2 qty.)
10	21326-0002	Bolt 3/8"-16 x 5-1/2" SS HX
11	49400-0029	Flue Vent
12	21292-0001	HX HD Screw 10-16 x 3/4"
13	37900-0041	Offset Crossover Vent – Double Oven Only
14	37900-0042	Vent Extension – Double Oven Only
15	37900-0067	Cover – Rear Control Pnl, for Oven w/Right End Control Panel
15	37900-0149	Cover – Rear Control Pnl, for Oven w/Left End Control Panel
16	21470-0035	Guard – Cooling Fan
17	21256-0009	Screw Trus Cap – 10-32 x 5/8" (4 qty.)
18	37900-0058	Rear Shroud, Oven w/Right End Control Panel
18	37900-0148	Rear Shroud, Oven w/Left End Control Panel

ITEM NO.	PART NO.	DESCRIPTION
18	37900-0091	Rear Shroud – Left Oven of Tandem Only
19	35900-0200	Vent Shroud – Option, Oven with Right End Control Panel
19	37900-0091	Vent Shroud – Option, Oven with Left End Control Panel
20	35000-1622	Shroud Hanger Bracket (2 qty.)
21	22450-0217	Ring Shroud – Fan
22	35900-0108	Stand-Off Tube
23	35900-0232	Shaft Fan Drive
24	21651-0010	Key for Pulley
25	27399-0003	Fan 16" Diameter
26	37900-0068	Back Wall – Gas Oven Only, Oven w/Right End Control Panel
26	37900-0088	Back Wall – Gas Oven Only, Oven w/Left End Control Panel
26	37900-0088	Back Wall – Tandem Slave (Left) Only
▶ NOTE: Items 27-33 are for electric ovens only.		
27	37900-0063	Back Panel – Electric Oven Only
28	27375-0001	Heating Element 208V (6 qty.)
28	27375-0002	Heating Element 240V (6 qty.)
28	27375-0003	Heating Element 380V (6 qty.)
29	27152-0047	Wire Strand 12 GA. 250°C
30	27252-0005	Wire Ring Terminal #12 649°C
31	21426-0005	Lock Washer #10 SS
32	21126-0007	Hex Nut 10-32 x 3/8"
33	21256-0008	Trus. HD Screw 10-32 x 3/8" (12 qty.)
▶ NOTE: The following 4 items are for tandem ovens only and are not shown in the drawing.		
	37900-0092	Tandem Only – Gasket Frame (Fits into Bake Chamber Between Ovens)
	35900-0119	Gasket for Frame – 83" Long
	22450-0240	Latch – Tandem Oven Only (4 qty.)
	22450-0239	Keeper for Latch–Tandem Oven Only (4 qty.)

**ONE-STOP SHOP**

**Don't see what you need?  
We will find it!**



(Illustration on page 437.)

**Conveyor**

ITEM NO.	DESCRIPTION	PS200	PS220FS	PS224
	Folding Conveyor Frame Assembly	49400-0074	49400-0173	49400-0226
	▶ NOTE: Non-folding conveyor frames were supplied with early model PS200 ovens. Folding conveyor frames are now standard, non-folding frame is an option.			
1	Conveyor Belt Wire SS, 146"	22450-0225	22450-0252	22450-0287
2	Conveyor Belt Section Wire SS, 1'	33900-0032	33900-0081	33900-0035
3	Master Link Kit (includes Items 4, 5, & 6)	42400-0089	49400-0089	42400-0089
4	Master Link – Right	33900-0018	33900-0079	33900-0079
5	Master Link – Middle	33900-0017 (4 qty.)	33900-0078 (3 qty.)	33900-0078
6	Master Link – Left	33900-0016	33900-0077	33900-0077
7	Pivot Plate – Conveyor Frame (Present Style) (2 qty.)	35900-0398	35900-0398	35900-0398
7	Pivot Plate – Conveyor Frame (Early Style PS200 & 220FS) (2 qty.)	35900-0169	35900-0169	
8	Locknut, Hex SS 3/8-20 (Present Style) (4 qty.)	21176-0002	21176-0002	21176-0002
8	Locknut, Hex SS 1/4-20 (Early Style PS200 & 220FS) (4 qty.)	21176-0001	21176-0001	
12	Conveyor Frame Assembly – Idler	49400-0072	49400-0174	49400-0217
13	Conveyor Frame Weldment – Idler	37900-0071	37900-0166	37900-0203
14	Conveyor Assembly – Idler	49400-0013	49400-0175	49400-0240
15	Bush, Flange 3/4 OD, x 5/8 ID (2 qty.)	22034-0003	22034-0003	22034-0003
16	Bolt, Adj – Conveyor Idler (2 qty.)	35000-1008	35000-1008	35000-1008
17	Idler Shaft Adjustment Bracket (2 qty.)	37000-0413	37000-0413	37000-0413
18	Conveyor Shaft Support Bracket (2 qty.)	35900-0020	35900-0020	35900-0020
19	Idler Shaft Assembly (Includes Items 20, 21, & 22)	49400-0014	49400-0176	49400-0232
20	Conveyor Sprocket w/Screw (12 qty.)	22229-0003	22229-0003	22229-0003
21	Socket Set Screw 1/4-28 x 3/8" (12 qty.)	21276-0039	21276-0039	21276-0039
22	Idler Shaft	35000-1011	35900-0331	35900-0422
26	Conveyor Frame Assembly – Drive	49400-0073	49400-0177	49400-0241
27	Conveyor Frame Weldment	37900-0075	37900-0168	37900-0205
28	Conveyor Assembly – Drive	49400-0011	49400-0178	49400-0011
29	Shaft Collar w/Screw	22011-0013	22011-0013	22011-0013
30	Bush, Flange 3/4 OD x 5/8 ID (2 qty.)	22034-0003	22034-0003	22034-0003
31	Nylon Spacer (2 qty.)	35000-1080	35000-1080	35000-1080
32	Conveyor Shaft Support Bracket (2 qty.)	35900-0020	35900-0020	35900-0020
33	Drive Shaft Adapter	35000-1013	35000-1013	35000-0013
34	Roller Chain Sprocket w/Screw	22151-0002	22151-0002	22151-0002

ITEM NO.	DESCRIPTION	PS200	PS220FS	PS224
35	Socket Set Screw 10-32 x 5/16" SS	21276-0038	21276-0038	21276-0038
36	Drive Shaft Assembly (Includes Items 37, 38, & 39)	49400-0012	49400-0183	49400-0012
37	Conveyor Sprocket 10T w/Screw	22229-0003 (12 qty.)	22229-0003 (10 qty.)	22229-0003
38	Socket Set Screw 1/4-28 x 3/8"	21276-0039 (12 qty.)	21276-0039 (10 qty.)	21276-0039
39	Drive Shaft	35000-1012	35900-0335	35000-1072
45	Drive Chain Assembly – 18" long	49400-0050	49400-0050	49400-0500
46	Master Link	22273-0002	22273-0002	22273-0002
47	Sprocket, Drive Motor 15T w/Screw	22151-0003	22151-0003	22151-0003
48	Gear Motor	27384-0011	27384-0011	27384-0011
49	Brushes – Gear Motor (2 qty.)	24150-0230	22450-0230	22450-0230
50	Hex Nut 10-32 (4 qty.)	21122-0004	21122-0004	21122-0004
51	Split Washer #10 (4 qty.)	21421-0003	21421-0003	21421-0003
52	Flat Washer #10 (4 qty.)	21421-0011	21421-0011	21421-0011
53	Conveyor Control Pickup Kit	27170-0263	27170-0263	27170-0263
54	Conveyor End Stop	35000-1103	35900-0370	35900-0442
55	Conveyor Left Rear Stop	35900-0148	35900-0376	35900-0148
56	Crumb Pan (2 qty.)	35900-0038	35900-0360	35900-0419
57	Crumb Pan, Upper Oven (2 qty.)	35900-0255	35900-0377	35900-0377
▶ NOTE: The following 10 items are used for Tandem Ovens only.				
58	Tandem Center Conveyor Frm Assembly w/Belt	49400-0075		
59	Center Conveyor Frm – Tandem Only	37900-0070		
60	Conveyor Belt Wire SS 32" x 77"	22450-0238		
61	Pivot Plate – Tandem (2 qty.)	35900-0170		
62	Locknut, Hex SS 1/4-20 (4 qty.)	21176-0001		
63	Tandem Gear Motor Sprocket	22151-0004		
64	Tandem Drive Chain Assembly – 16" Lg	49400-0086		

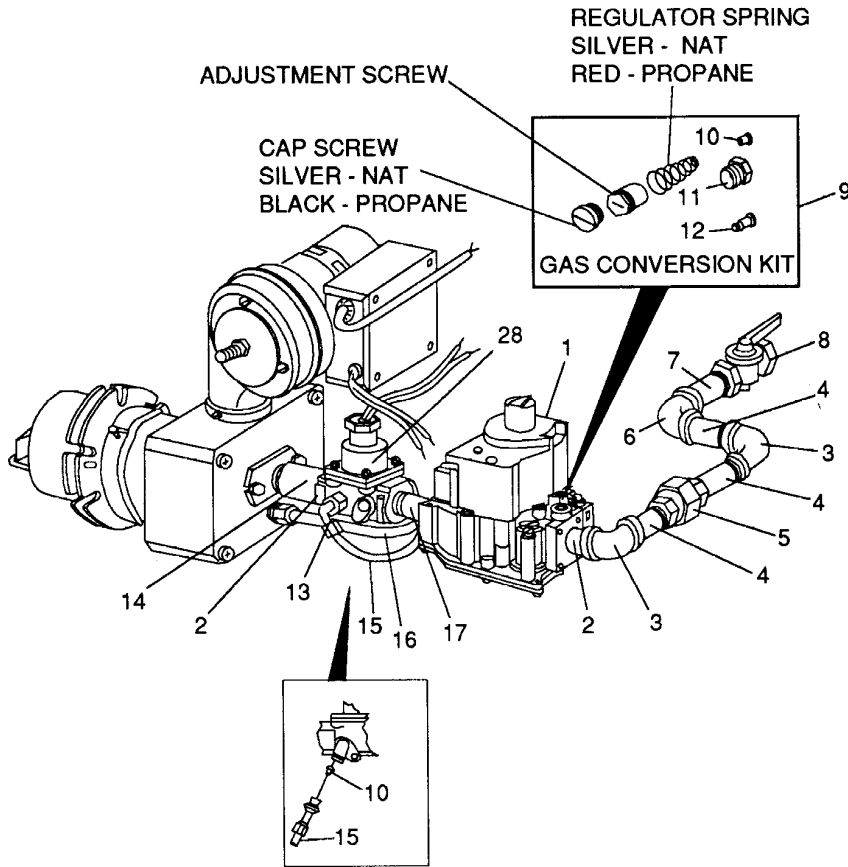


**WWW.WHALEYFOODSERVICE.COM**

At our website you can:

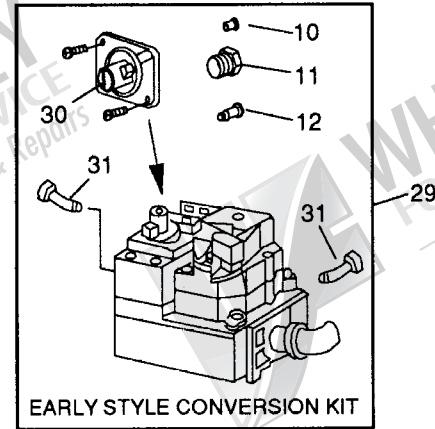
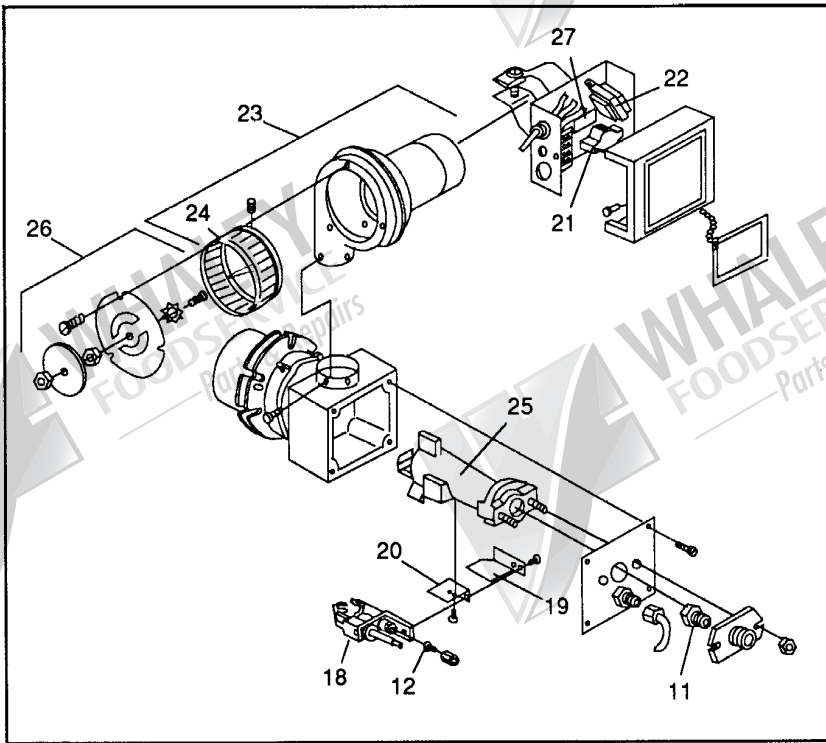
- place a parts order
- view or print an instruction manual
- retrieve a parts list
- determine daily maintenance schedules
- look-up parts by manufacturer, equipment model, or part number
- record your own specific equipment and model numbers





### Gas Burner and Piping Assembly

ITEM NO.	PART NO.	DESCRIPTION	ITEM NO.	PART NO.	DESCRIPTION
1	42810-0121	1/2" Gas Control Valve (Conversion Required for Propane)	10	22174-0006	Orifice #53 Drill Low Flame - Natural
2	23153-0004	1/2" Close Nipple - Blk (2 qty.)	10	22174-0009	Orifice #62 Drill Low Flame - Propane
3	23122-0004	1/2" Elbow - 90° (2 qty.)	11	22176-0010	Orifice Drill, Main Burner - Natural (0.204"), PS200
4	23151-0032	1/2" x 3" Nipple - Blk (3 qty.)	11	22176-0007	Orifice #30 Drill, Main Burner - Propane (0.1285"), PS200
5	23051-0003	1/2" Pipe Union	11	22176-0016	Orifice, Main Burner - Natural (0.185"), PS220FS & PS224
6	23125-0002	1/2" x 3/4" Reducer Elbow - 90°	11	22176-0017	Orifice, Main Burner - Propane (0.113"), PS220FS & PS224
7	23151-0033	3/4" x 2" Nipple - Blk	11	22176-0008	Orifice #12 Drill, Main Burner - Japan (NAT)
8	23115-0005	3/4" Manual Gas Shut-Off Valve	11	49810-0009	Conversion Kit - Main Orifice - Japan
9	42810-0122	Natural to Propane Conversion Kit, PS200	12	22174-0011	Orifice, Pilot - Natural (0.024")
9	42810-0125	Propane to Natural Conversion Kit, PS200	12	22174-0010	Orifice, Pilot - Propane (.014")
9	42810-0123	Natural to Propane Conversion Kit, PS220FS & PS224	13	23126-0016	Elbow - Male 1/4" Tube x 1/8" NPT (2 qty.)
9	42810-0126	Propane to Natural Conversion Kit PS220FS & PS224	14	23015-0004	1/2" Coupling NPT
			15	35900-0099	1/4" Tubing - Alum 5-3/4"

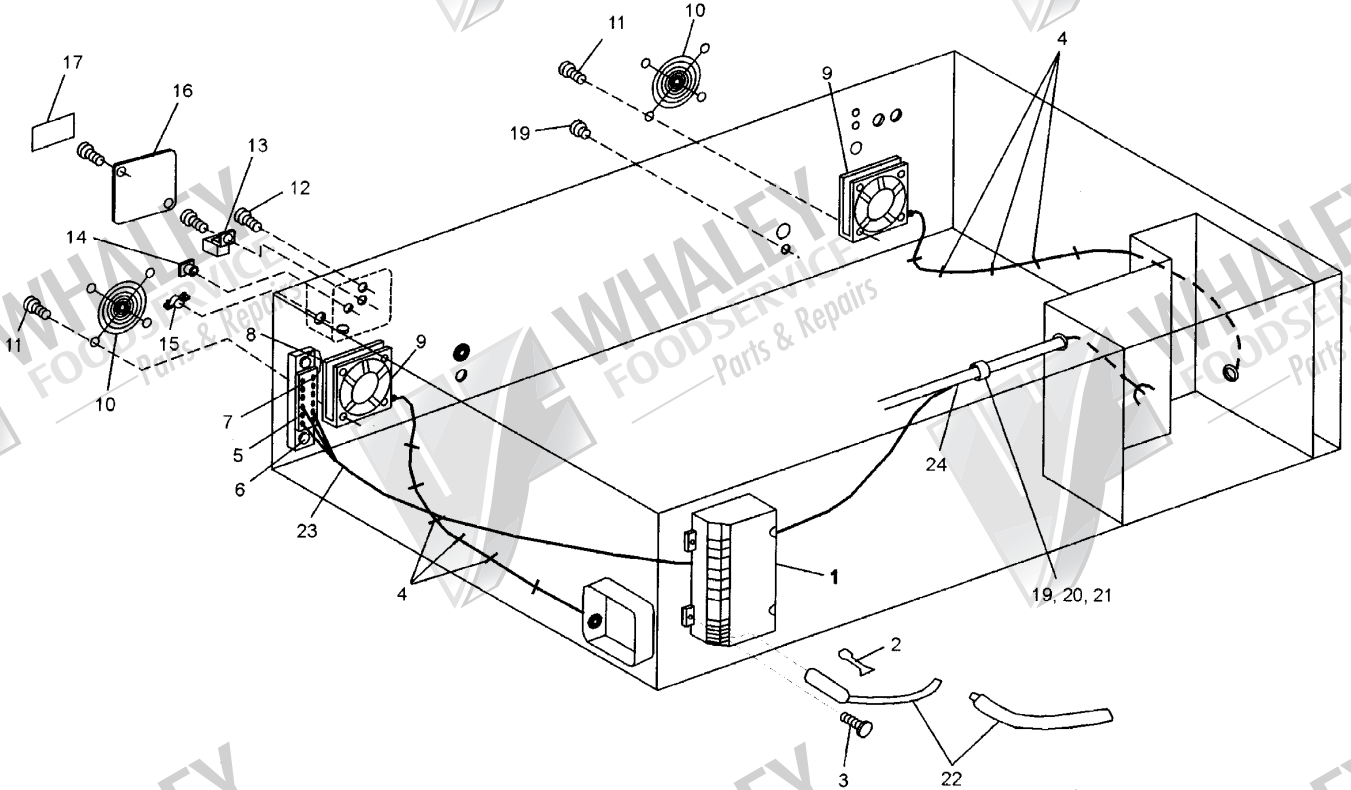


ITEM NO.	PART NO.	DESCRIPTION
16	35900-0098	1/4" Tubing – Alum 10"
17	23151-0030	1/2" x 2" Nipple – Blk
18	27363-0002	Pilot Assembly w/Ignitor
▶ NOTE: If replacing early style pilot ignitor (PN 27363-0001) order Kit PN 42810-0117 which will contain Items 18 & 20		
19	27170-0204	Pilot Shield
20	27170-0264	Pilot Ignitor Bracket
21	36510	Motor Relay
22	27170-0017	Transformer 120/240V
23	27170-0011	Blower Motor Assembly
24	22523-0001	Blower Wheel

ITEM NO.	PART NO.	DESCRIPTION
25	27170-0223	Venturi w/Target
26	42810-0007	Air Shutter Kit
27	27030-0005	Fuse Holder
28	28091-0017	1/2" Solenoid Valve
▶ NOTE: Items 29, 30, and 31 are used with the early style gas control valve (PN 28092-0013)		
29	49810-0003	Natural to Propane Conversion Kit
29	49810-0016	Propane to Natural Conversion Kit
30	28092-0016	Regulator – Set 3.5" WC Natural
30	28092-0015	Regulator – Set 10.5" WC Propane
31	23127-0001	Street Elbow 1/8" x 1/8" (2 qty.)

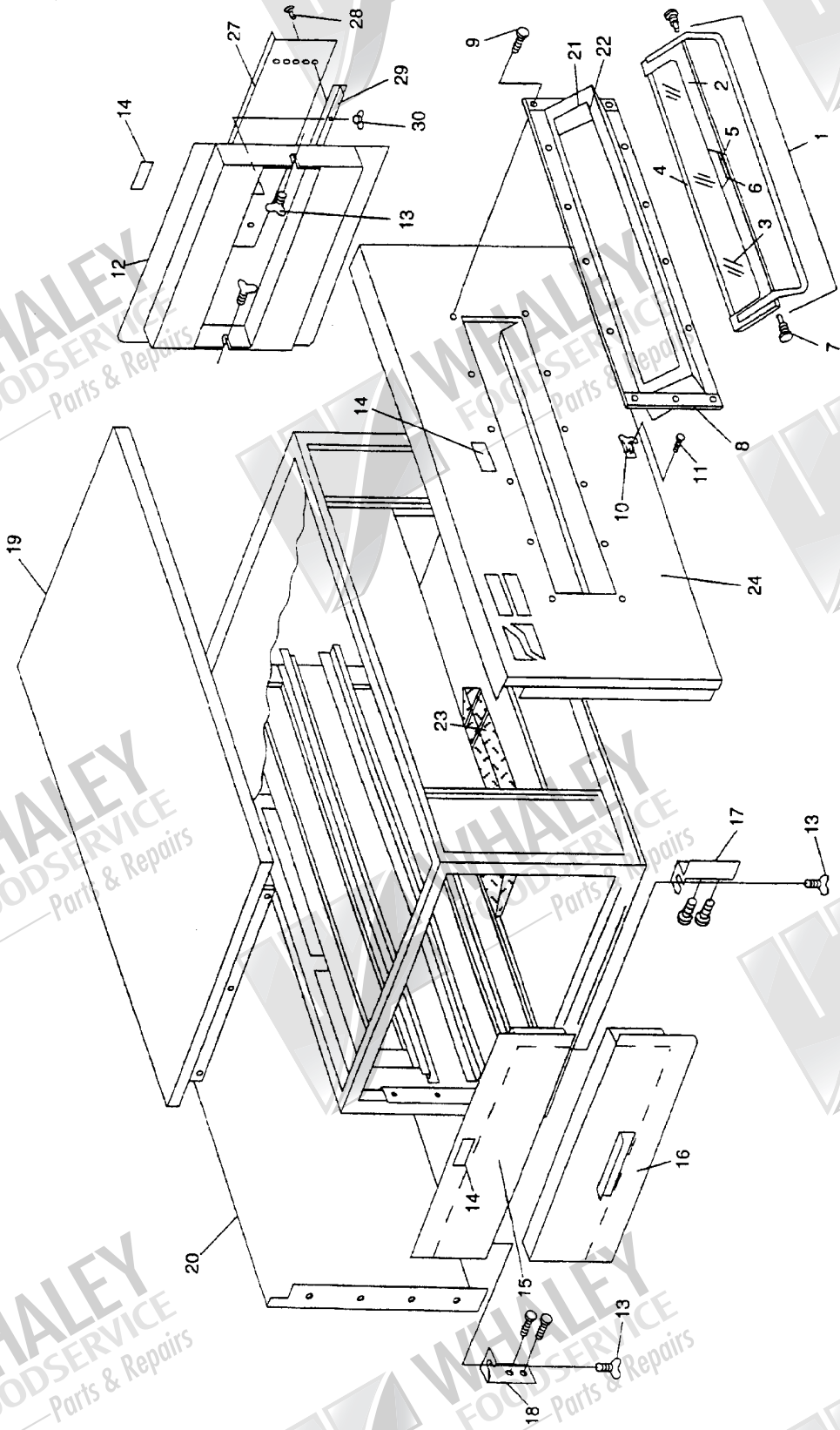
# Middleby™ PS300 Series Ovens

PS310  
PS314 (except PS314SBI)  
PS360/360Q/360S  
PS360WB



## Electrical Components

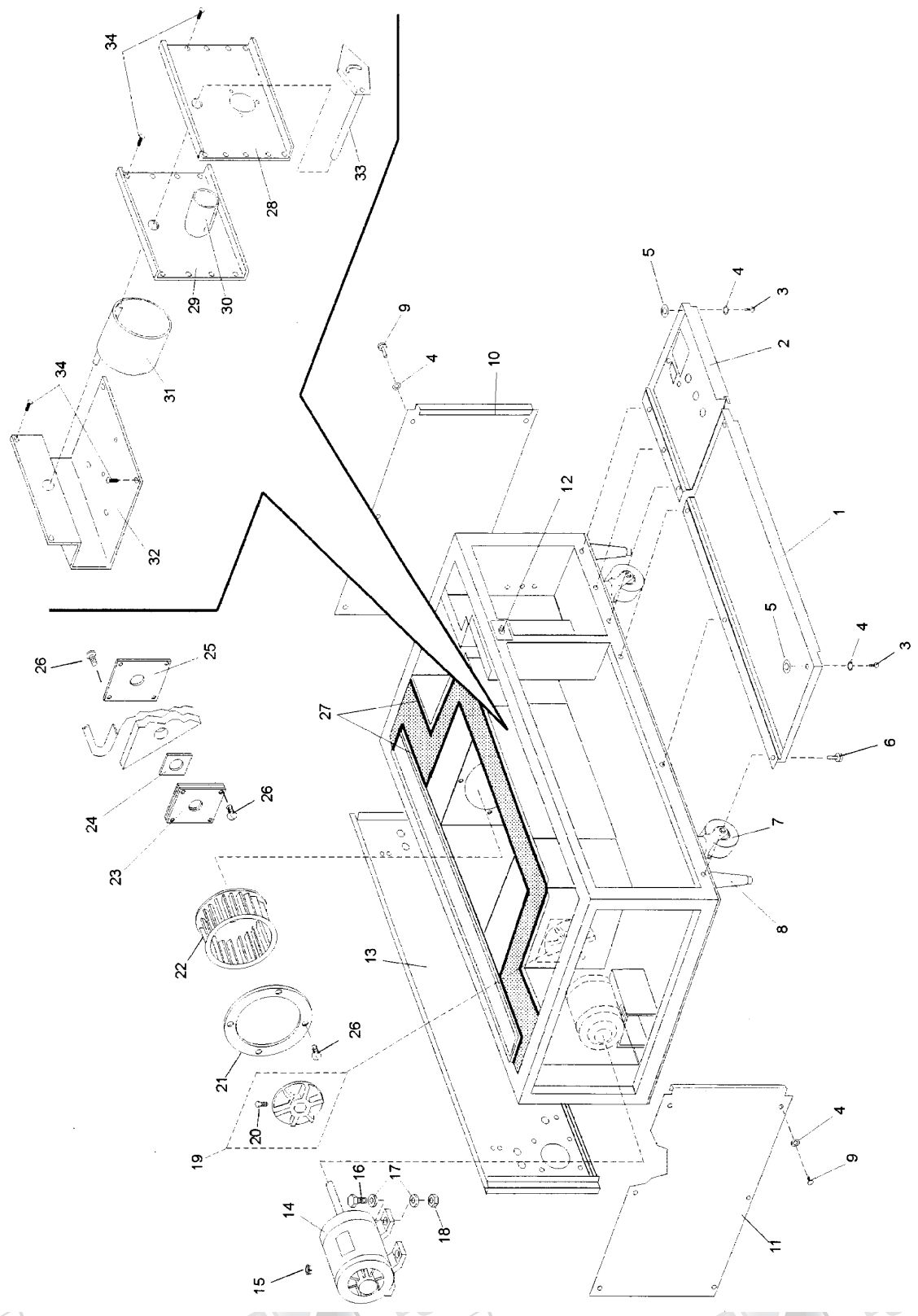
ITEM NO.	PART NO.	DESCRIPTION	ITEM NO.	PART NO.	DESCRIPTION
1	42810-0114	Kit, Ignition Module (with Adapter – Gas Ovens)	12	21292-0001	Screw, Hex Wshr HD #10-16 x 3/4"
2	27161-0006	Adapter, Ignition Module	13	15028707	Terminal, Lug #6-14
3	21278-0007	Screw, Slit Rnd HD #8-32 x 1-1/8" (3 qty.)	14	27321-0009	Strain Relief
4	27311-0002	Cable Tie, Plastic	15	27082-0008	Cable Connector, Straight, Clamp Type
5	27011-0013	Terminal Block	16	27304-0001	Cover, Junction Box
6	21278-0002	Screw, Slit Rnd HD #8-32 x 3/4" (2 qty.)	17	22500-0042	Label, "Caution High Leg"
7	27255-0008	Disconnect	18	23035-0001	Plug, Plastic, 1/8" (5 qty.)
8	42400-0256	Assembly, Ground Wire	19	21221-0015	Screw, Slit Rnd HD 1/4"-20 x 3/4" (2 qty.)
9	27392-0002	Cooling Fan (2 qty.)	20	B301A8817	Nut, 1/4"-20 Hex (2 qty.)
	27159-0003	Cordset, Cooling Fan (2 qty.)	21	27276-0002	Nylon Cable Clamp (4 qty.)
10	27470-0004	Grille, Cooling Fan (2 qty.)	22a	27159-0019	Ignition Cable, 34" (Current – Gas Ovens)
11	21226-0007	Screw, Slit Pan HD #10-24 x 1/2" (8 qty.)	22b	27159-0012	Ignition Cable, 30" (Original Design – Gas Ovens)
			23	42400-0334	Shielded Pickup, Conveyor Cable
			24	42400-0459	Wiring Harness (Gas Ovens)



(Illustration on page 443.)

**Oven Panels, Windows, and Legs**

ITEM NO.	DESCRIPTION	PS310/314	PS360	PS360WB
1	Glass Frame/Handle Assembly	42400-0156	42400-0156	42400-0156
2	Glass Frame/Handle Weldment	37115-0136	37115-0136	37115-0136
3	Glass	22140-0012	22140-0012	22140-0012
4	Top Frame	35000-1025	35000-1025	35000-1025
5	Silicone – Adh. Seal	17130-0006	17130-0006	17130-0006
6	Tube SS 18 GA. 37" x 3/8"	33300-0114	33000-0114	33300-0114
7	Screw – Thumb Pivot (2 qty.)	34121-0003	34121-0003	34121-0003
8	Window/Mtg Frame Weldment	37000-0371	37000-0371	37000-0371
9	Screw 6/23 x 5/8" (14 qty.)	31451	31451	31451
10	Latch Assembly	42400-0087	42400-0087	42400-0087
12a	End Plug – Right, Upper Oven	37000-0462	37000-0454	37000-0740 or 34309
12b	End Plug – Right, Lower Oven	37000-0463	37000-0455	37000-0739 or 34433
13	Wing Screw (4 qty.)	31409	31409	31409
14	Caution Label (3 qty.)	30631	30631	30631
15a	End Plug Top Half-Left, Upper Oven	37000-0464	37000-0456	37000-0738 or 34310
15b	End Plug Top Half-Left, Lower Oven	37000-0466	37000-0458	37000-0736 or 34431
16a	End Plug Bottom Half-Left, Lower Oven	37000-0465	37000-0457	37000-0737 or 34314
16b	End Plug Bottom Half-Left, Lower Oven	37000-0467	37000-0459	37000-0735 or 34430
17	End Plug Bracket – LH Front	35000-0946	35000-0946	35000-1834
18	End Plug Bracket – LH Rear	35000-0945	35000-0945	35000-1833
19a	Top Panel (Lower Single Oven – Fits on Top of Baking Chamber)	35000-1494	35000-1493	35000-1898
19b	Top Panel (Upper Oven or Double Oven – Mounts on Top of Machinery Compartment)	35000-0063	35000-0063	35000-1894
20	Rear Panel	37000-0451	37000-0451	37000-0451
21	Window Gasket	22420-0005	22420-0005	22420-0005
23	Screen Guard for Upper Burner Chamber (Optional)	35200-0010	35200-0010	35200-0010
24a	Front Panel, Outer, Lower Oven	35000-0955	35000-0955	35000-0955
24b	Front Panel, Outer, Upper Oven	35000-0953	35000-0953	35000-0953
	Insulation 1" Inside of All Top, Front and Rear Panels	22131-0004	22131-0004	22131-0004
27	Eyebrow	35200-0034	35200-0034	35200-0034
28	Wing Nut, 1/4"-20 (2 qty.)	21141-0001	21141-0001	21141-0001
29	Eyebrow Mounting Bracket	37000-0571	37000-0571	37000-0571
30	Screw, Hex Washer Head #2 PT, #10-16 x 3/4" (2 qty.)	21292-0001	21292-0001	21292-0001



(Illustration on page 445.)

**Machinery Compartment**

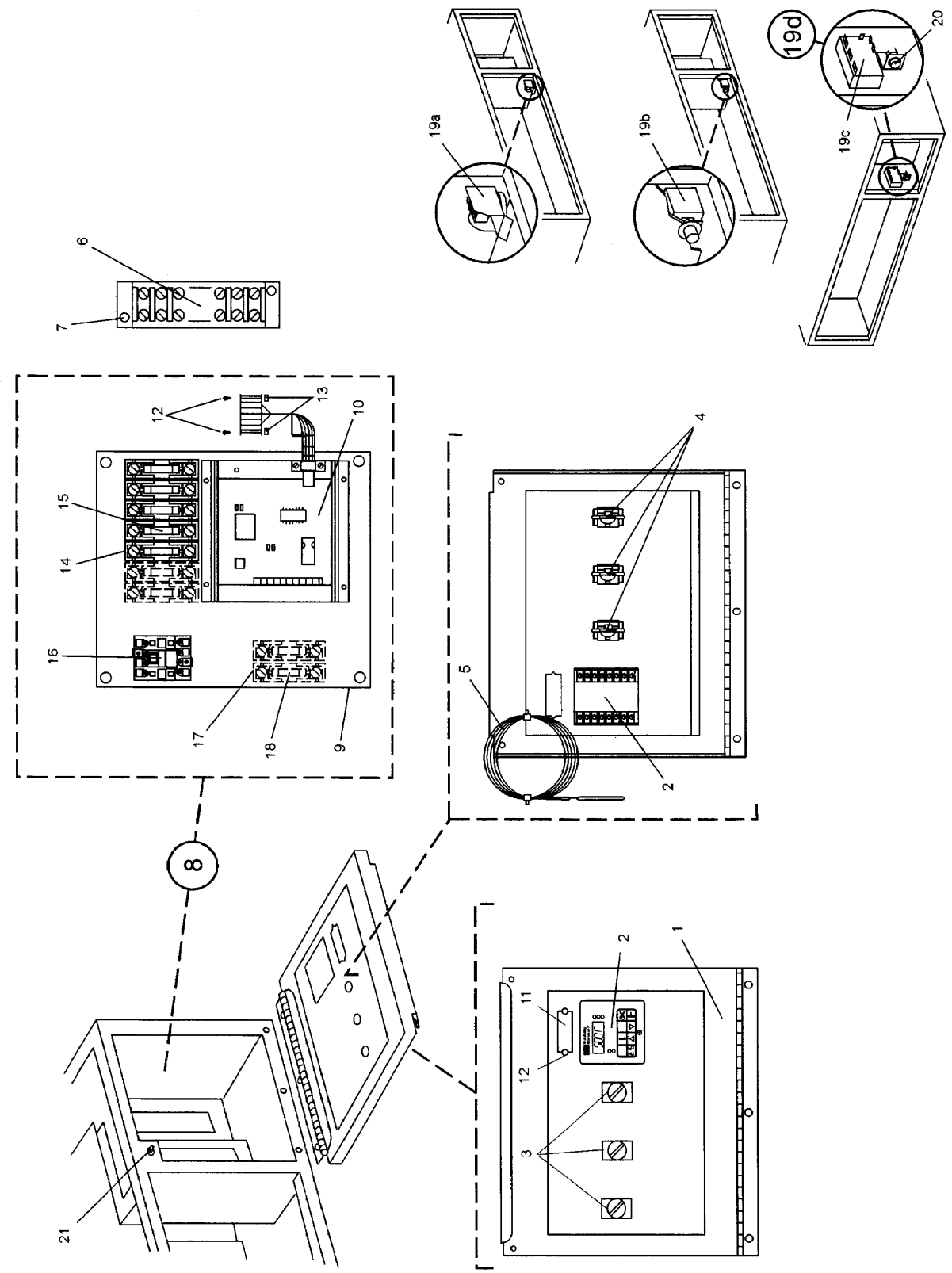
ITEM NO.	PART NO.	DESCRIPTION
1	37000-0450	Machinery Compartment Door
2	37000-0449	Control Compartment Door
3	2000294	Flat Head Screw, #10-24 x 1-1/4" (4 qty.)
4	21475-0001	Finishing Washer, #10 (18 qty.)
5	30338	Retainer, #10-24 (4 qty.)
6	21292-0001	Hex Screw, #10-16 x 3/4" (6 qty.)
7	37115-0102	Caster (4 qty.)
8	22450-0028	Adjustable Leg (4 qty.)
9	21272-0013	Flat Head Screw, #10-24 x 1/2" (14 qty.)
10a	35000-0958	End Panel – Right Side for Lower Oven, Left Side for Upper Oven – PS310/314/360
10b	35000-1866	End Panel – Right Side for Lower Oven, Left Side for Upper Oven – PS360WB
11a	35000-0959	End Panel – Left Side for Lower Oven, Right Side for Upper Oven – PS310/314/360
11b	35000-1867	End Panel – Left Side for Lower Oven, Right Side for Upper Oven – PS360WB
12	28021-0047	Door Safety Switch
13	35000-0957	Rear Panel, Machinery Compartment
14a	27381-0023	Blower Motor, 1 PH, 1/3 HP (PS310, 314, 360, 360S) (2 qty.)
14b	27381-0024	Blower Motor, 3 PH, 1/3 HP (PS310, 314, 360) (2 qty.)
14c	27381-0054	Blower Motor, 1 PH, 1/4 HP (PS360Q) (2 qty.)
14d	27381-0075	Blower Motor, 1 PH, 1/2 HP (PS360WB) (2 qty.)
	17110-0018	Tube of Anti-Seize Lubricant (1 oz.)

ITEM NO.	PART NO.	DESCRIPTION
15	27221-0013	Bush, Snap Nylon (2 qty.)
16	21216-0013	Hex Cap Screw, 5/16"-18 x 1" (8 qty.)
17	21412-0005	Flat Washer, 5/16" (16 qty.)
18	21126-0004	Hex Nut, 5/16"-18 (8 qty.)
19	27396-0004	Heat Slinger with Set Screw (2 qty.)
20	21276-0035	Set Screw, 1/4"-20 x 3/8"
21	22450-0062	Inlet Cone, 9-3/16" (2 qty.)
22a	22523-0002	Clockwise Blower Wheel, 9-3/16" D – Left Side of Lower Oven, Right Side of Upper Oven
22b	22523-0003	Counterclockwise Blower Wheel, 9-3/16" D – Right Side of Lower Oven, Left Side of Upper Oven
23	37115-0151	Inner Shaft Seal (2 qty.)
24	35000-1781	Teflon Seal (2 qty.)
25	35131-0038	Heat Sink Plate (2 qty.)
26	21292-0001	Hex Screw, #10-16 x 3/4"
27	22420-0002	Gasket (Per Foot)

**Additional Components for Gas Ovens**

ITEM NO.	PART NO.	DESCRIPTION
28	35000-1036	Burner Outer Mounting Plate
29	37000-0236	Burner Inner Mounting Plate
30	35112-0075	Burner Tube
31	37000-0659	Adjustable Flame Tube
32	35333-0003	Burner Shield
33	37000-0658	Adjustable Flame Tube Indicator and Shaft
34	21292-0001	Hex Screw, #10-16 x 3/4"

**www.whaleyfoodservice.com**  
VISIT US TODAY!



(Illustration on page 447.)

**Control Compartment**

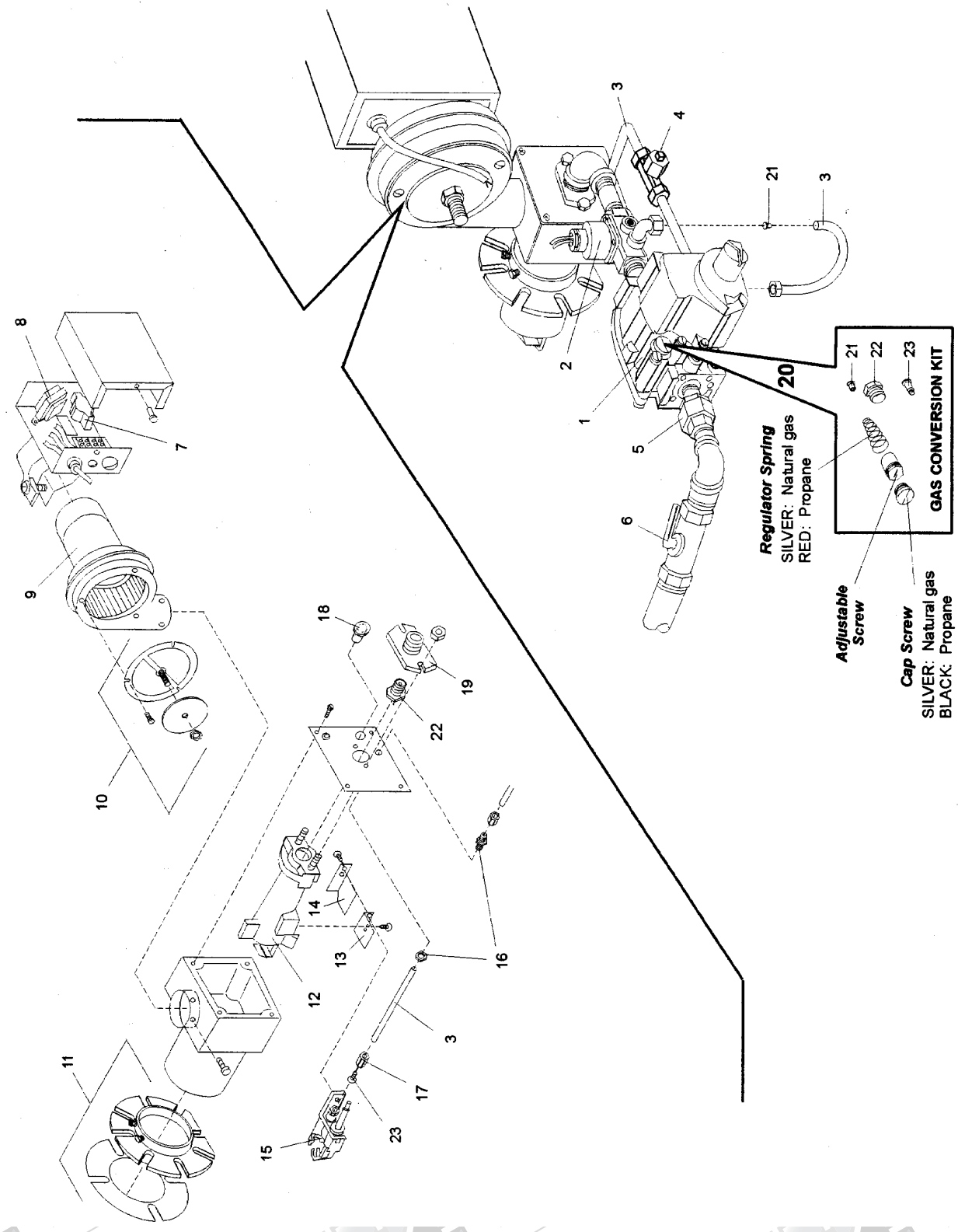
ITEM NO.	PART NO.	DESCRIPTION
1	37000-0449	Panel, Control Door (without Components)
2	36939	Kit, Temperature Controller
3	28021-0062	Selector Switch, 2-Position, Blue (3 qty.)
4	27060-0012	Contact Block with Base (3 qty.)
5	33984	Kit, Thermocouple (2 qty.)
6	27011-0011	Terminal Block, 8-Pole, 30A, 600V
7	21281-0004	Screw, Phl Pan HD #8 x 5/8" (2 qty.)
8a	42400-0273S	Component Panel Assembly – Gas Ovens, Wired – Includes Items 9-16
8b	34710	Component Panel Assembly – 208V/240V Electric Ovens, Wired - Includes Items 9-16
8c	42400-0300	Component Panel Assembly – 380/415/480V Electric Ovens, Wired – Includes Items 9-18
9	35232-0010	Panel (without Components)
10	37337	Kit, Conveyor Speed Controller with Digital Display
11	37503	Digital Display Only
12	21278-0003	Screw, Slit Rnd HD #4-40 x 1/4" (2 qty.)
13	21126-0010	Hex Nut, #4-40 (2 qty.)
14a	27021-0011	Fuse Block, 5P Class "M" (Gas Ovens)
14b	27021-0013	Fuse Block, 7P Class "CC" (Electric Ovens)

ITEM NO.	PART NO.	DESCRIPTION
15a	28154-0013	Fuse, Midget "CC" 15A 600V (Gas Ovens) (5 qty.)
15b	28154-0013	Fuse, Midget "CC" 15A 600V (Electric Ovens) (7 qty.)
16a	28041-0008	Contactor, 4P 25A 120V (Gas Ovens)
16b	28041-0008	Contactor, 4P 25A 120V (Electric Ovens) (2 qty.)
17	27021-0012	Fuse Block, 2P Class "M" (480V Electric Ovens only)
18	28154-0005	Fuse, Midget Time Delay 5A 600V (480V Electric Ovens only) (2 qty.)
19a	No longer available. Use Item 19d.	High Limit Control Module, United Electric Type 54 (Early Gas and Electric Ovens)
19b	28071-0014 Limited availability. If unavailable use Item 19d.	High Limit/Cooldown Control Module, United Electric Type 55 (Later Electric Ovens)
19c	34982	High Limit Control Module, Watlow (Current Electric Ovens)
19d	39733	Kit, High Limit Conversion – Replaces Item 19a or 19b with Item 19c – Includes Reset Switch, Item 20
20	30693	Lighted Reset Switch for Watlow High Limit, 115V
21	28021-0047	Door Safety Switch

**READY TO SERVE YOU.**

A Whaley Parts Specialist is at your service  
7:00am to 6:00pm EST, Monday through Friday.  
In-stock parts orders received by 5:30pm EST are  
shipped the same day.

Express shipping is available for emergency orders.  
Plus all of our Parts Specialists have an extensive  
knowledge of the parts and can assist in your needs.



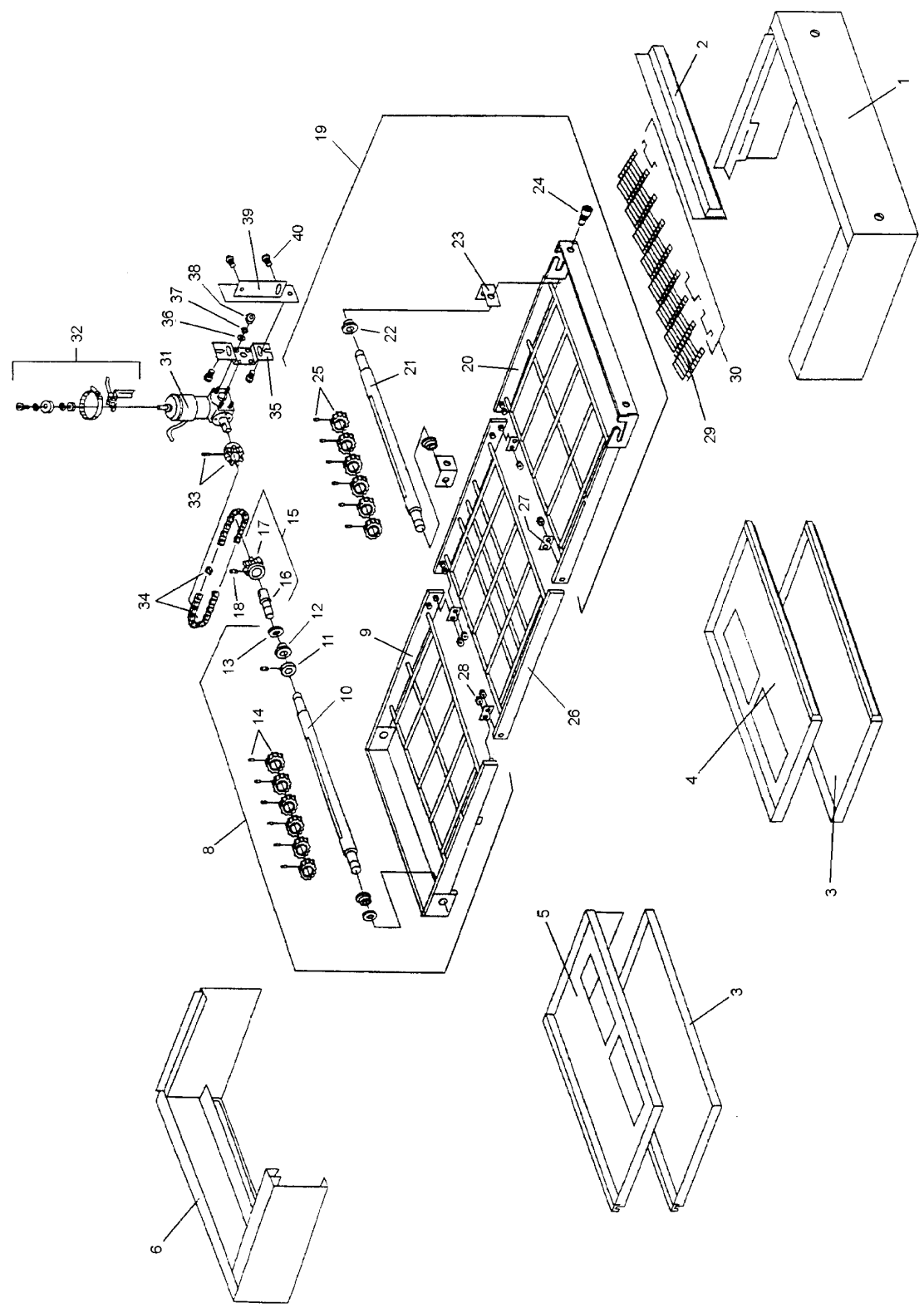
(Illustration on page 449.)

### Gas Burner System (Gas Ovens Only)

ITEM NO.	PART NO.	DESCRIPTION
1	42810-0121	Gas Control Valve, 1/2"
2	28091-0017	Solenoid Valve
3	15125-0002	Tubing, Aluminum, 1/4" Diameter, 1'
4	30185	Kit, Pilot Pressure Tap (Pilot Tee)
5	23051-0003	Union, 1/2"
6	23115-0010	Gas Valve, Manual, 3/4" ID
7	27170-0016	Motor Relay
8	27170-0017	Transformer, 120/240V
9	27170-0011	Motor, Burner Blower

ITEM NO.	PART NO.	DESCRIPTION
10	42810-0087	Kit, External Air Shutter
11	36562	Kit, Burner Mounting Ring
12	27170-0223	Venturi Assembly
13	27170-0264	Bracket, Pilot Ignitor
14	27170-0204	Shield, Pilot
15	42810-0117	Kit, Pilot Ignitor Assembly
16	23052-0007	Fitting, Pilot Bulkhead
17	38284	Fitting, Pilot Tubing
18	38280	Window Plug
19	38279	Main Orifice Holder/Gas Inlet Connector

ITEM NO.	DESCRIPTION	PS310/314	PS360	PS360WB
20a	Kit, Gas Conversion, Natural Gas to Propane – Includes Items 21-23 and Instructions for Conversion	42810-0119	42810-0119	42810-0124
20d	Kit, Gas Conversion, Propane to Natural Gas – Includes Items 21-23 and Instructions for Conversion	42810-0120	42810-0120	42810-0127
21a	Orifice, Bypass 0.065"/1.65mm/#53 Drill – Natural Gas	22174-0006	22174-0006	22174-0006
21b	Orifice, Bypass 0.034"/0.86mm/#62 Drill – Propane	22174-0009	22174-0009	22174-0009
22a	Orifice, Main, 0.219"/5.56mm – Natural Gas, PS310/314/360 Ovens	22176-0004	22176-0004	
22b	Orifice, Main, 0.250"/6.35mm – Natural Gas, PS360WB Ovens			22176-0014
22c	Orifice, Main, 0.134"/3.40mm – Propane, PS310/314/360 Ovens	22176-0003	22176-0003	
22d	Orifice, Main, 0.152"/3.86mm – Propane, PS360WB Ovens			22176-0015
23a	Orifice, Pilot, 0.028"/0.71mm – Natural Gas	22174-0011	22174-0011	22174-0011
23b	Orifice, Pilot, 0.018"/0.46mm – Propane	22174-0010	22174-0010	22174-0010



(Illustration on page 451.)

**Conveyor Assembly, Single-Belt Ovens**

ITEM NO.	DESCRIPTION	PS310	PS314	PS360	PS360WB
1	Cover, Conveyor Extension, Idler End	37000-0471		37000-0469	37200-0023
2a	Conveyor End Stop, Std	35000-1099		35000-1103	35000-1899
2b	Conveyor End Stop, Wide – "Q" Models Only			37000-0524	37000-0524
3	Crumb Pan – All Single Oven, or Lower Oven of 2-Stack (2 qty.)	35000-1067		35000-0948	35000-1861
4	Crumb Pan – Upper Oven (Idler End) of 2-Stack	35000-1078		35000-1077	35000-1862
5	Crumb Pan with Heat Diverter – Upper Oven (Drive End of 2-Stack)	42400-0276		37000-0470	42400-0593
6	Cover, Conveyor Extension, Drive End	37000-0472		37000-0470	37000-0025
7	Conveyor Assembly, Complete (with Belt)	42400-0285	35241	42400-0284	42400-0594
8	Conveyor Assembly – Drive	42400-0281	42400-0440	42400-0283	42400-0595
9	Conveyor Frame – Drive	37000-0438	37000-0670	37000-0408	37200-0026
10	Conveyor Drive Shaft	350000-1072	35000-1072	35000-1012	35000-1864
11	Shaft Collar w/Screw (2 qty.)	22011-0013	22011-0013	22011-0013	22011-0013
12	Bushing, 5/8" ID x 2/4" OD x 1/2" Long (2 qty.)	22034-0003	22034-0003	22034-0003	22034-0003
13	Nylon Spacer	35000-1080	35000-1080	35000-1080	35000-1080
14a	Conveyor Sprocket with Set Screw (5 qty.)	22229-0003	22229-0003		
14b	Conveyor Sprocket with Set Screw (6 qty.)			22229-0003	22229-0003
	Socket Set Screw, 1/4"-28 x 3/8"	21276-0039	21276-0039	21276-0039	21276-0039
15	Drive Sprocket Assembly	42400-0309	42400-0309	42400-0309	42400-0309
16	Drive Shaft Adapter	35000-1013	35000-1013	35000-1013	35000-1013
17	Sprocket, 9T	22152-0017	22152-0017	22152-0017	22152-0017
18	Socket Set Screw, #10-24	21276-0038	21276-0038	21276-0038	21276-0038
19	Conveyor Assembly – Idler	42400-0280	42400-0441	42400-0282	42400-0596
20	Conveyor Frame – Idler	37000-0437	37000-0671	37000-0409	37200-0027
21	Conveyor Idler Shaft	35000-1071	35000-1071	35000-1011	35000-1865
22	Bushing, 5/8" ID x 3/4" OD x 1/2" Long (2 qty.)	22034-0003	22034-0003	22034-0003	22034-0003
23	Tension Adjustment Bracket (2 qty.)	37000-0413	37000-0413	37000-0413	37000-0413
24	Tension Adjustment Bolt (2 qty.)	35000-1008	35000-1008	35000-1008	35000-1008
25a	Conveyor Sprocket with Set Screw (5 qty.)	22229-0003	22229-0003		
25b	Conveyor Sprocket with Set Screw (6 qty.)			22229-0003	22229-0003

ITEM NO.	DESCRIPTION	PS310	PS314	PS360	PS360WB
	Socket Set Screw, 1/4"-28 x 3/8"	21276-0039	21276-0039	21276-0039	21276-0039
26a	Conveyor Frame – Center Standard	37000-0436		37000-0410	37200-0028
26b	Conveyor Frame – Center, Tandem Ovens (2 qty.)			37000-0635	33293
27	Conveyor Pivot Plate	35900-0169	35900-0169	35900-0169	35900-0169
28	Hex Lock Nut, 1/4"-20	21176-0001	21176-0001	21176-0001	21176-0001
29a	Conv. Belt, Complete 174"L	22450-0009	22450-0009	22450-0001	22450-0289
29b	Belt Section, 12"L	33900-0035	33900-0035	33900-0032	33900-0085
30	Master Links Kit	42400-0090	42400-0090	42400-0089	42400-0598
31	Gear Motor, 1400:1	27384-0008	27384-0008	27384-0008	27384-0008
	Brushes, Gear Motor (2 qty.)	22450-0052	22450-0052	22450-0052	22450-0052
32	Pickup Assembly	27170-0263	27170-0263	27170-0263	27170-0263
33a	Sprocket, Standard – 15T w/Set Screw	22152-0018	22152-0018	22152-0018	22152-0018
33b	Sprocket, High Speed Option – 45T with Set Screw			22152-0027	
33c	Sprocket, Tandem Oven – 30T with Set Screw			22152-0022	22152-0022
34a	Roller Chain Assembly – Standard, 52 Links, 25-1/2" with Master Link	42400-0163	42400-0163	42400-0163	42400-0163
34b	Roller Chain Assembly – Tandem Ovens, 62 Links, 30-1/2", with Master Link			42400-0164	42400-0164
35	Motor Mounting Bracket	35000-1021	35000-1021	35000-1021	35000-1021
36	Flat Washer, 1/4" (4 qty.)	21411-0003	21411-0003	21411-0003	21411-0003
37	Lockwasher, 1/4" (4 qty.)	21426-0002	21426-0002	21426-0002	21426-0002
38	Hex Nut, 1/4"-20 (4 qty.)	21126-0009	21126-0009	21126-0009	21126-0009
39	Motor Mounting Weldment	37000-0427	37000-0427	37000-0427	37000-0427
40	Screw, Cap Hex HD 1/4"-20 x 3/4" (4 qty.)	21212-0002	21212-0002	21212-0002	21212-0002



**WE'RE YOUR ONE STOP SHOP  
FOR ALL YOUR PARTS NEEDS!**

