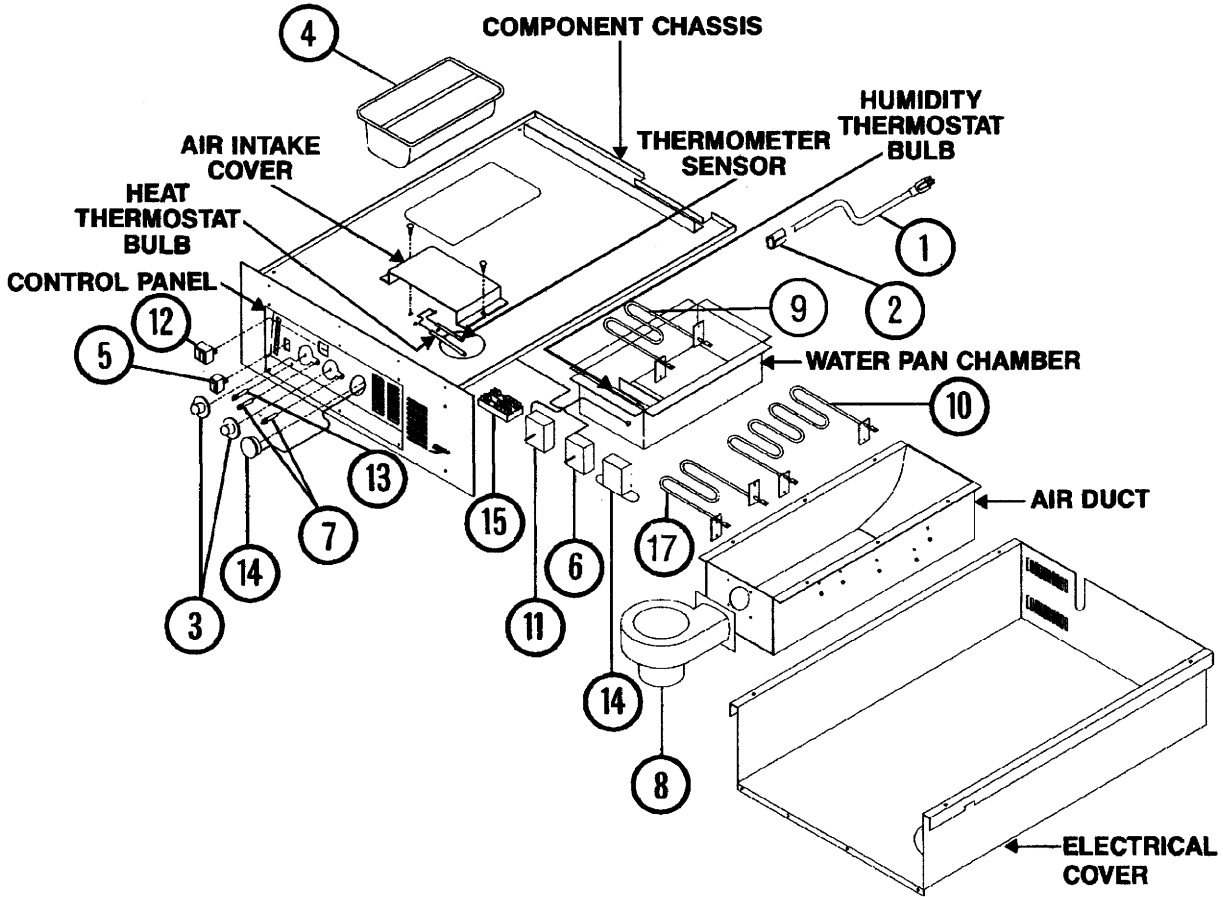


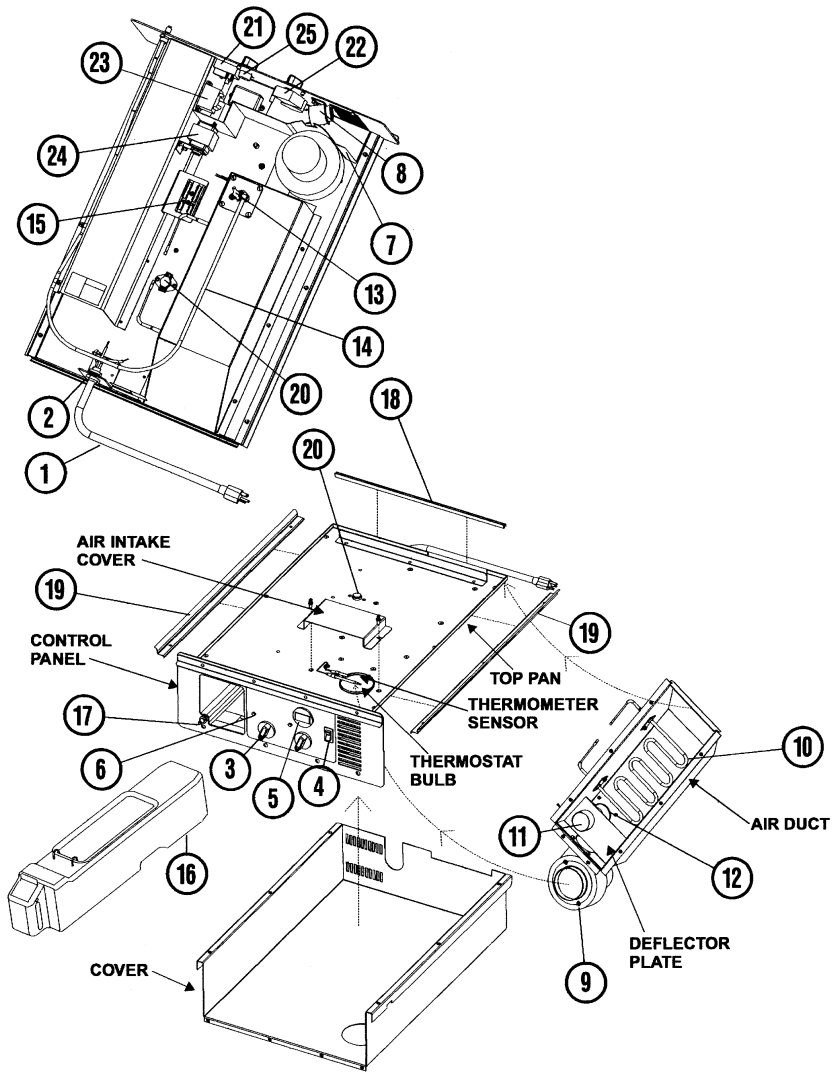
Combo Module



ITEM NO.	PART NO.	DESCRIPTION
1	RPC13-099	Power Cord – 20 Amp
2	RPC13-098	Strain Relief – 20 Amp
3	RPC06-313	Thermostat Knob
4	RPCM20-PAN	Water Pan
5	RPC13-127	Power Switch
6	RPC13-129	Temperature Thermostat
7	RPC13-105	Yellow Indicator Light
8	RPHM20-2103	Circulating Blower
9	RPC13-162	675 Watt Heat Element – Water Pan
10	RPC13-093	Heat Element – Air Duct
11	RPC13-135	Humidity Thermostat
12	RPC13-128	Selector Switch

ITEM NO.	PART NO.	DESCRIPTION
13	RPC13-064	Red Indicator Light
14	RPC13-122	Thermometer & Transformer
15	RPC13-096	Terminal Block – Control Panel
	RPC13-012	Ring Terminal
17	RPC13-162	675 Watt Heat Element – Air Duct
	RPF02-042	Push Nut – Indicator Lights
	RPC11-191	Blower Collar
	RPC13-085	Wire Nuts – 12 GA
	RPC07-044	Grommet – Thermometer Wire
	RPC06-222	Thermostat Bulb Clamp
	RPC13-027	1/4" Spade Terminals

High Humidity Module

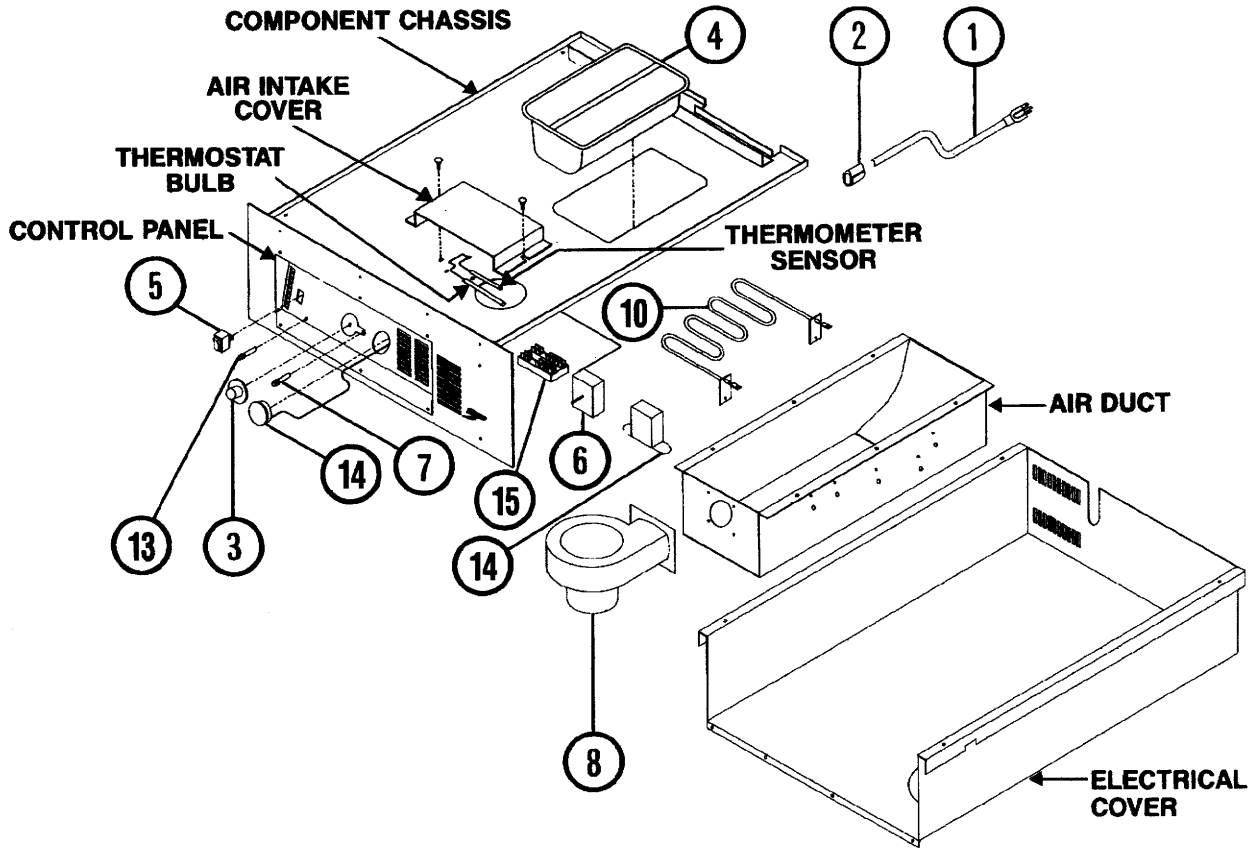


ITEM NO.	PART NO.	DESCRIPTION
1	RPC13-099	Power cord – 20 Amp
2	RPC13-098	Strain Relief – 20 Amp
3	RPC06-746	Knob
4	RPC13-132	Power Switch
5	RPC13-133	Thermometer
6	RPC13-105	Yellow Indicator Light
7	RPC11-398	Heat Shield
8	RPC13-169	Buzzer Alarm
9	RPHM20-2103	Blower
10	RPC13-166	Heat Element
11	RPC09-117	Humidity Generator
12	RPC13-167	Band Heater
13	RPC13-168	Humidity Cut-out Switch
14	RPFL-3/8TUBE	Tubing
15	RPC13-096	Terminal Block
16	RPHM-WBA	Water Bottle
17	RPC15-024	Coupling
18	RPFL20-RMS	Rear Seal
19	RPFL20-SMS	Side Seal
20	RPC13-134	Hi-Temp Cut-out
21	RPC13-172	Percentage Timer
22	RPC13-129A	Thermostat

ITEM NO.	PART NO.	DESCRIPTION
23	RPC13-173	Relay
24	RPC13-174	Transformer
25	RPC13-171	Potentiometer
	RPC13-012	Ring Terminal
	RPF02-042	Push Nut – Indicator Lights
	RPC11-191	Blower Collar
	RPC13-085	Wire Nuts – 12 GA
	RPC07-044	Grommet – Thermometer Wire
	RPC06-222	Thermostat/Thermometer Bulb Clamp
	RPC13-027	1/4" Spade Terminals



Holding Module



ITEM NO.	PART NO.	DESCRIPTION
1	RPC-13-099	Power Cord – 20 Amp
2	RPC13-098	Strain Relief – 20 Amp
3	RPC06-313	Thermostat Knob
4	RPCM20-PAN	Water Pan
5	RPC13-127	Power Switch
6	RPC13-129	Temperature Thermostat
7	RPC13-105	Yellow Indicator Light
8	RPHM20-2103	Circulating Blower
	RPC13-012	Ring Terminal
10	RPC13-093	Heat Element – Air Duct

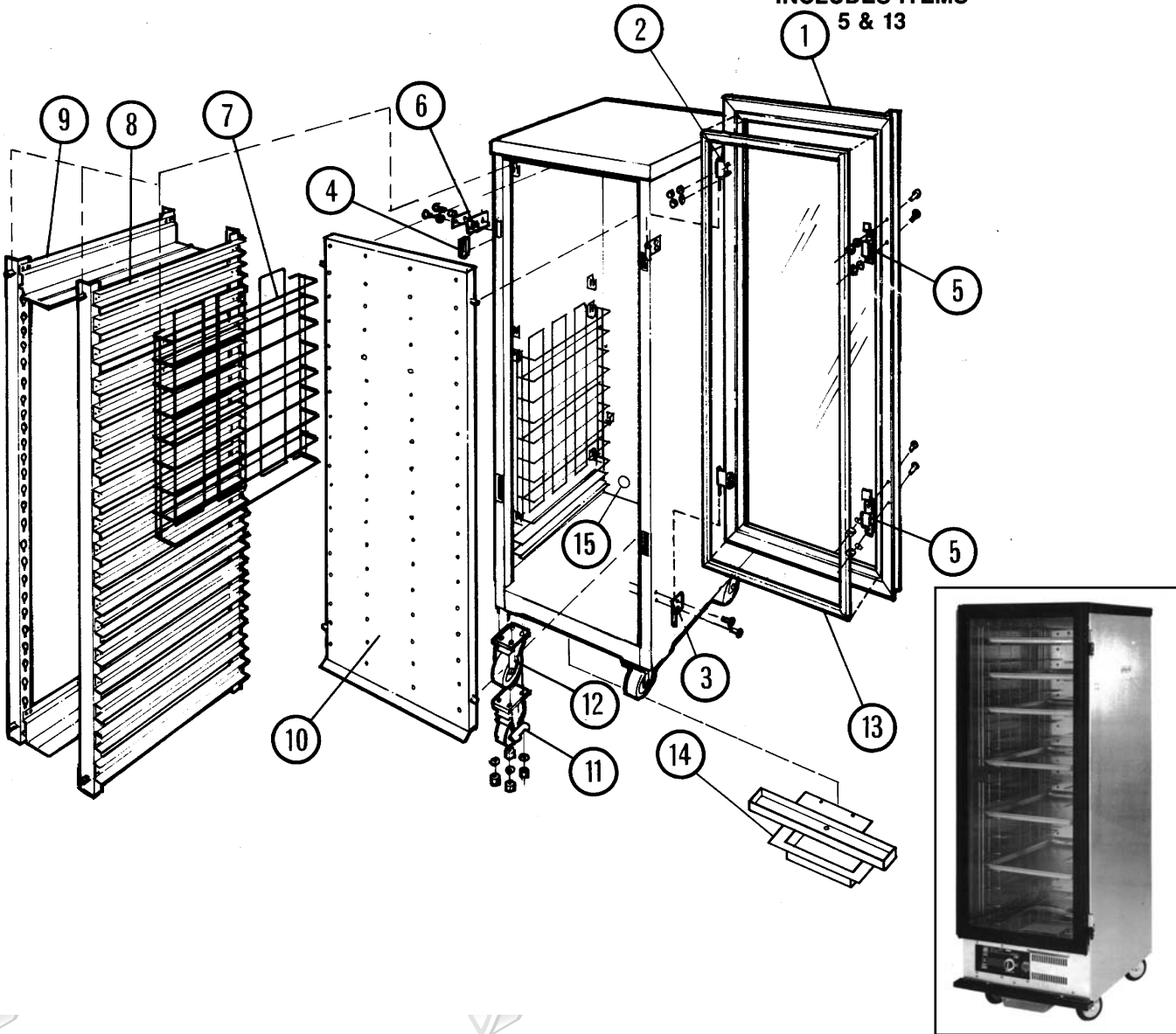
ITEM NO.	PART NO.	DESCRIPTION
	RPF02-042	Push Nut – Indicator Lights
	RPC11-191	Blower Collar
13	RPC13-064	Red Indicator Light
14	RPC13-122	Thermometer & Transformer
15	RPC13-096	Terminal Block – Control Panel
	RPC13-085	Wire Nuts – 12 GA
	RPC07-044	Grommet – Thermometer Wire
	RPC06-222	Thermostat Bulb Clamp
	RPC13-027	1/4" Spade Terminals

C175N Uninsulated Heated Cabinet

METRO

C175N Uninsulated Heated Cabinet

**INCLUDES ITEMS
5 & 13**

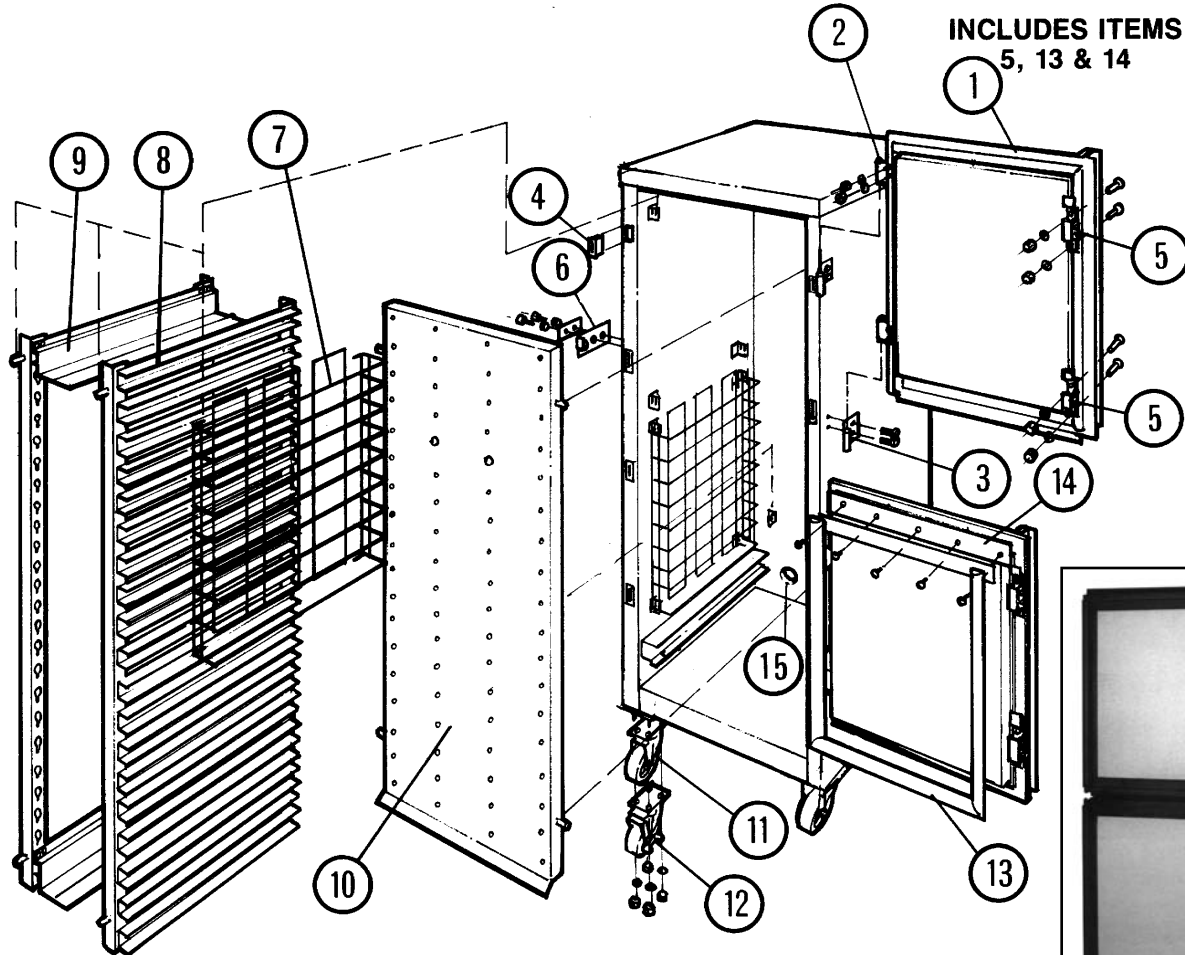


ITEM NO.	PART NO.	DESCRIPTION
1	RPC175-1106	Complete Door
2A	RPF07-050A	Hinge Pin
2B	RPHINGE-035	Door Mounted Hinge
3	RPHINGE-037	Door Hinge-Cabinet Mounted
4	RPC14-038	Magnetic Latch
5	RPC175-STRIKE	Magnet Strike Assembly
6	RPC175-1004	Transport Latch
7	C4SC	Slide Rack (2 qty.)
8	C8SN	Slide Rack (2 qty.)

ITEM NO.	PART NO.	DESCRIPTION
9	CVSN	Adjustable Slide Rack (2 qty.)
10	RPC175-1108	Chimney
11	B5DNB	Caster w/Brake
12	B5DN	Caster w/o Brake
13	RPC06-316	Door Gasket
14	RPC06-179A	Drip Trough Pan-Gray
	RPC06-179	Drip Trough Pan-Clear
15	RPC13-106	Snap Bushing



C199N Insulated Heated Cabinet



**INCLUDES ITEMS
5, 13 & 14**

Drawing shown is of older unit with hasp style door latches.

▶ NOTE: For units manufactured before September 1, 1998.

ITEM NO.	PART NO.	DESCRIPTION
1	RPC199-1102	Complete Door – Upper
	RPC199-1104	Complete Door – Lower
2A	RPF07-050A	Hinge Pin
2B	RPHINGE-035	Door Mounted Hinge
3	RPHINGE-037	Door Hinge-Cabinet Mounted
4	RPC14-038	Magnetic Latch
5	RPC175-STRIKE	Magnet Strike Assembly
6	RPC175-1004	Transport Latch
7	C4SC	Slide Rack (2qty.)

ITEM NO.	PART NO.	DESCRIPTION
8	C8SN	Slide Rack (2 qty.)
9	CVSN	Slide Rack (2 qty.)
10	RPC175-1108	Chimney
11	B5DNB	Caster w/ Brake
12	B5DN	Caster w/o Brake
13	RPC06-317	Door Gasket-Upper/Lower
14	RPC07-032-23.2	Door Seal-Upper/Lower
15	RPC13-106	Snap Bushing