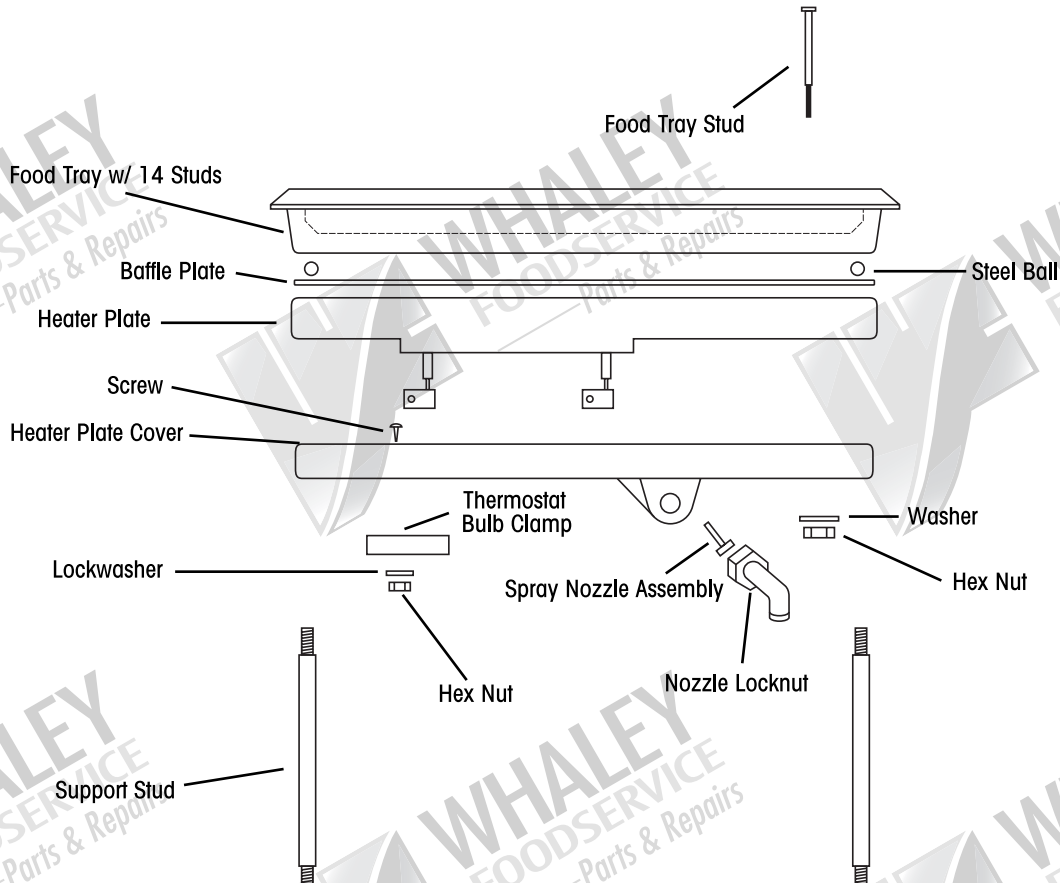
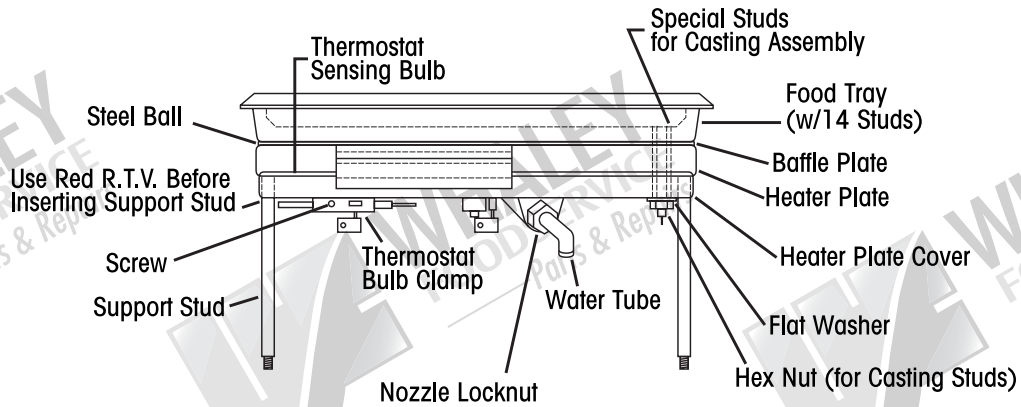
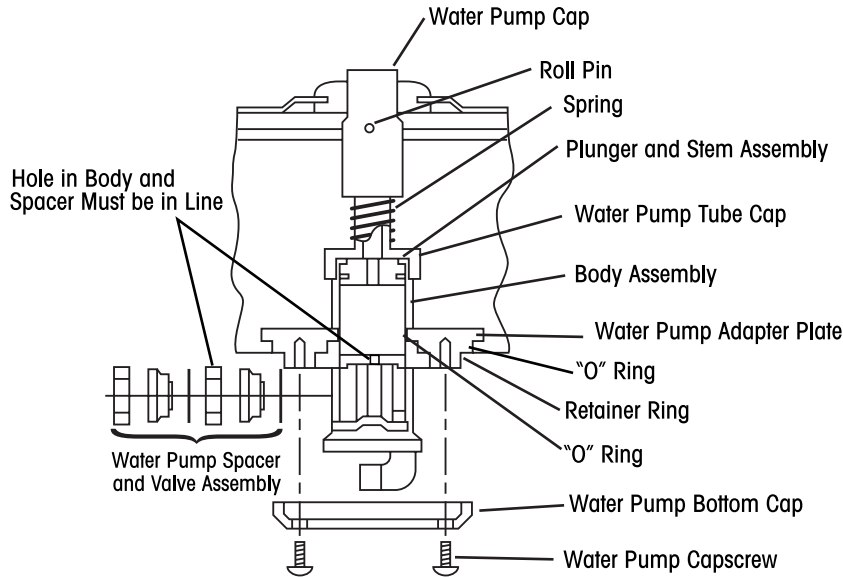


Fresh-O-Matic® Bun Steamer 4000

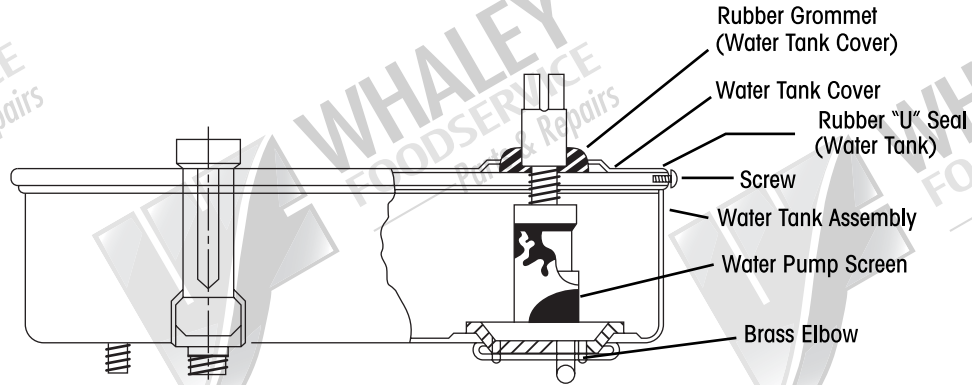
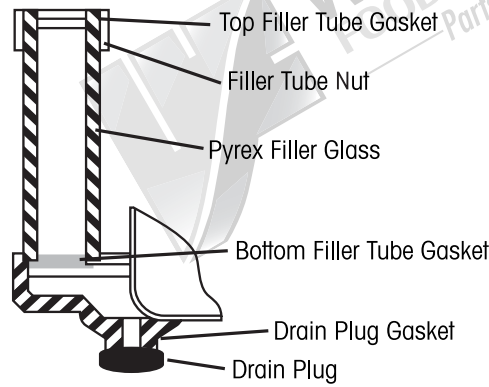




PART NO.	DESCRIPTION
350503	Strain Relief Bushing
350514	Hex Nut SS 8-32 (3 qty.)
350515	Lockwasher SS (8 qty.)
350521	Fiberglass Sleeveing
350522	Screw RHM ZN 6-32 x 3/8
350523	Hex Nut ST 6-32
350524	Lockwasher ZN #6 (3 qty.)
350531	Screw RHTSS #8 x 3/8 (8 qty.)
350538	Shelf Seal
350543	Screw PHMNI 8-32 x 7/8 (4 qty.)
350545	Hinge Pin
350547	Screw PHMSS 8-32 x 3/8 (4 qty.)
350551	Water Tank Cover
350552	Screw RHTSS #4 x 3/8 (2 qty.)
350553	Water Tank Seal
350554	Rubber Grommet
350555	Washer, Flat ZN 5/16 (2 qty.)
350557	Drain Plug
350558	Plug Gasket
350559	Filler Tube Glass
350560	Filler Tube Gasket, Bottom
350561	Filler Tube Gasket, Top
350562	Filler Tube Nut
350563	Filler Tube & Cap
350566	Baffle Plate
350568	Stainless Steel Ball (4 qty.)
350570	Support Stud (4 qty.)

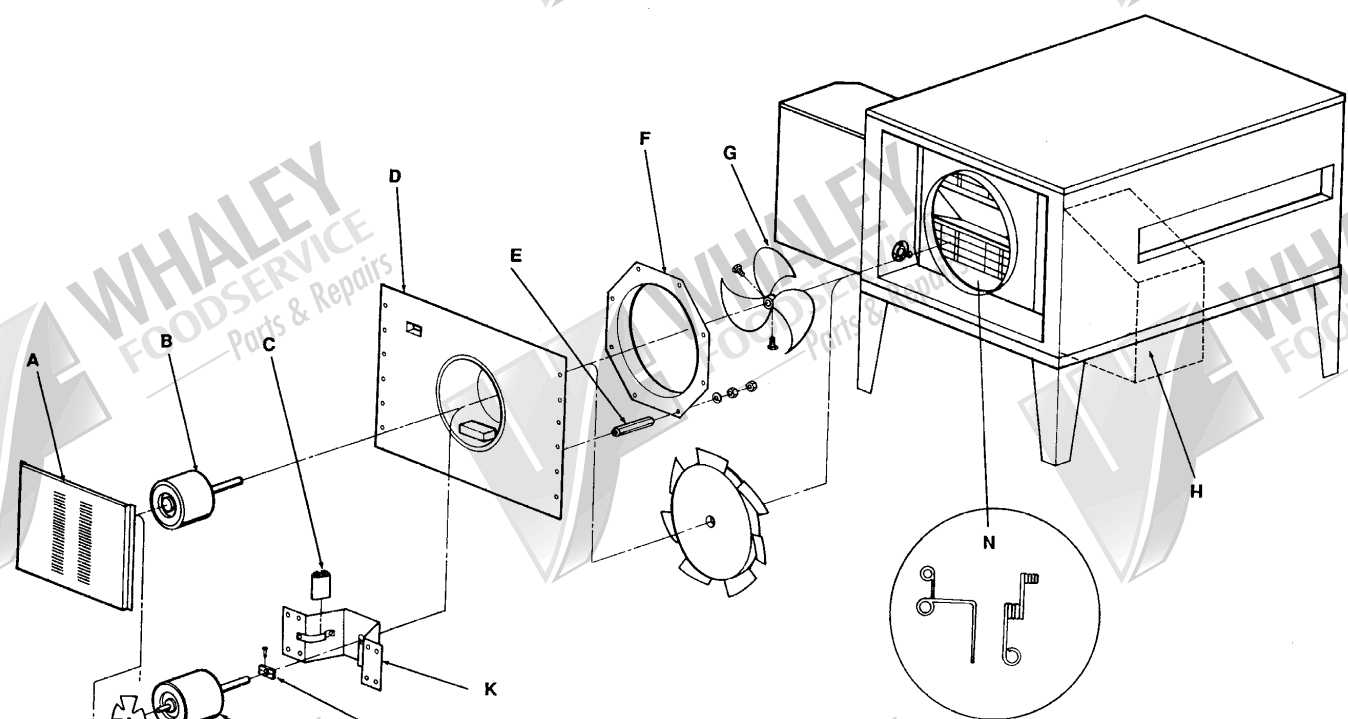
PART NO.	DESCRIPTION
350571	Food Tray Studs (14 qty.)
350572	Flat Washer AL 5/16-18 (16 qty.)
350573	Hex Nut AL 5/16-18 (16 qty.)
350574	Hex Nut SS 1/4-20 (4 qty.)
350575	Lockwasher SS IN 1/4 (4 qty.)
350576	Pump Body Assembly
350577	Pump Plunger & Stem Assembly
350578	Pump Spacer & Valve Assembly
350579	Pump Cap
350580	Pump Spring
350581	Roll Pin
350582	Pump Tube Cap
350583	Pump Adapter Plate
350584	Pump Retainer Ring
350585	Pump Bottom Cap
350586	Pump Cap Screw (4 qty.)
350587	O-Ring
350588	O-Ring
350589	Pump Screen
350591	Pump Lever Pin
350592	Cotter Pin 1/16 x 1/2
350593	Spray Nozzle Assembly
350594	Spray Nozzle Locknut
350595	Water Tube Assembly
350596	Brass Elbow 1/4" OD
350597	Water Tube Nut BR 1/4"
350598	Food Tray Liner





PART NO.	DESCRIPTION	PART NO.	DESCRIPTION
350602	Foot Pad (4 qty.)	350647	Compression Sleeve 1/4"
350603	Front Panel	350701	Speed Nut 1/4" Stud (2 qty.)
350605	Pilot Light 125 Volt Red	350703	Wiring Harness w/Thermal Cut-Off
350620	Thermostat	350704	Wiring Harness
350621	Thermostat Bulb Clamp	350705	On/Off Switch
350622	Screw RHMSS 6-32 x 3/16 (4 qty.)	350710	Pump Assembly
350626	Screw RHMSS 8-32 x 1/2	350713	Nameplate
350627	Cover Assembly Complete	350714	Ring Tongue Terminal (4 qty.)
350628	Cover Liner	350725	Power Cord
350629	Liner Support	350728	Heater Plate Cover
350630	Cover Handle	350729	Heater Plate Assembly Complete
350631	Case Assembly	350727	Heater Plate 120V
350632	Support Assembly	350730	Heater Plate 240V
350635	Shelf	350732	Heater Plate Assembly 240V
350636	Shelf Screw #6 x 1/4 (3 qty.)	350734	Pin Vise Bit FOM (5 qty.)
350637	Hinge End (2 qty.)	350735	Cover Assembly (Black)
350638	Side Handle (2 qty.)	350736	Hinge, Q.D. Leaf FOM (2 qty.)
350639	Bakelite Grommet	350737	Receptacle, Captive, FOM (4 qty.)
350640	Tank Assembly	350738	Screw, Captive, FOM (4 qty.)
350641	Filler Tube Stop	350739	Retainer, Captive, FOM (4 qty.)
350642	Food Tray w/14 Studs	350731	Sealant RTV 3140 Clear
350644	Pump Lever w/Handle	350599	Compound #111 Dow Corning
350645	Pump Lever Bracket	350648	Locktite Sealant 592-31/50CC
350646	Compression Nut BR	350716	RTV Sealant #106

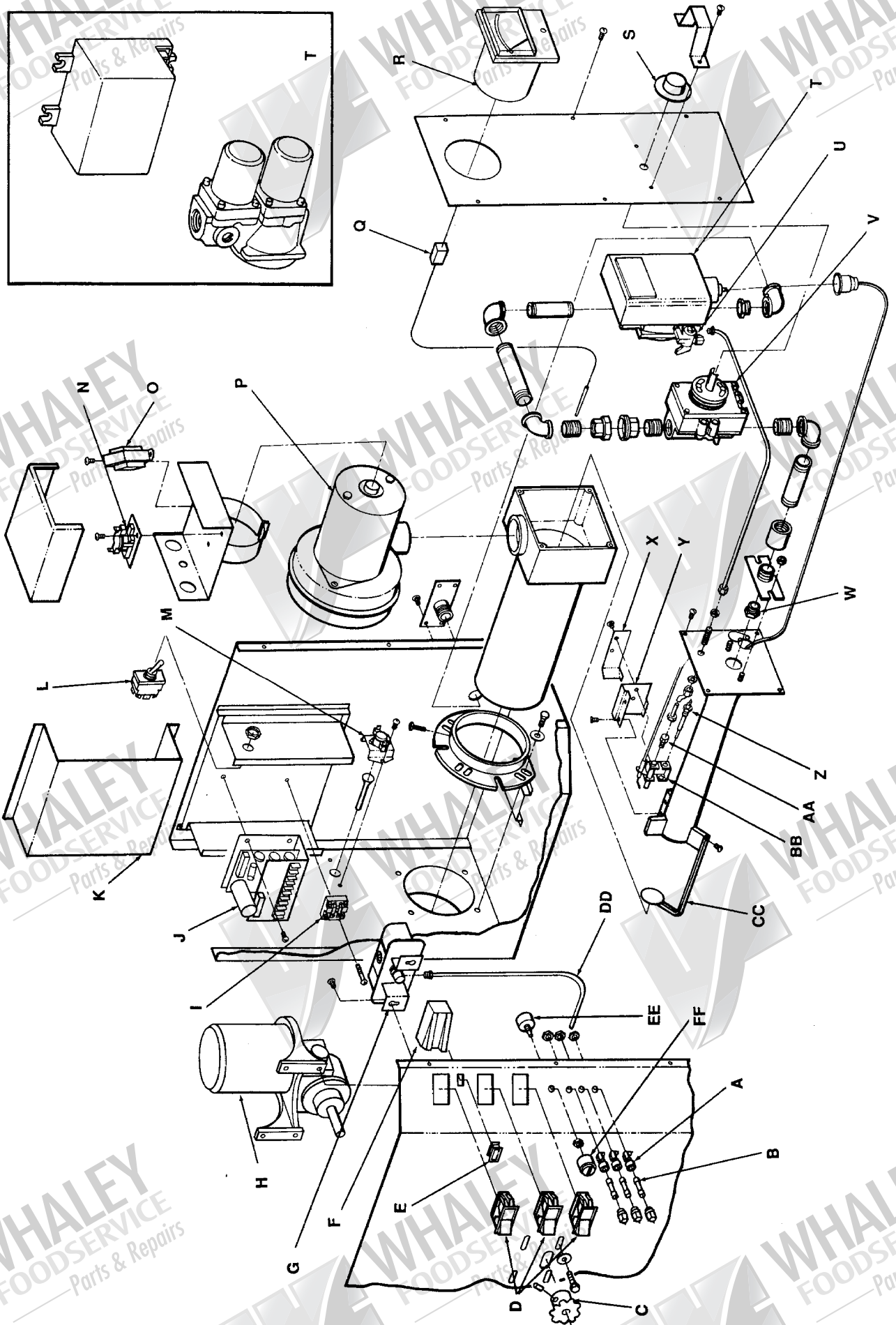
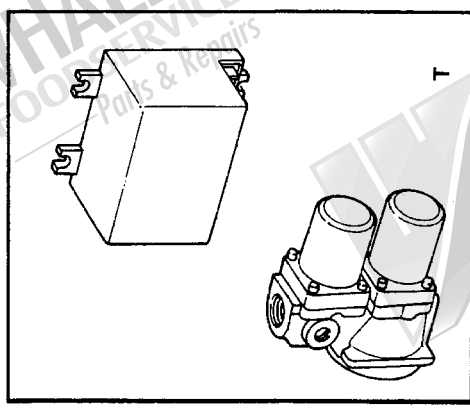
1000-1200 and 1400 Series Impinger® Conveyor Ovens



Oven Back—Gas

ITEM NO.	PART NO.	DESCRIPTION
A	369048	Motor and Fan Cover
B	369212	Motor, s/n Begins with "Q"
	369214	Motor, 50 Hz, 240V
C	369192	Capacitor 7.5 MFD, 370 VAC
D	369045	Oven Back – s/n 4612 & Below
	369306	Oven Back Assembly – s/n 4613 & Above
E	369646	Rod, Stand-Off
F	369647	Inlet Panel, 16"
G	369213	Fan, s/n Begins with "Q"
H	369044	Fan
J	369026	Heat Slinger Bar
K	369215	Motor Support Assembly – s/n Q4613 & Above

ITEM NO.	PART NO.	DESCRIPTION
	369028	Motor Mount Support Assembly – s/n 4612 & Below
L	369020	Oven Fan Motor – s/n 4612 & Below
M	369027	Motor Cooling Fan
N	369545	Wire Form, Thermostat Bulb
	369547	Wire Form, Thermostat Bulb – 1040 Series
	369318	Cone Conversion Kit 60HZ Replaces N.L.A. Fan Assembly with New Style Oven Back Assembly
	369321	Cone Conversion Kit 50 HZ Replaces N.L.A. Fan Assembly with New Style Oven Back Assembly



**1000, 1001, 1050, 1051, 1004, and 1005
s/n 100 to 4389**

ITEM NO.	PART NO.	DESCRIPTION
A	369012	Fuseholder
B	369013	Fuse, 3 Amp
	369014	Fuse, 10 Amp
C	369066	Sprocket, Drive – Prior to s/n 4390
D	369260	Switch, On/Off
E	350225	Lens, Red
F	369104	Pilot Light, 24 VAC
G	369025	Blower Air Switch
H	369022	Conveyor Motor – Prior to s/n 4390
	369113	Brush
	369114	Brush Cap
	369115	Brush Spring
I	369032	Relay
J	369008	D.C. Conveyor Controller – s/n 4389 & Below
K	369079	Relay Cover
L	369080	Reverse Switch w/Harness – Prior to s/n 4390
M	369007	Temperature Sensing Switch
	369902	Sensing Rod Switch

ITEM NO.	PART NO.	DESCRIPTION
O	369531	Transformer, 120/240V – 40VA
P	369366	Burner Blower Motor Kit
Q	369009	Thermocouple
R	369029	Temperature Gauge
S	369108	Thermostat Knob (°F)
T	369263	Gas Valve (Body Only), NAT/LP
	369393	Ignition Control, NAT & LP
U	369344	Pilot Shut-Off Valve
V	369006	Temperature Control Valve
W	369072	Main Burner Orifice, Natural Gas
	369099	Main Burner Orifice, LP
X	369144	Pilot Shield, Extension
Y	369202	Pilot Shield, Main
Z	369075	Flame Sensor
AA	369073	Pilot Orifice, Natural Gas
	369100	Pilot Orifice, LP
BB	369076	Burner Ignitor
CC	369142	Flame Target
DD	369067	Air Switch Tube
EE	369063	Conveyor Speed Controller – Prior to s/n 4390
FF	369064	Conveyor Speed Control Dial

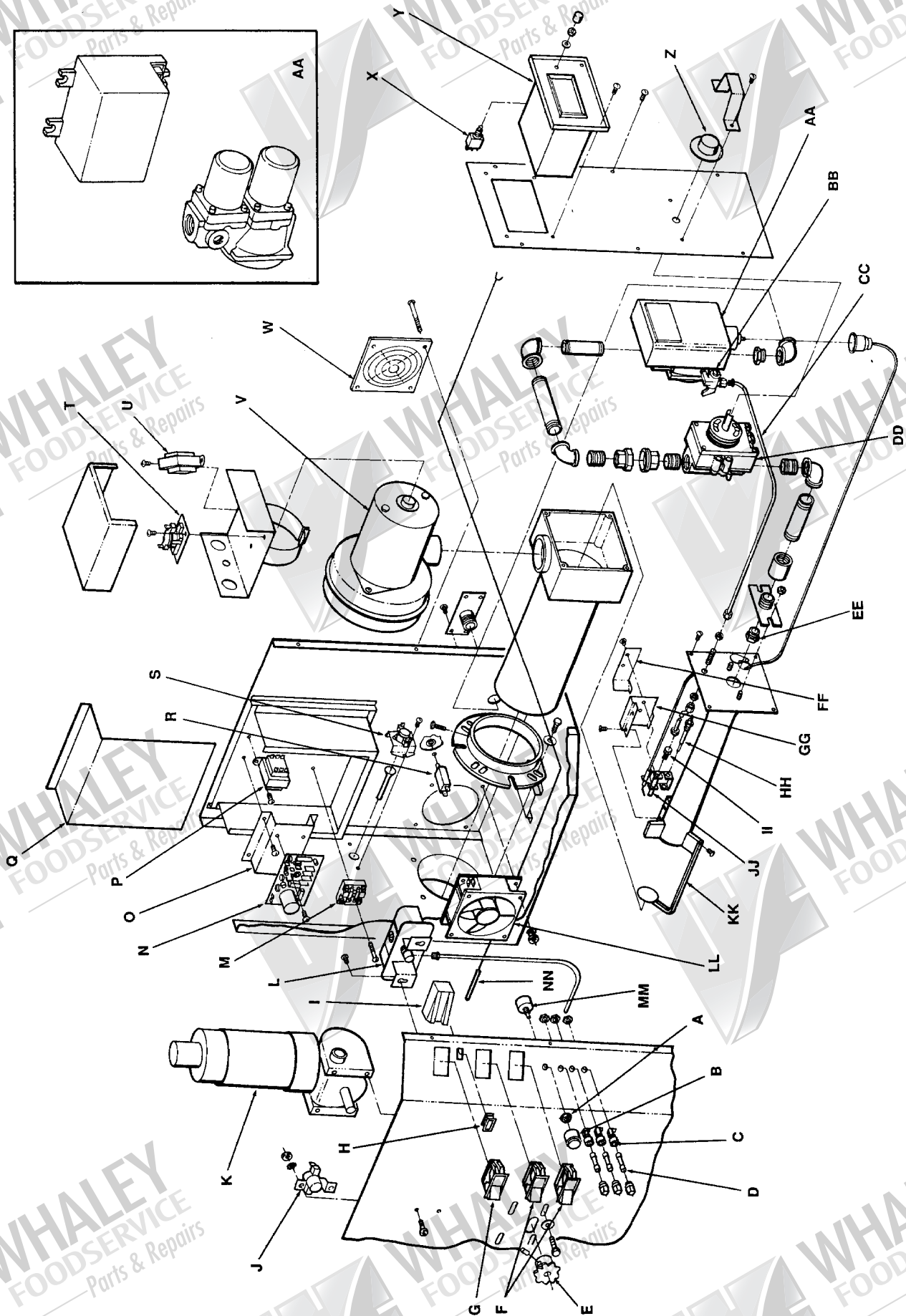
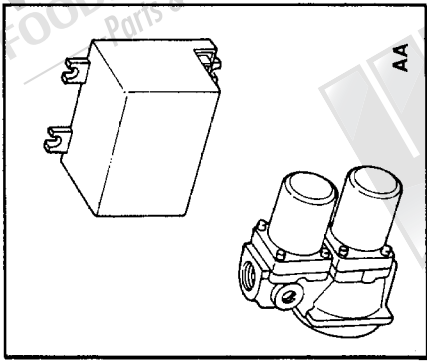


INFO AT YOUR FINGERTIPS!

Whaley Foodservice Repairs offers an online system of equipment parts, service manuals, wiring diagrams, and much more.

You can even keep an electronic record of your maintenance schedule. Go to www.whaleyfoodservice.com. Click the icon for online ordering.





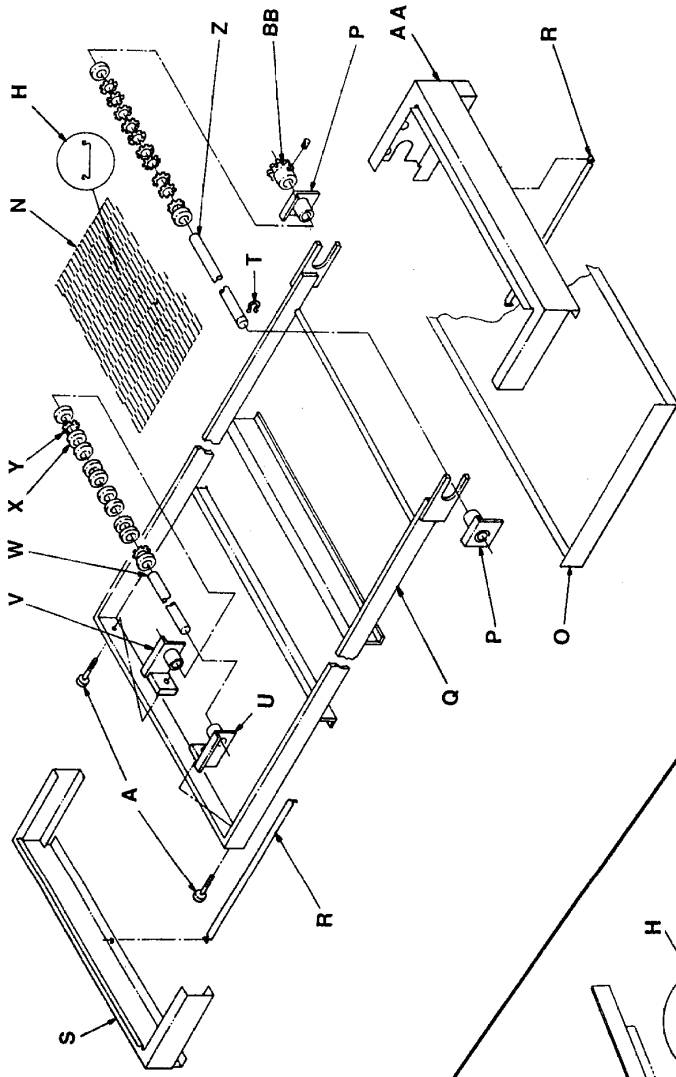
**1000, 1001, 1050, 1004, and 1005
s/n 4390 and Above**

ITEM NO.	PART NO.	DESCRIPTION
A	369247	Shaft Lock Ring
B	369248	Knob
	369064	Conveyor Speed Control Dial (Non-Digital Display Ovens)
C	369012	Fuseholder
D	369013	Fuse, 3 Amp
	369014	Fuse, 10 Amp
E	369158	10 Tooth Sprocket – s/n 4390 & Above
F	350705	Switch On/Off
G	369260	Double Pole Fan Switch
H	350225	Lens, Red
I	369104	Pilot Light, 24 VAC
J	369507	Cooling Fan Thermostat
L	369025	Blower Air Switch
M	369032	Relay
N	369155	Conveyor Motor Control Board
	357028	Fuse, Non-Delay, 1A 250V
	369201	Fuse, 4 Amp, 250V
O	369240	Hi Hat
P	369173	Control Transformer
Q	369363	Unit Relay Cover Top LH
R	369154	0.7 Amp Circuit Breaker
S	369007	Temperature Sensing Switch

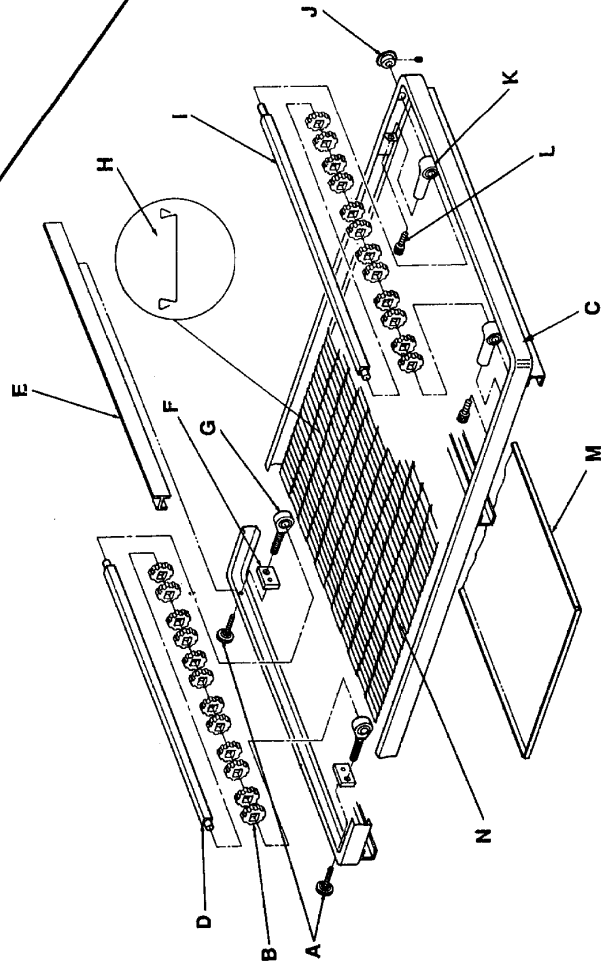
ITEM NO.	PART NO.	DESCRIPTION
	369902	Sensing Rod Kit
U	369531	Transformer 120/24V – 40VA
V	369366	Burner Blower Motor Kit
W	369331	Finger Guard, Cooling Fan
X	369167	Set Switch Assembly
Y	369172	Digital Display
	369029	Temperature Gauge
	369009	Thermocouple used with Temperature Gauge
Z	369108	Thermostat Knob (°F)
AA	369263	Gas Valve (Body Only) NAT/LP
	369393	Ignition Control NAT & LP
BB	369344	Pilot Shut-Off Valve
CC	369086	Pilot Line Assembly – s/n 121 & Above
DD	369006	Temperature Control Valve
EE	369072	Main Burner Orifice Natural Gas
	369099	Main Burner Orifice LP
FF	369144	Pilot Shield Extension
GG	369202	Pilot Shield Main
HH	369075	Flame Sensor
II	369073	Pilot Orifice Natural Gas
	369100	Pilot Orifice LP
JJ	369076	Burner Ignitor
KK	369142	Flame Target
LL	369124	Cooling Fan Control Box
MM	369152	Oven Conveyor Control Pot.
NN	369193	Thermistor Probe



www.whaleyfoodservice.com
VISIT US TODAY!



SN 2163 And Below



SN 2164 And Above

Model Series 1000—Conveyor

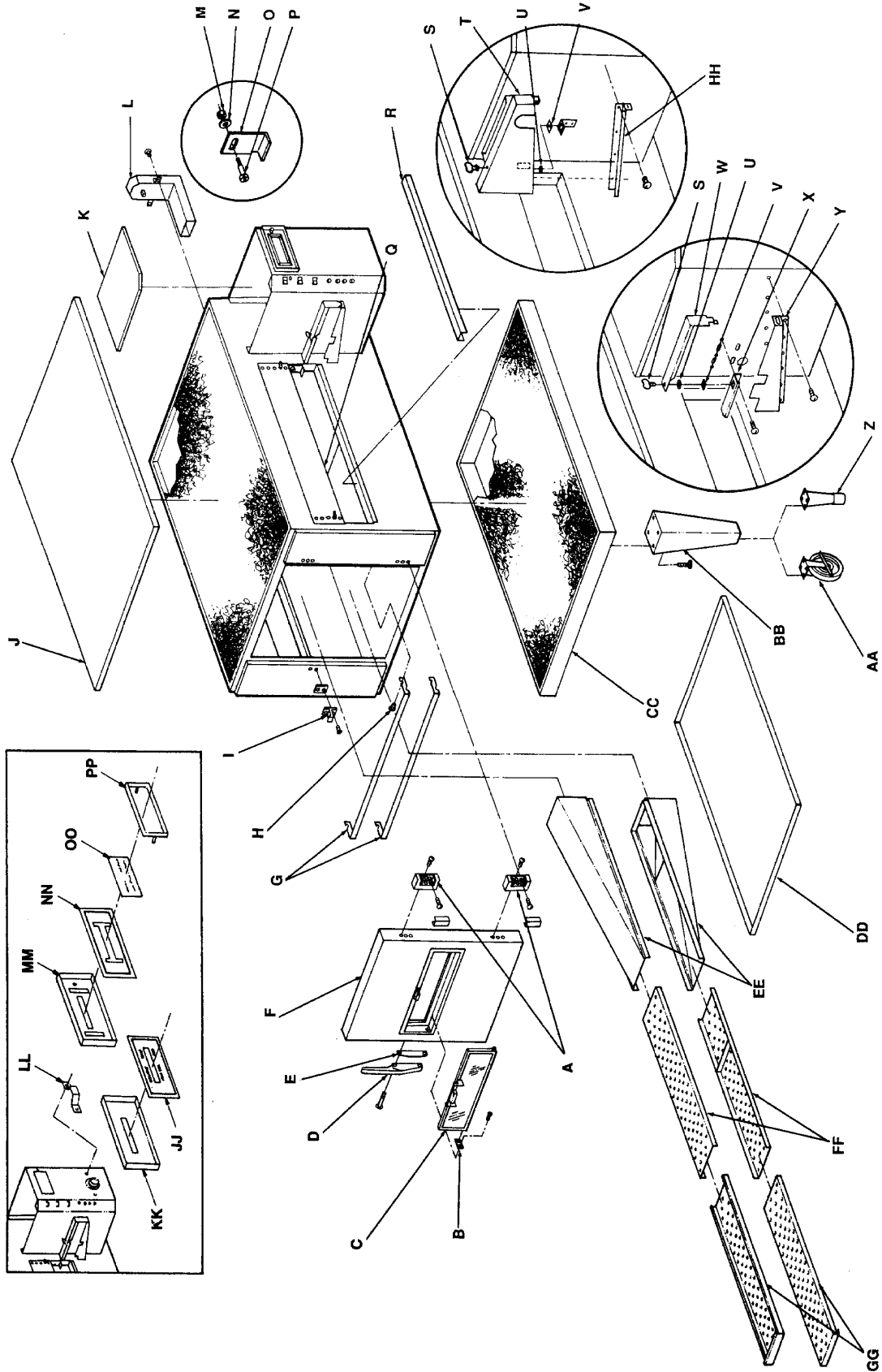
ITEM NO.	PART NO.	DESCRIPTION
A	369002	Tension Knob, Conveyor
B	369314	Roll, Conveyor-Notched
C	369835	Conveyor Frame Assembly
D	369312	Conveyor Shaft, Idler
E	369160	Conveyor Pan Stop
F	369641	Idle Bearing Bracket
G	369220	Idle Bearing
H	369005	Conveyor Belt Connecting Link
I	369237	Conveyor Drive Shaft
J	369161	Roller Chain Sprocket, s/n 2164-Q14973 (Gas) s/n 2164-Q19077 (Electric)
	369066	Drive Sprocket s/n Q14974 & Above (Gas) s/n Q19078 & Above (Electric)
	369413	Drive Key

ITEM NO.	PART NO.	DESCRIPTION
K	369219	Rod End, Female
L	369644	Screw 1/2-20 x 3/4
M	369206	Crumb Pan
N	369163	Conveyor Belt
	369362	Conveyor Belt by Foot
O	369143	Crumb Pan
P	369036	Drive Bearing Assembly
R	369380	Conveyor Guard Strap
S	369060	L.H. Conveyor Guard Assembly
T	369037	Snap Ring
U	369034	L.H. Conveyor Idler Bearing Assembly
V	369035	R.H. Conveyor Idler Bearing Assembly
W	369042	Idler Shaft
X	369039	Blank Drive Gear
Y	369038	Notched Drive Gear
Z	369043	Drive Shaft
AA	369059	R.H. Conveyor Guard Assembly
BB	369040	Conveyor Sprocket (Uses 369042)

INFO AT YOUR FINGERTIPS!

Whaley Foodservice Repairs offers an online system of equipment parts, service manuals, wiring diagrams, and much more.

You can even keep an electronic record of your maintenance schedule. Go to www.whaleyfoodservice.com. Click the icon for online ordering.



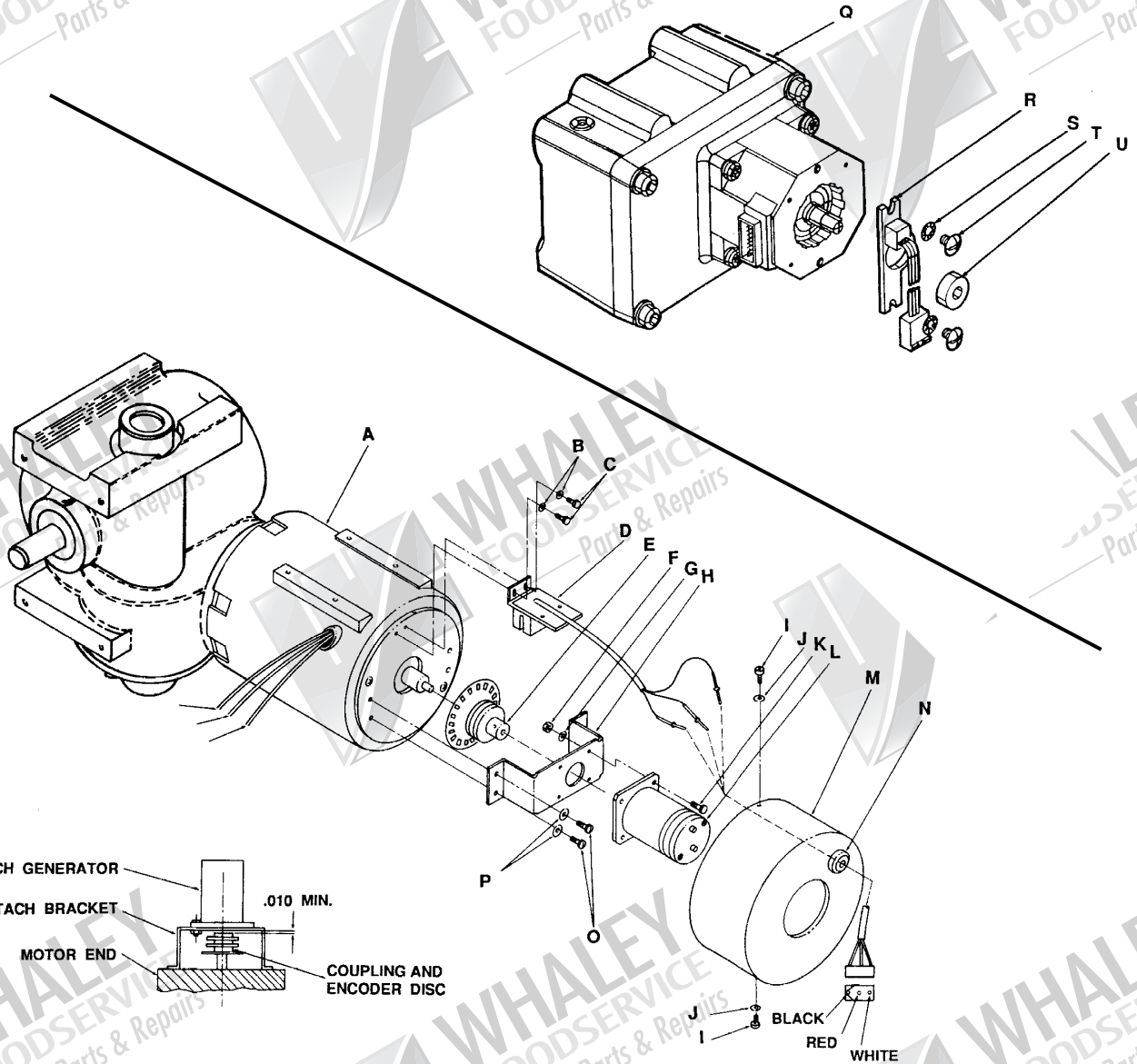
Model Series 1000 and 1200 General

ITEM NO.	PART NO.	DESCRIPTION
A	369003	Door Hinge
B	369207	Handle Retainer
	369337	Retainer
C	369110	Access Window Assembly
D	369209	Latch & Strike
E	369828	Handle Spacer
F	369157	Complete Door
G	1534	Finger Support Assembly
H	369057	Support Bracket Pins
I	369643	Strike Assembly
J	1009	Oven Top
K	369062	Top, Control Panel
L	369046	Flue Assembly (Gas)
	369367	Flue Assembly (Electric)
M	369140	Compression Spring
N	369903	Flat Washer, 5/16"
O	369141	Conveyor Hold Down Bracket
P	369139	Shoulder Screw
Q	369058	Baffle, Inlet and Outlet
	369211	Thumb Screw
R	369369	Seam Cover, Conveyor Opening
S	369203	Stud Wing Head
T	369749	Chain Cover Assembly- s/n Q14974 & Above
U	369204	Split Ring Retainer

ITEM NO.	PART NO.	DESCRIPTION
V	369373	Receptacle Snap In
W	369205	Chain Guard Cover – s/n 2164 to Q14973
X	369651	Top, Chain Guard – s/n 2164 to Q14973
Y	369379	Bottom, Chain Guard – s/n 2164 to Q14973
Z	369052	Adjustable Leg
AA	369030	Caster 6"
BB	369328	Leg, Stand
CC	369904	Insulation Holder Assembly
DD	369218	Internal Crumb Pan
EE	369053	Finger Housing
FF	Please Call	Columnating Plates
GG	369055	Finger Cover
HH	369748	Bracket, Chain Cover – s/n Q14974 & Above
JJ	369690	Label, Time/Temp Display Cover
KK	370048	Instrument Cover
LL	369673	Thermostat Guard
MM	369244	Instrument Cover Assembly
NN	369887	Instrument Cover Label
OO	369886	Window °F
	369199	Window °C
PP	369246	Display Bezel



**WE'RE YOUR ONE STOP SHOP
FOR ALL YOUR PARTS NEEDS!**



**Conveyor Motor Assembly
s/n 4390 and Above**

ITEM NO.	PART NO.	DESCRIPTION
A	369291	Motor, DC – Conveyor
	369384	Motor Brush Assembly
B	369294	#4 Lockwasher
C	369296	Screw, 4-40 x 1/4
D	369290	Optical Encoder Assembly
E	369151	Coupling and Encoder Disc (.050" Allen Wrench Included)
F	369146	Hex Nut, 4-40
G	369294	#4 Lockwasher
H	369292	Bracket, Tach. Generator
I	369297	Screw, 6-32 x 1/4

ITEM NO.	PART NO.	DESCRIPTION
J	369156	#6 Lockwasher
K	369293	Screw, 4-40 x 3/8
L	369150	Tach. Generator
M	369298	Dust Cover
N	369299	Bushing
O	350247	Screw, 10-32 x 3/8
P	369295	#10 Lockwasher
Q	369603	Stepper Motor Gearbox Assembly – Includes R, S, T, U
R	369737	Hall Effect Sensor
S	369900	#8 Lockwasher
T	369658	Screw, 8-32 x 1/4
U	369736	Magnet