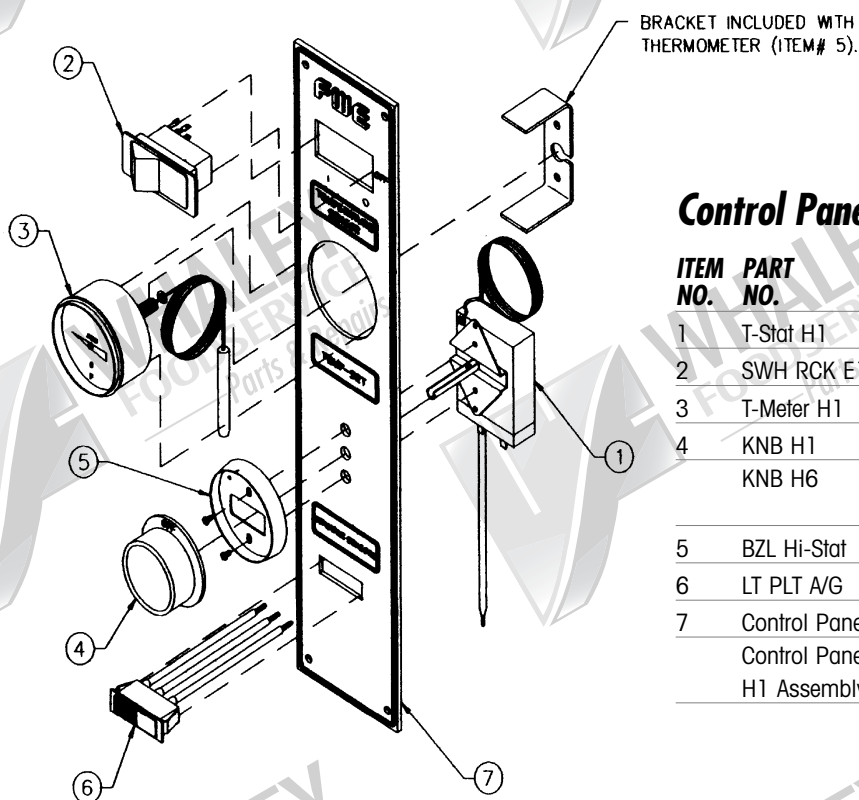


Humi-Temp Heat System

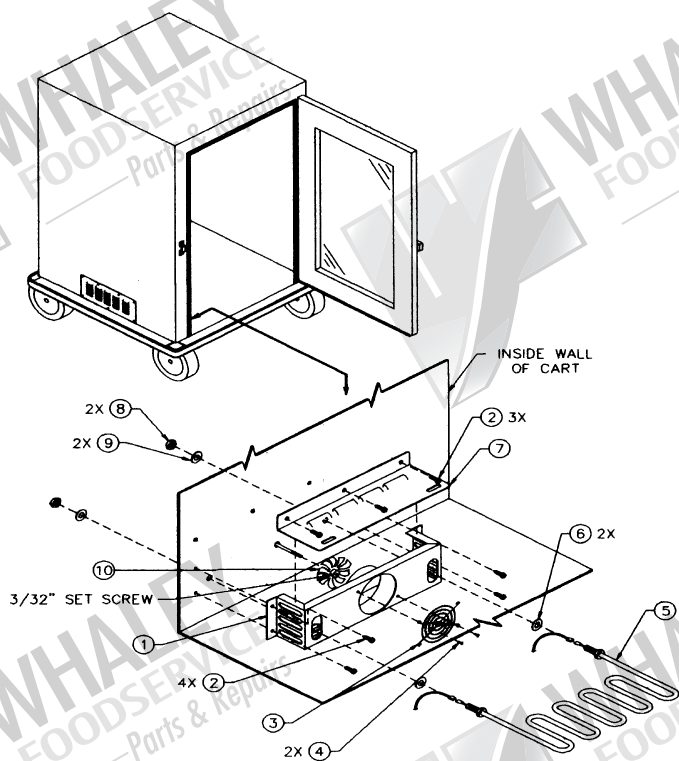


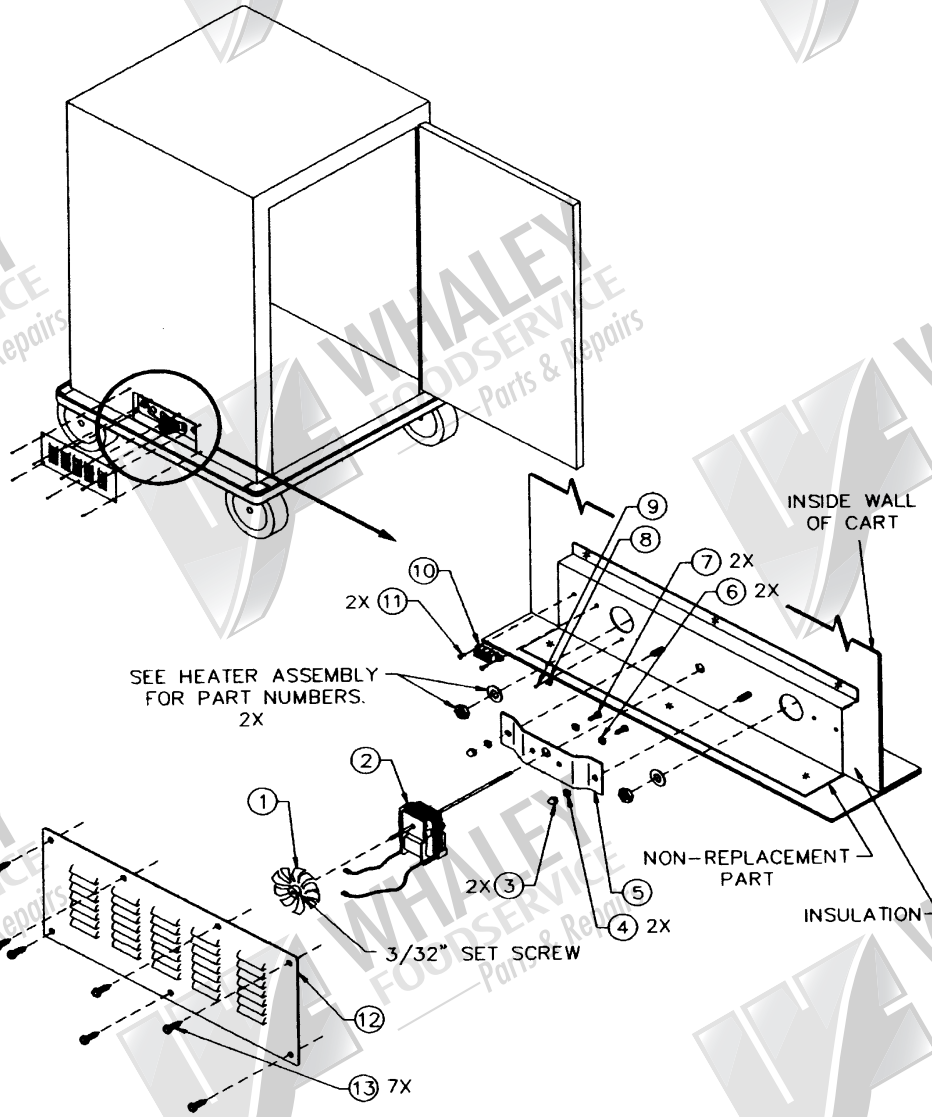
Control Panel Inside Assembly

ITEM NO.	PART NO.	DESCRIPTION
1	T-Stat H1	36" Thermostat
2	SWH RCK E1	Unlighted, On/Off Rocker Switch 2"x1"
3	T-Meter H1	Thermometer 20°-220°F (0°-105°C)
4	KNB H1	Thermostat Knob 90°-190°F (30°-90°C)
	KNB H6	Thermostat Knob, Aluminum Skirt w/Black Arrow
5	BZL Hi-Stat	Chrome Bezel for Use with the Thermostat Knob
6	LT PLT A/G	Indicator Light, Amber/Green Rectangle
7	Control Panel H1	Control Panel Only (No Components)
	Control Panel	Control Panel Fully Assembled
	H1 Assembly	w/All Components

Control Panel Inside Assembly

ITEM NO.	PART NO.	DESCRIPTION
1	4011	Blower Housing
2	S8X10HXWHCTS	Screw 8 x 5/8 Hex Wash A
3	GRD FAN	Fan Guard
4	S6-32X8PHS	Screw 6-32x.5
5	EL1250/115HT	Element 11x8, 115V - 1250w
	EL1250/220HT	Element 11x8, 220V - 1250w
	EL1500/115HT	Element 11x8, 115V - 1500w
	EL1500/220HT	Element 11x8, 220V - 1500w
6	Supplied with Item 5	Washer
7	4041	Humi-Temp Blower Lid
8	Supplied with Item 5	Hex Head Bolt
9	Supplied with Item 5	Washer
10	BLD FAN AL	3" Blower Humi-Temp Aluminum Fan Blade



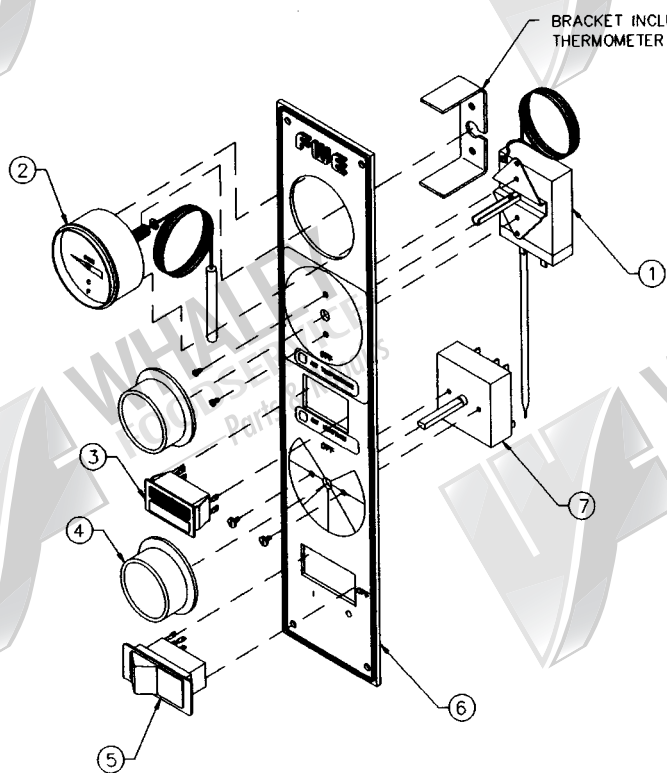


Outside Assembly

ITEM NO.	PART NO.	DESCRIPTION
1	BLD FAN AL	3" Blower Humi-Temp Aluminum Fan Blade
2	MTR JK12092	Motor, 115V
	MTR JK22093	Motor, 220V
3	N10-24CAP	Nut Cap Acorn Hex 10-24 SS
4	W1/4SL-SS	Washer #10 Split Lock SS
5	BRCKT SIDE	Motor Mounting Bracket

ITEM NO.	PART NO.	DESCRIPTION
6	W1/4SL-SS	Washer #10 Split Lock SS
7	B1032X8HHMS	Bolt 10-32x.5 Hex Head Machine Screw
	B1032X8HHMS	Bolt 10-32x.5 Hex Head Machine Screw
8	W1/4SL-SS	Washer #10 Split Lock SS
9	S8X10HXWHCTS	Screw 8 x 5/8 Hex Head
10	TRM 3QC	Terminal Block
11	PR AD56ABS	Pop Rivet
12	4017	Humi-Temp Louvered Panel
13	S8X10HXWHCTS	Screw 8 x 5/8 Hex Head

Moisture-Temp Heat System

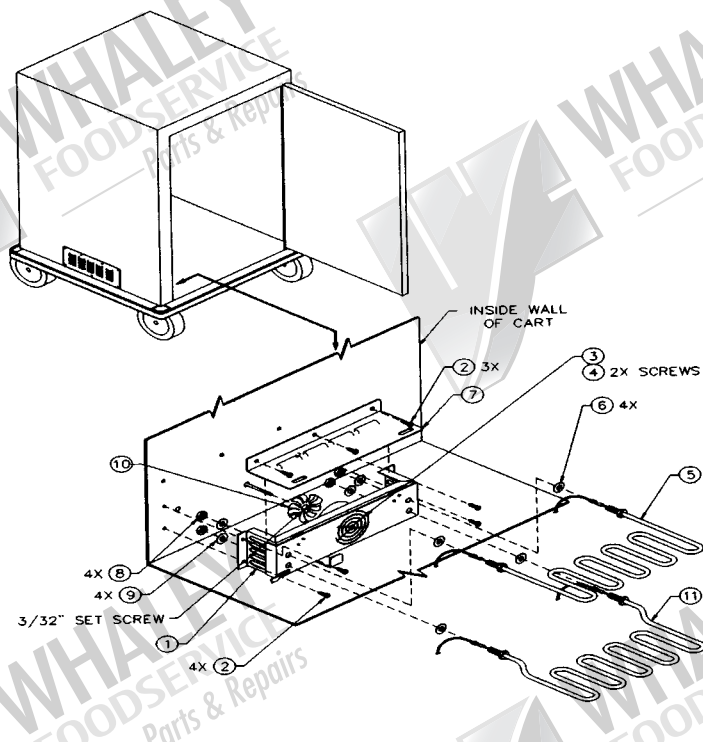


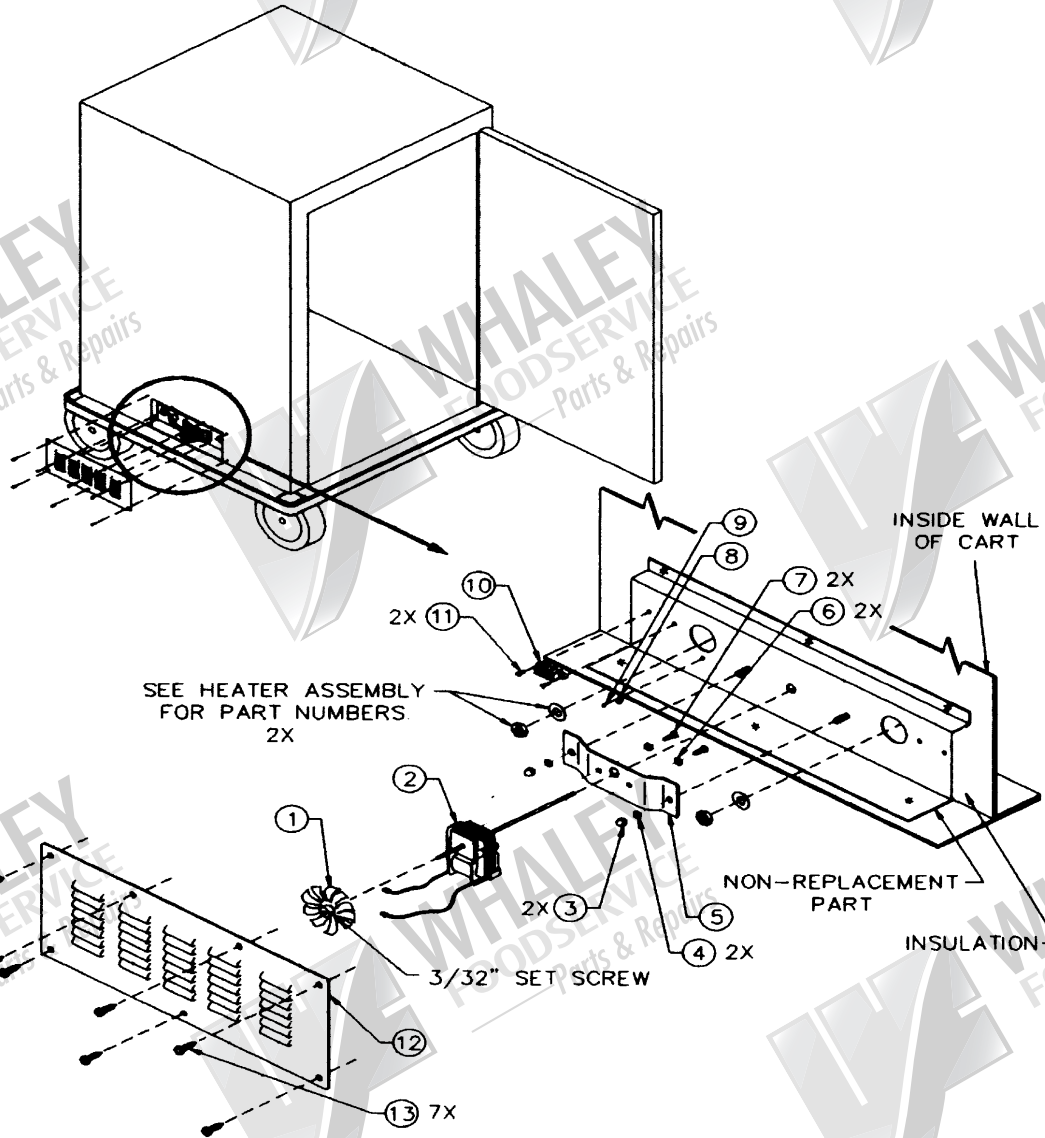
Control Panel Inside Assembly

ITEM NO.	PART NO.	DESCRIPTION
1	T-STAT H1	36" Thermostat
2	T-METER H1	Thermometer 20-220F (0-105C)
3	LT PLT W/A	Indicator Light, White/Amber 125V Rectangle
4	KNB H6	Thermostat Knob, Aluminum Skirt w/Black Arrow
	KNB H1	Thermostat knob, 90°-190°F (30°-90°C)
5	SWH RCK LE1	Lighted Rocker Switch 2"x1"
6	CNTRL PNL MT	Control Panel Only (No Components)
7	T-STAT INF1	Thermostat for Proofer, 115V
	T-STAT INF2	Thermostat for Proofer, 220V
	Control Panel Mt Assembly	Control Panel Fully Assembled w/All Components

Control Panel Inside Assembly

ITEM NO.	PART NO.	DESCRIPTION
1	4011	Blower Housing
2	S8X10HXWHCTS	Screw 8 x 5/8 Hex Wash A
3	GRD FAN	Fan Guard
4	S6-32X8PHS	Screw 6-32x.5
5	EL1250/115HT	Element 11x8, 115V - 1250w
	EL1250/220HT	Element 11x8, 220V - 1250w
	EL1500/115HT	Element 11x8, 115V - 1500w
	EL1500/220HT	Element 11x8, 220V - 1500w
6	Supplied with Item 5	Washer
7	4041	Humi-Temp Blower Lid
8	Supplied with Item 5	Hex Head
9	Supplied with Item 5	Washer
10	BLD FAN AL	3" Blower Humi-Temp Aluminum Fan Blade
11	EL 350/115PH	Proofer Element For Water Pan, 115
	EL 350/220PH	Proofer Element For Water Pan, 220





SEE HEATER ASSEMBLY
FOR PART NUMBERS.
2X

Outside Assembly

ITEM NO.	PART NO.	DESCRIPTION
1	BLD FAN AL	3" Blower Humi-Temp Aluminum Fan Blade
2	MTR JK12092	Motor, 115V
	MTR JK22093	Motor, 220V
3	N10-24CAP	Nut Cap Acorn Hex 10-24SS
4	W1/4SL-SS	Washer #10 Split Lock SS
5	BRCKT SIDE	Motor Mounting Bracket

ITEM NO.	PART NO.	DESCRIPTION
6	W1/4SL-SS	Washer #10 Split Lock SS
7	B1032X8HHMS	Bolt 10-32x.5 Hex Head Machine Screw
8	W1/4SL-SS	Washer #10 Split Lock SS
9	S8X10HXWHCTS	Screw 8 x 5/8 Hex Head
10	TRM 3QC	Terminal Block
11	PR AD56ABS	Pop Rivet
12	4017	Humi-Temp Louvered Panel
13	S8X10HXWHCTS	Screw 8 x 5/8 Hex Head

Electrical Heated/ Holding Food Cabinets

Indicator Lights

PART NO.	DESCRIPTION
LT PLT W1	White Indicator Light, Round
LT PLT R	Red Indicator Light, Round
LT PLT A1	Amber Indicator Light, Round
LT PLT A/G	Amber/green Indicator Light
LT PLT P	Red Indicator Light, 125-Rectangle
LT PLT W/A	Dual White/Amber Light, 125V – Rectangle

Switches

PART NO.	DESCRIPTION
SWH RCK E1	On/Off Rocker Switch 20Amp – 125V
SWH RCK LE1	On/Off Rocker Switch, lighted 20Amp-125V

Thermostats/Knobs

PART NO.	DESCRIPTION
T-STAT H1	36" Thermostat
T-STAT H2	72" Thermostat
T-STAT INF1	Thermostat for Proofers/Heaters, 115V
T-STAT INF2	Thermostat for Proofer/Heaters 220V
KNB H1	Thermostat Knob for Heated Models 90°-190°
KNB H6	Thermostat Knob for Heated Models, Aluminum Skirt w/Black Arrow
KNB INFN	Thermostat Knob for Proof Thermostat
BZL H1 STAT	Thermostat Bezel – Chrome

Thermometers

PART NO.	DESCRIPTION
T-METER H1	Thermometer for Heated Models, 40°-240° (0°-105°C)
T-MTR DIG F	Digital Thermometer

Cords and Plugs

PART NO.	DESCRIPTION
CRDSET 10/115	Power Cord, 10' 115V
CRDSET 10/220	Power Cord, 10' 220V
CRD RTRC (2)	Retractable Cord Reel, 115V/15 AMP
CRD RTRC (3)	Retractable Cord Reel, 220V/15 AMP
PLG TWST M	Male Plug Twist, 5-15
PLG TWST F	Female Plug Twist 5-15
PLG TWST F20	Female Plug Twist 5-20
PLG TWST M20	Male Plug Twist 5-20

Motors

PART NO.	DESCRIPTION
MTR JK12092	Motor, 115V
MTR JK22093	Motor, 220V

Fan Blades

PART NO.	DESCRIPTION
BLD FAN AL	3" Aluminum Fan Blade, Humi-Temp
BLD FAN 5B	5" Aluminum Fan Blade, Top-Mounts
BLD FAN 4.5B	4.5" Cooling Fan Blade

Elements

PART NO.	DESCRIPTION
EL1250/115HT	Element 11"x8", 115V Heated Models
EL1250/220HT	Element 11"x8", 220V Heated Models
EL1500/115HT	Element 11"x8", 115V
EL1500/220HT	Element 11"x8", 220V
EL350/115PH	Proofer element for water pan 115V
EL350/220PH	Proofer element for water pan 220V

Elements (continued)

PART NO.	DESCRIPTION
EL500/115A	Element 16", 500w, 115V
EL500/220A	Element 16", 500w, 220V
EL1000/115A	Element 34", 1000w, 115V
EL1000/220A	Element 34", 1000w, 220V
CLP EL	Element Clip

Correctional Replacement Parts

PART NO.	DESCRIPTION
SCKT RMVR	Sockets to Remove Tamper Proof Screws
LXN T CVR	Plexiglass Thermometer Cover
T-STAT CAP GRD	Guard for Thermostat Capillary Tube
MAXI-GUARD	Maxi-Guard
BVG URN ANG	Beverage Urn Angles

Door Latches

PART NO.	DESCRIPTION
STK LTH 1	Strike for Edgemount Door Latch
LTH PDL LK	Paddle Latch, 4"x5" Locking
LTH PDL ETC	Paddle Latch, 2"x3"
LTH PDL	Paddle Latch, 4"x5"
LTH DR MAG	Door Latch, Edgemount Black, Magnetic
STK LTH 2	Strike for Paddle Latch
LTH DR LK	Door Latch, Edgemount Locking
LTH DR	Door latch, Edgemount Non-Locking

Hinges

PART NO.	DESCRIPTION
HNG L/O	Lift/Off Door Hinge 3 Pieces: Top Wing, Bottom Wing, Pin
HNG 214	Edgemount Door Hinge

Terminal Block

PART NO.	DESCRIPTION
TRM 3QC	Terminal Block 3 Quick Connects
TRM 6QC	Terminal Block 6 Quick Connects

Cold Plates

PART NO.	DESCRIPTION
CLD PLT 1	Cold Plate, 12"x20" (Eutectic Device)

Bumpers

PART NO.	DESCRIPTION
BMPR INSERT	Bumper Insert, Black Vinyl (Sold By the Foot)
BMPR CR GR	Corner Bumper, Grey Vinyl
BMPR AL	Aluminum Track for Bumper Insert (Sold By the Foot)

Water Pans

Water pans and angles are available for all heated models. The model number and serial number is necessary when ordering. Please consult your Whaley Foodservice Repairs Parts Specialist for current pricing.

Replacement Doors

Replacement doors are available for all units. The model number and serial number are required when ordering. Please consult your Whaley Foodservice Repairs Parts Specialist for current pricing.

Gasket

PART NO.	DESCRIPTION
GSKT DR	Door Gasket for All Heated Model (Sold By the Foot)
GSKT HLDR AL	Gasket Holder, Aluminum Extrusion (Sold By the Foot)
S8X10HXWHCTS	Screw for Above Gasket Holder
GSKT SWEEP	Center Strip Gasket for Dutch Door Model

Hardware

PART NO.	DESCRIPTION
N10-24CAP	Nut Cap Acorn Hex 10-24 SS
W1/4SLSS	Washer #10 Split Lock
B10-32X8HHMS	Bolt 10-32x.5 Hex Head Machine Screw
S8X10HXWHCTS	Screw 8x5/8 Hex Head

Handles

PART NO.	DESCRIPTION
HDL S/S 23	SS Tubular Handle
HDL 12.5 AL	Aluminum Handle 12-1/2" Long
HDL 21.5 AL	Aluminum Handle 21-1/2" Long
SPCR 125X.330	1-1/4" x 5/16" Aluminum Spacer for Above Handle
B1/4-20X32NZ	Set of 2 Bolts for Aluminum Handles

PART NO.	DESCRIPTION
PR AD56ABS	Pop Rivet
S6-32PHS	Screw 6-32x.5
N10-24KNURZ	Nut Knurl 10-24 Brass
N1/4-20HXS	Nut 1/4-20 Hex
W75X1/4X16	3/4 OD x 1/4 ID x 1/16 4-20 FL S

Estimated Gasket Usage Per Foot

MODELS	FEET	MODELS	FEET	MODELS	FEET	MODELS	FEET
A-120		MTU-10	15	PS-1220-20	18	TS-1826-18D	16
A-60		MTU-12	16	PS-1220-30	27	TS-1826-P	13
E-1200	30	MTU-4	8	PS-1220-45	40	TS-1826-7	9
E-1500	30	P-120	11	PS-1220-8	9	TST-13	13
E-600	15	P-144	15	PST-10	9	TST-13D	13
E-720	11	P-180	15	PST-16	11	UHS-10	15
E-900	26	P-200	15	PST-20	18	UHS-12BQ	15
E-960	30	P-48	15	PST-32	22	UHS-12	16
E-480	11	P-60	12	PTS-2030	9	UHS-12D	16
ETC-1826-12	13	P-72	12	PTS-3045	11	UHS-12P	16
HLC-10	10	P-80	15	PTS-40-6HC	11	UHS-20	22
HLC-14	12	P-90	12	PTS-4060	18	UHS-4	9
HLC-15-3W	15	PH-1826-15	15	PTS-52-HC	18	UHS-4BQ	9
HLC-16	14	PH-1826-18	16	PTS-60-6HC	18	UHS-7	9
HLC-5	5	PH-1826-7	9	PTS-6090	22	UHST-13	13
HLC-7	5	PHU-10	15	TS-1418-15	11	UHST-13D	13
HLC-8	7	PHU-12	16	TS-1418-20	20		
MT-1826-15	15	PHU-4	8	TS-1418-30	22		
MT-1826-18	16	PS-1220-10	9	TS-1826-15	11		
MT-1826-7	9	PS-1220-15	11	TS-1826-18	16		



Shelves

PART NO.	DESCRIPTION
SHLF P60	Wire Shelf 22-1/4" x 21-3/4"
SHLF P60X	Wire Shelf 24-5/8" x 24-5/8"
SHLF P90	Wire Shelf 22-1/4" x 33"
SHLF P90X	Wire Shelf 24-5/8" x 37"
SHLF P120	Wire Shelf 22-1/4" x 44-3/8"
SHLF P120X	Wire Shelf 24-5/8" x 49-3/8"
SHLF P200	Wire Shelf 22-1/4" x 54-3/4"
SHLF P200X	Wire Shelf 2-5/8" x 61-3/4"

Shelf Supports

PART NO.	DESCRIPTION
CLP SHLF J	Shelf Support (J hook)
CLP ETC 1.5S	Clip for Holding Uprights

Plate Carriers

PART NO.	DESCRIPTION
UP-8	Carrier, Uncovered Plates (8) Shelf Clearance: 13 5/8"
UP-10	Carrier, Uncovered Plates (10) Shelf Clearance: 16 5/8"
CP-8	Carrier, Covered Plates (8) Shelf Clearance: 13 5/8"
CP-10	Carrier, Covered Plates (10) Shelf Clearance: 16 5/8"

Tray Slides

PART NO.	DESCRIPTION
SLD TS245	Tray slides, TS Models
SLD TS245N	Tray Slide Nylon Coating
SLD UHS245	Tray Slide, All Universal Models
SLD UHS245N	Tray Slide, Nylon Coating
SLD ETC195	Tray Slides, All etc Models
SLD PH245	Tray Slides, PH Models

Menu Card Holders

PART NO.	DESCRIPTION
SPCR DR	Spacer for Menu Card Holder
CRD HLD PSLT	Plastic Menu Card Holder

Uprights

Uprights are available for heated models. Please consult your Whaley Foodservice Repairs Parts Specialist with the model and serial number for current pricing.

Fabricated Parts

PART NO.	DESCRIPTION
Bracket Side	Motor Mounting Bracket
Bracket Top	Motor Mounting Bracket
4017	Humi-Temp Louvered Panel
4011	Blower Housing for Humi-Temp Units
4041	Humi-Temp Blower Lid
4092	Back Tunnel for Top Mount Heat Systems
4050	Blower Housing for Top Mount Heat Systems
4566	Motor Cover for Removable Heat Systems
4595	Water Pan Retainer Bracket for Removable Heat Systems
4142	Sterno Baffle

Plate Carrier List/ Shelf Size

PART NO.	CP-8	CP-10	UP-8	UP-10	SHELF SIZE
E-480	—	—	—	—	22-1/4"X21-3/4"
E-600	—	6	—	6	22-1/4"X21-3/4"
E-720	—	—	—	—	22-1/4"X33"
E-900	—	9	—	9	22-1/4"X33"
E-960	—	—	—	—	22-1/4"X44-3/8"
E-1200	—	12	—	12	22-1/4"X44-3/8"
E-1500	—	15	—	15	22-1/4"X54-3/4"
E-480XL	—	—	—	—	24-5/8"X24-5/8"

Plate Carrier List/ Shelf Size (cont.)

PART NO.	CP-8	CP-10	UP-8	UP-10	SHELF SIZE
E-600XL	—	6	—	6	24-5/8" X 24-5/8"
E-720XL	—	—	—	—	24-5/8" X 37"
E-900XL	—	9	—	9	24-5/8"X37"
E-960XL	—	—	—	—	24-5/8"X49-3/8"
E-1200XL	—	12	—	12	24-5/8"X49-3/8"
E-1500XL	—	15	—	15	24-5/8"X61-3/4"
P-48	4	—	4	—	22-1/4"X21-3/4"
P-60	6	—	6	—	22-1/4"X21-3/4"
P-72	—	6	—	6	22-1/4"X33"
P-80	8	—	8	—	22-1/4"X21-3/4"
P-90	—	9	—	9	22-1/4"X33"
P-120	12	—	12	—	22-1/4"X44-3/8"
P-144	—	12	—	12	22-1/4"X44-3/8"
P-180	—	15	—	15	22-1/4"X54-3/4"

PART NO.	CP-8	CP-10	UP-8	UP-10	SHELF SIZE
P-200	20	—	20	—	22-1/4"X54-3/4"
P-48XL	—	4	—	4	24-5/8"X24-5/8"
P-60XL	6	—	6	—	24-5/8"X24-5/8"
P-72XL	—	6	—	6	24-5/8"X37"
P-80XL	8	—	8	—	24-5/8"X24-5/8"
P-90XL	9	—	9	—	24-5/8"X37"
P-120XL	12	—	12	—	24-5/8"X49-3/8"
P-144XL	—	12	—	12	24-5/8"X49-3/8"
P-180XL	—	15	—	15	24-5/8"X61-3/4"
P-200XL	20	—	20	—	24-5/8"X61-3/4"
A-60	6	—	6	—	22-1/4"X21-3/4"
A-120	12	—	12	—	22-1/4"X44 3/8"
A-60XL	6	—	6	—	24 5/8"X24-5/8"
A-120XL	12	—	12	—	24 5/8"X49-3/8"



INFO AT YOUR FINGERTIPS!

Whaley Foodservice Repairs offers an online system of equipment parts, service manuals, wiring diagrams, and much more.

You can even keep an electronic record of your maintenance schedule. Go to www.whaleyfoodservice.com. Click the icon for online ordering.