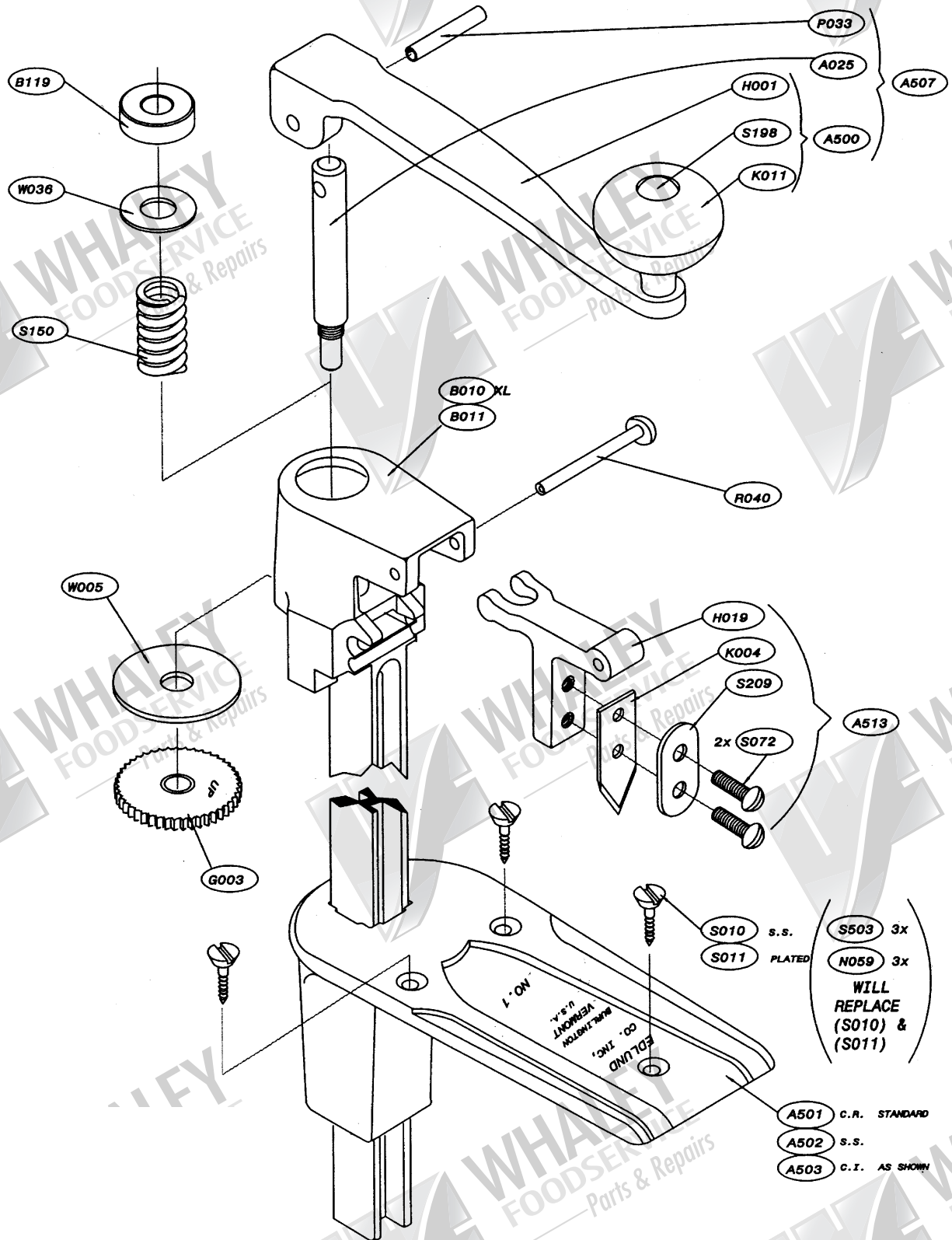


Can Opener #1



(Illustration on page 205.)

PART NO.	DESCRIPTION
A025	Arbor, #1
A500	Assembly, #1 Handle & Knob
A501	Assembly, #1 CRS (Mild Steel) Base
A502	Assembly, #1 Stainless Steel Base
A503	Assembly, #1 Cast Iron Base
A507	Assembly, #1 Handle/Arbor
A513	Assembly, #1 Knifeholder
A5191	Assembly, #1/#2 Spring Release Clamp
B010	Bar, #1 Slide XL (Casting Only)
B011	Bar, #1 Slide (Casting Only)
B119	Bushing, #1
G003M	Gear, #1 (24 Package)
G003SP	Gear, #1 (Single Pack)
H001	Handle, #1 C.O.
H019	Holder, #1 Knife
K004M	Knife, #1 24 Package

PART NO.	DESCRIPTION
K004SP	Knife, #1 Single Pack
K011	Knob, Manual Can Opener
L015	Label, #1/#2 Warning for Base
N059	Nut, 10-32 Self Locking (3/Package w/SO53)
P033	Pin, Roll, 7/32 x 1-3/8 Plated
R040	Rivet, #1 Knifeholder, .247 x 1-5/8
S010	Screw, #12 x 1 for SS Bases (Package of 3)
S011	Screw, 12 x 1 Plated for Bases
S072	Screw, #1/#2, 12-24 x 7/16 RHM
S150	Spring, #1
S198	Stud, #1/#2 Knob
S209	Support, Knife
S503	Screw, 10/32 x 11 SS Slotted (3/Package w/N059)
W005	Washer, #1 Gear
W036	Washer, #2 Spring

WE HAVE ONE OF THE LARGEST INVENTORIES OF OEM PARTS IN THE NATION!

Our inventory of parts serves the needs of more than 100 Whaley Foodservice Technicians, and meets the needs of our parts customers as well. This inventory is managed by our state-of-the-art computer system which counts every individual transaction to continuously adjust stocking levels.

*(Illustration on page 207.)***PART NO. DESCRIPTION**

K012 Knob, ECO

L031 Link, #203/266

M006SP Motor, #203/266, 115V

M007SP Motor, #203/26 230V, B-8992

N011 Nut, 4-40 Brass

N015 Nut, 8-32, Clinch #SN82NC27

N019 Nut, 10-32 Plated Hex

N023 Nut, 8-32 Plated Hex

N033 Nut, 1/4-28 Thd. Shakeproof (Keps)

P001 Pad, ECO Foot

P029 Pin, Roll 1/8 x 9/16 SS

P040 Pin, #203/266 Toggle

P079 Plate, #203/266 Knife Slide

P088 Plate, #203/266 Motor Slide

P140 Protector, #203 Switch

R023 Relief, Electric Strain

R024 Relief, Strain, English Elect., Small

R046 Rivet, SB 5-6

R047 Rivet, SB 6-6

S062 Screw, #203/266 Housing

S070 Screw, 10-32 x 5/16 Plated RHM

S071 Screw, 10-32 x 7/16 RHM, Plated

S074 Screw, 4-40 x 5/8 Brass RHM

S078 Screw, 6-32 x 1/4 SS RHM

PART NO. DESCRIPTION

S083 Screw, 8-32 x 3/16 SS RHM

S085 Screw, 8-32 x 1/4 SS RHM

S086 Screw, 8-32 x 5/8 SS Plated RHM

S145 Spacer, ECO Knifeholder

S158 Spring, ECO Brush (2 req)

S161 Spring, ECO Block

S166 Spring, #203/266 Return

S167 Spring, ECO Tension

S184 Standoff, #203/266 Long

S196 Stud, ECO Knife

S229 Switch, #203/266 Leaf

S235 Switch, #203 Toggle, 7503K13

S241 Spring, Magnet Holder

S370 Screw, 8-32 x 1/2 RHM Plated

T006 Terminal, #203/266 Female, 3/16

T007 Terminal, ECO Round

T021 Track, #203-266 Slide

W001 Washer, #203/266 Bellville Spring

W017 Washer, #10 Ext. Tooth Lock, PTD

W018 Washer, #10 x 3/16 Plated Lock

W034 Washer, ECO Drive Gear Spacer

W040 Washer, #203/266 Thurst

W055 Wire, 18 ga. Black (Electric Jumper)

ONE-STOP SHOP

**Don't see what you need?
We will find it!**