

Food Warmers

Electric Parts List

► NOTE: Always include plate data specifications when ordering replacement parts.

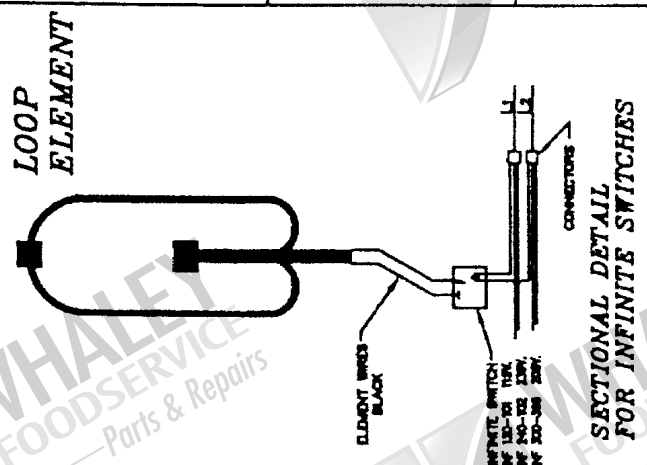
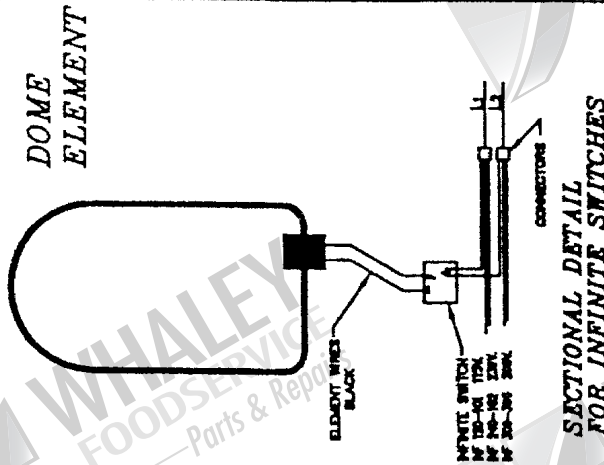
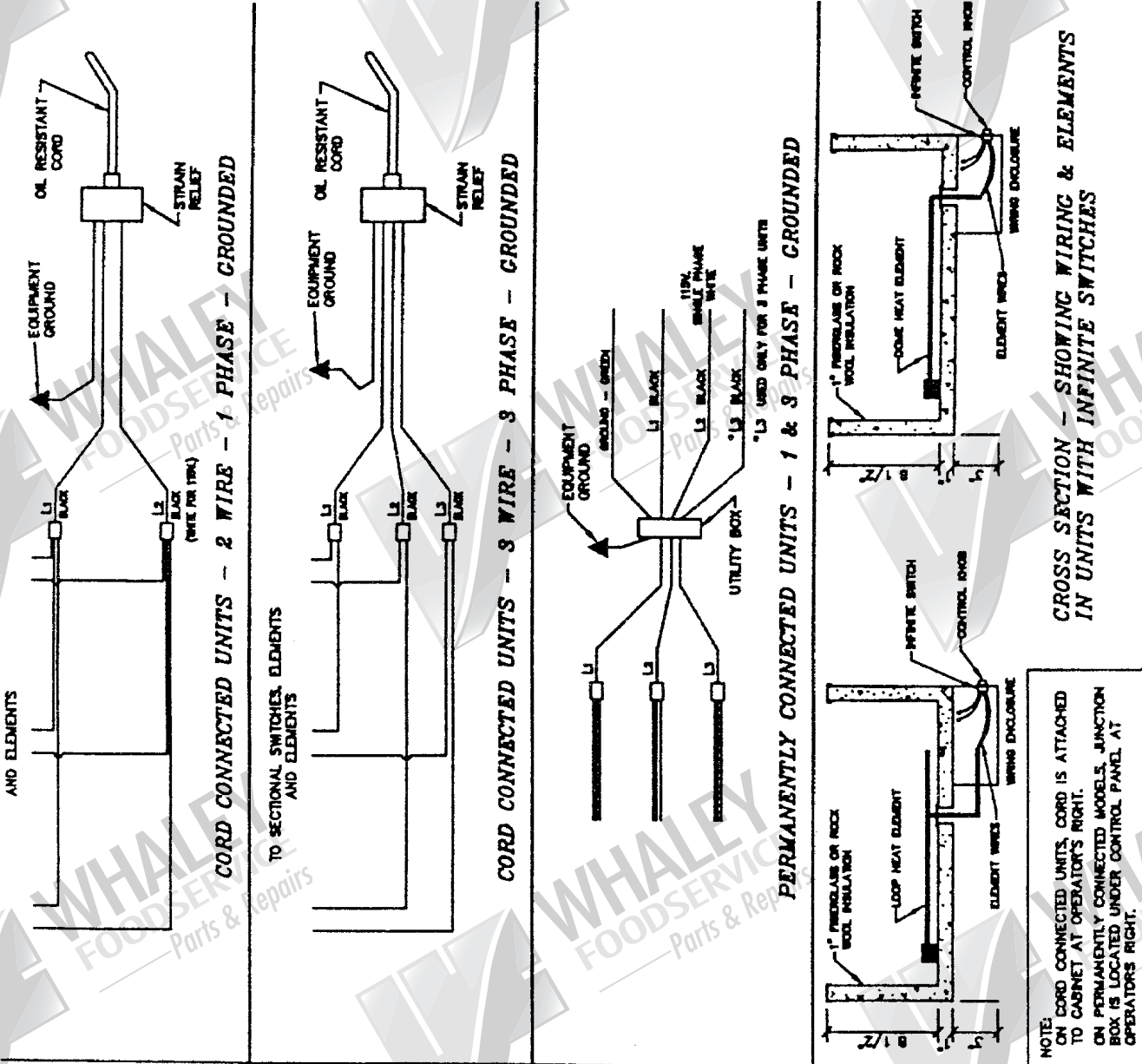
MODEL	DESCRIPTION	PART NO.
Aerohot, Heritage	Knob for Infinite Switch	2164
Aerohot, Heritage	Infinite Switch, Robertshaw or EGO #101, 110-118v	2074
Aerohot, Heritage	Infinite Switch, Robertshaw or EGO #359, 208v	2076
Aerohot, Heritage	Infinite Switch, Robertshaw or EGO #102, 240v	2075
Thurmaduke	Master Toggle Switch (AC/DC), 1 ph	2113
Thurmaduke	Master Toggle Switch (AC/DC), 3 ph	2100
Aerohot, Thurmaduke	Knob for #2081 Thermostat	2190
Aerohot, Thurmaduke	Thermostat, Robertshaw or Sunne	2081
Aerohot, Thurmaduke	Thermostat, Robertshaw #D-18, with Knob and Pilot (440v-480v)	2080
Thurmaduke	Pilot Light, Round, Amber, 120v, Sectional	2070
Thurmaduke	Pilot Light, Round, Red, 120v, Master	2071
Thurmaduke	Pilot Light, Round, Amber, 240v Sectional	215555
Thurmaduke	Pilot Light, Round, Red, 240v, Master	2069
Aerohot, Thurmaduke	Figure 8 Element, 480v, 1000 watt	2108
Aerohot, Thurmaduke	Loop Element, 118v, 500 watt	2237
Aerohot, Thurmaduke	Loop Element, 208v, 500 watt	2244
Aerohot, Thurmaduke	Loop Element, 240v, 500 watt	2245
Aerohot, Thurmaduke	Loop Element, 118v, 750 watt	2238
Aerohot, Thurmaduke	Loop Element, 208v, 750 watt	2239
Aerohot, Thurmaduke	Loop Element, 240v, 750 watt	2240
Aerohot, Thurmaduke	Loop Element, 118v, 1000 watt	2243
Aerohot, Thurmaduke	Loop Element, 208v, 1000 watt	2241
Aerohot, Thurmaduke	Loop Element, 240v, 1000 watt	2242
Aerohot, Heritage, Thurmaduke	Dome Element, 118v, 500 watt	2402
Aerohot, Heritage, Thurmaduke	Dome Element, 208v, 500 watt	2409
Aerohot, Heritage, Thurmaduke	Dome Element, 240v, 500 watt	2410
Aerohot, Heritage, Thurmaduke	Dome Element, 118v, 750 watt	2403
Aerohot	CTFW Element, 120v, 750 watt - for TAH-IHFSS Models Only, "W" Shaped	2420
Aerohot	Dome Element, 115v, 1200 watt - for TAH-1HFSS Models Only, "W" Shaped	2426
Aerohot, Heritage, Thurmaduke	Dome Element, 208v, 750 watt	2404
Aerohot, Heritage, Thurmaduke	Dome Element, 240v, 750 watt	2405

MODEL	DESCRIPTION	PART NO.
Aerohot, Thurmaduke	Dome Element, 120v, 1000 watt	2408
Aerohot, Thurmaduke	Dome Element, 208v, 1000 watt	2406
Aerohot, Thurmaduke	Dome Element, 240v, 1000 watt	2407
Aerohot, Thurmaduke	Flanged Inlet (Recessed Male Plug), 1 ph, 12v, NEMA 5-15	2139
Aerohot, Thurmaduke	Flanged Inlet (Recessed Male Plug), 1 ph, 208V & 240v, 3- & 4-Section Units, NEMA 6-20	2045
Aerohot Thurmaduke	Flanged Inlet (Recessed Male Plug for Heavy Duty Cord), 1 ph, 120v	2271
Thurmaduke	Flanged Inlet (Recessed Male Plug), 1 ph, 208v - 5-Section Unit, NEMA L6-30	2107
Aerohot, Thurmaduke	Flanged Inlet (Recessed Male Plug), 3 ph, 208v & 240v, NEMA L15-30	2343
	Electric Cord & Plug, 6' Long, 1 ph, 120v, Twist Lock	2142
	Electric Cord & Plug, 6' Long, 1 ph, 208v/240v, Twist Lock	2143
Aerohot, Thurmaduke	Electric Cord & Plug, 6' Long, 1 ph, 120v	2170
Aerohot, Thurmaduke	Electric Cord & Plug, 6' Long, 1 ph, 208v & 240v - 5-section	2171
Thurmaduke	Electric Cord & Plug, 6' Long, 1 ph, 208v & 240v - 5-section	2321
Aerohot	Electric Cord & Plug, 6' Long, 1 ph, 125v, Permanently Wired	2475
Thurmaduke	Electric Cord & Plug, 6' Long, 1 ph, 208v & 240v	2362
Aerohot	Electric Cord & Plug, 6' Long, 3 ph, 208v & 240v	2477
Aerohot	Electric Cord & Plug, Heavy-Duty, 6' Long, 1 ph, 120v, Permanently Wired	2480
Heritage	Bulb, Replacement, 60 watt - Cold Pan & Solid to Units	212007
Heritage	Bulb, Replacement, 40 watt - Frostop Units	212008
Heritage	Bulb, Replacement, 250 watt, Infrared - Hot Food Units	212155
Heritage	Socket, Ceramic	212246
Heritage	Reflector, Brown, 8-1/2"	212250
Heritage	Reflector, Brown, 6-1/2",	212252
	All Units Except Hot Food & Hot/Cold	

Aerohot Model Electric Parts Diagram

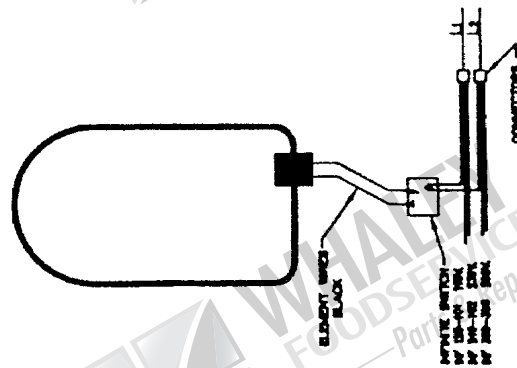
DUKE

Food Warmers

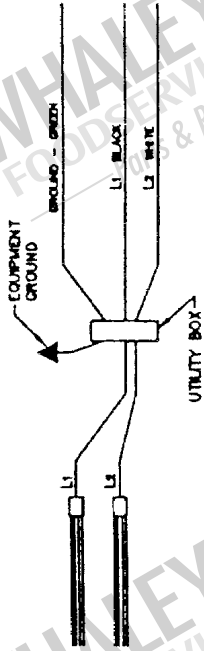


Heritage Model Electric Parts Diagram

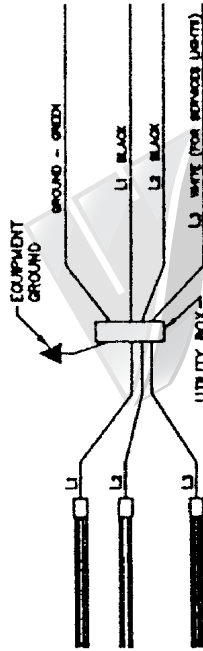
DOME
ELEMENT



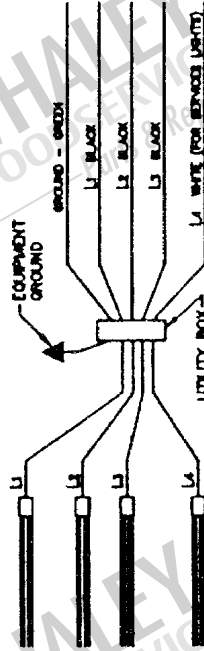
SECTIONAL DETAIL
FOR INFINITE SWITCHES



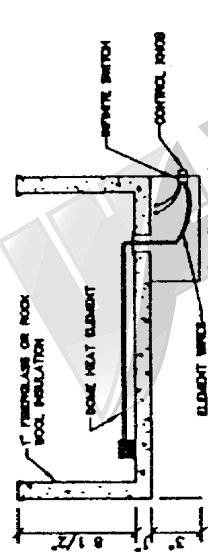
PERMANENTLY CONNECTED UNITS - 115 VOLT, 1 PHASE - GROUNDED



PERMANENTLY CONNECTED UNITS - 208 & 296 VOLT, 1 PHASE - GROUNDED



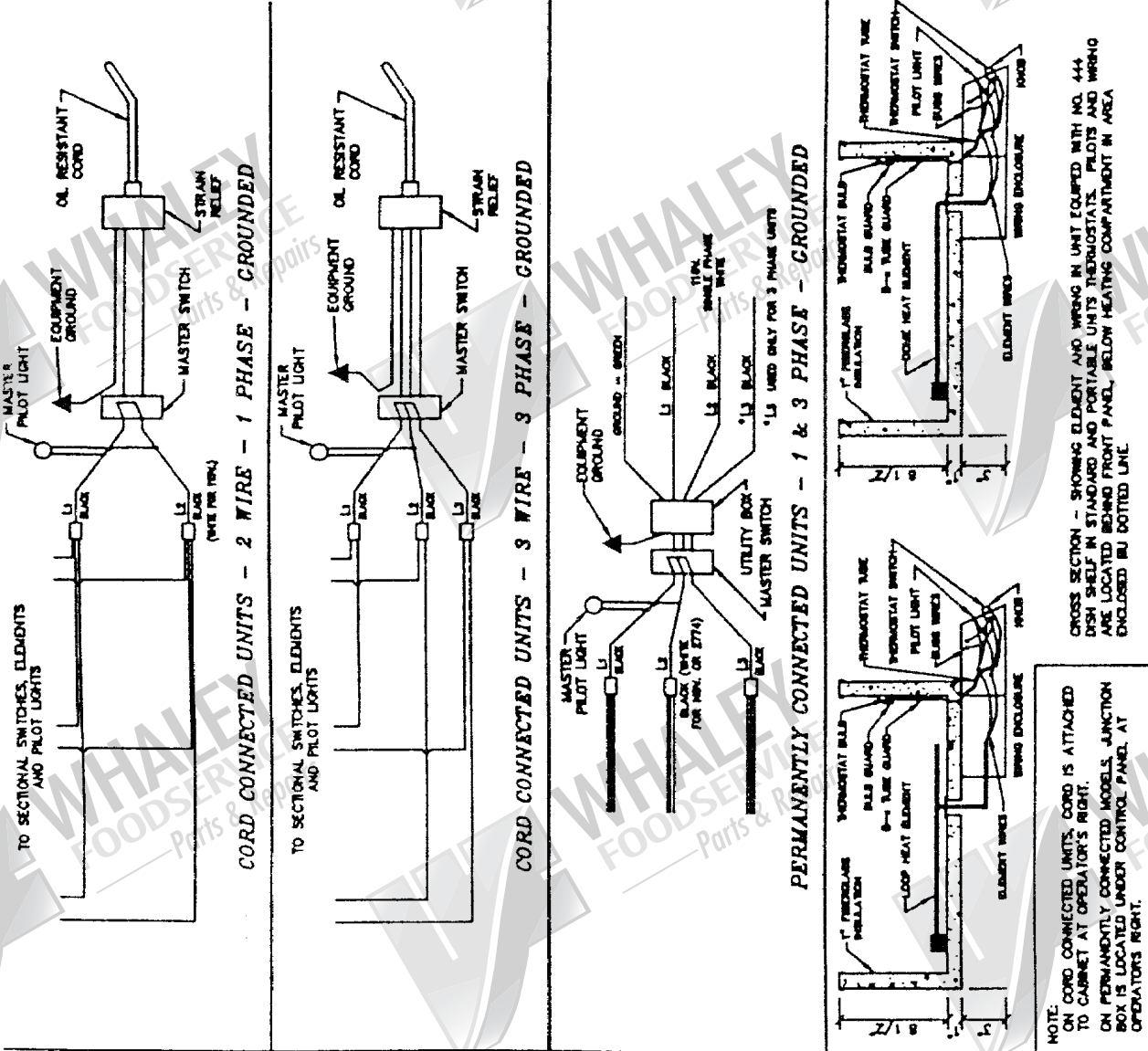
PERMANENTLY CONNECTED UNITS - 208 VOLT, 3 PHASE - GROUNDED



CROSS SECTION - SHOWING WIRING & ELEMENTS
IN UNITS WITH INFINITE SWITCHES

NOTE:
ON COORD CONNECTED UNITS, COORD IS ATTACHED FLUSH WITH BOTTOM OF BODY, ON OPERATORS RIGHT AND CENTERED FRONT TO BACK.

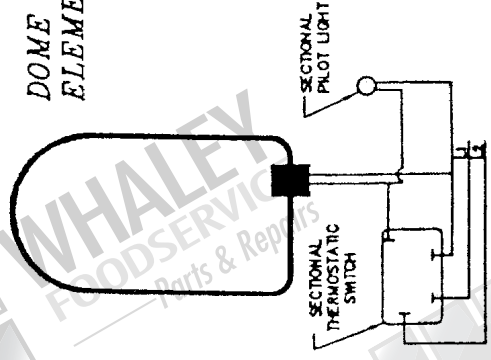
Thermaduke Model Electric Parts Diagram



CROSS SECTION - SHOWING ELEMENT AND WIRING IN UNIT EQUIPPED WITH NO. 444 DISH SHELF IN STANDARD AND PORTABLE UNITS THERMOSTATS, PILOTS AND WIRING ARE LOCATED BEHIND FRONT PANEL, BELOW HEATING COMPARTMENT IN AREA ENCLOSED BY DOTTED LINE.

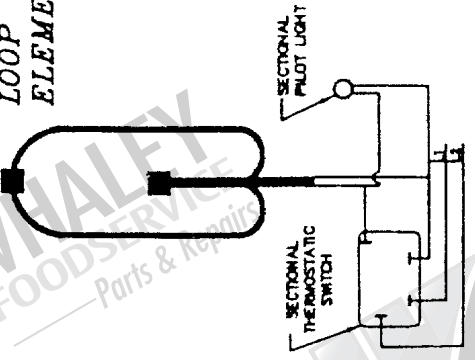
NOTE: ON CORD CONNECTED UNITS, CORD IS ATTACHED TO CABINET AT OPERATOR'S RIGHT. ON PERMANENTLY CONNECTED MODELS, JUNCTION BOX IS LOCATED UNDER CONTROL PANEL AT OPERATOR'S RIGHT.

DOVE ELEMENT



SECTIONAL DETAIL FOR KA-604 AND KA-359 THERMOSTATS

LOOP ELEMENT



SECTIONAL DETAIL FOR KA-604 AND KA-359 THERMOSTATS

Model 6/13 Electric Convection Oven

PART NO.	DESCRIPTION	PART NO.	DESCRIPTION
153142	Knob, (Q & V Models)	153083	Gasket, Door - Side (2 Required)
153143	Knob, Digital Control	153084	Gasket, Door - Top
153088	Window, Oven Door Assembly	153085	Gasket, Door - Bottom
153214	Door Handle Assembly	152976	Door Plunger
153285	Door, Right	152977	Plunger, Teflon Bearing
153095	Door, Left, with Glass	152979	Plunger Spring
153284	Door, Left, Solid	153093	Blower Wheel, 9-3/8" x 2"
153281	Door Shoulder Bolt	153060	Strike Plate, Door
153114	Micro Switch, Door	153237	Door Chain & Turnbuckle Assembly
153071	Micro Switch, Actuator	153234	Chain, Door
153056	Bushing, Door Hinge	153108	Rod, Connecting - Short
153146	Switch, Interior Lights (Optional)	153107	Rod, Connecting - Long
153144	Switch, 2-Speed Fan (Optional)	147753	Turnbuckle
153145	Switch, Rotary	153235	Rod, with Door Stop Assembly
149403	Thermostat, (Q & V Models)	145274	Master Link, Chain
153115	Grommet, Silicone, Temperature Bulb/Probe	153204	Light, Oven Ready, 240v
154075	Buzzer, 240v	153763	Control, Digital Time/Temp, "W," 2-Button
153152	Timer, 1 hour, 240v	153148	Control, Digital Cook/Hold, "X," 5-Button
153134	Mylar Panel, "V" Model, 2-Button	153150	Control, Digital Cook/Event, "Z," 12-Button
153135	Mylar Panel, "W" Model, 2-Button	153177	Probe, Temp
153136	Mylar Panel, "X" Model, 5-Button	153102	Element, 3333 watt, 208v
153138	Mylar Panel, "Z" Model, 12-Button	153103	Element, 3333 watt, 240v
153140	Mylar, Lower, Electric	153104	Element, 3333 watt, 480v
153230	Rack, Oven (Standard Depth)	153200	Fuse Holder
153231	Rack, Oven (Deep Depth)	153201	Fuse, 10 amp Delay
153034	Motor, Only - 1/3hp, 120/240v, 1-Speed	153156	Contact, 3-Pole, 50 amp, 208/240v
153105	Lamp, 50 watt, 120v	153157	Contact, 3-Pole, 30 amp, 208/240v
153106	Lamp, 50 watt, 240v	153159	Contact, 2-Pole, 80 amp, 208/240v
147963	Socket, Lamp	153358	Transformer, 480/240v, 1KVA



**MILLIONS IN INVENTORY!
CALL NOW (800) 877-2662**

Model 6/13 Gas-Fired Convection Oven

PART NO.	DESCRIPTION	PART NO.	DESCRIPTION
153035	Motor, 1/3 hp, 120v, 2-Speed	152977	Plunger Tube Liner
153036	Motor, 1/3 hp, 240v, 2-Speed	152979	Plunger Spring
153034	Motor, 1/3 hp, 120/240v, 1-Speed	153060	Strike Plate, Door
153093	Blower Wheel, 9-3/8" x 2"	153027	Oven Burner, Left
153142	Knob, (Q & V Models)	153388	Oven Burner, Right Assembly
153143	Knob, Digital Panel	153028	Baffle Assembly, Burner
153214	Door Handle Assembly	153154	Orifice, Burner #44, Natural - Standard Depth
153095	Door, Left, with Glass	153359	Orifice, Burner #43, Natural - Deep Depth
153284	Door, Left, Solid	153155	Orifice, Burner #55, Propane - Standard Depth
153114	Micro Switch, Door	153360	Orifice, Burner #54, Propane - Deep Depth
153071	Actuator, Door Microswitch	153922	Pilot Burner/Ignitor Assembly, Natural
153056	Bushing, Door Hinge	153923	Pilot Burner/Ignitor Assembly, Propane
153146	Switch, Interior Lights (Optional)	153237	Door Chain and Turnbuckle Assembly
153144	Switch, 2-Speed Fan (Optional)	153234	Chain, Door
153145	Switch, Rotary	153108	Rod, Connecting - Short
149403	Thermostat, (Q & V Models)	153107	Rod, Connecting - Long
153115	Grommet, Silicone, Temperature Bulb/Probe	147753	Turnbuckle
153925	Buzzer, 120v	145274	Master Link, Chain
153151	Timer, 1 Hour, 120v	153203	Light, Oven Ready, 120v
153152	Timer, 1 Hour, 240v	153204	Light, Oven Ready, 240v
153122	Valve, Gas Shut-Off	153981	Module, Pilot Spark
153134	Mylar Panel, "V" Model, 2-Button	153109	Gas Valve, Dual Solenoid Combo, 120v
153135	Mylar Panel, "W" Model, 2-Button	153111	Gas Valve, Single Solenoid Combo, 120v
153136	Mylar Panel, "X" Model, 5-Button	153280	Pilot Valve, Adjustable
153138	Mylar Panel, "Z" Model, 12-Button	153119	Switch, Flame
153230	Rack, Oven (Standard Depth)	153324	Delay Timer, 120v
153231	Rack, Oven (Deep Depth)	153211	Cord Set, 120v
153105	Lamp, 50 watt, 120v	153276	Gas Conversion Kit to Propane Gas
153106	Lamp, 50 watt, 240v	153771	Gas Conversion Kit to Natural Gas
147963	Lamp, Socket	153775	Relay, Pulse, 120v
153177	Temperature Probe	153764	Timer, Gas Pulse
153083	Gasket, Door - Side (2 Required)	153281	Shoulder Bolt for Door Handle
153084	Gasket, Door - Top	153122	Shut-Off Valve
153085	Gasket, Door - Bottom	153123	Handle for Shut-Off Valve
152976	Door Plunger		