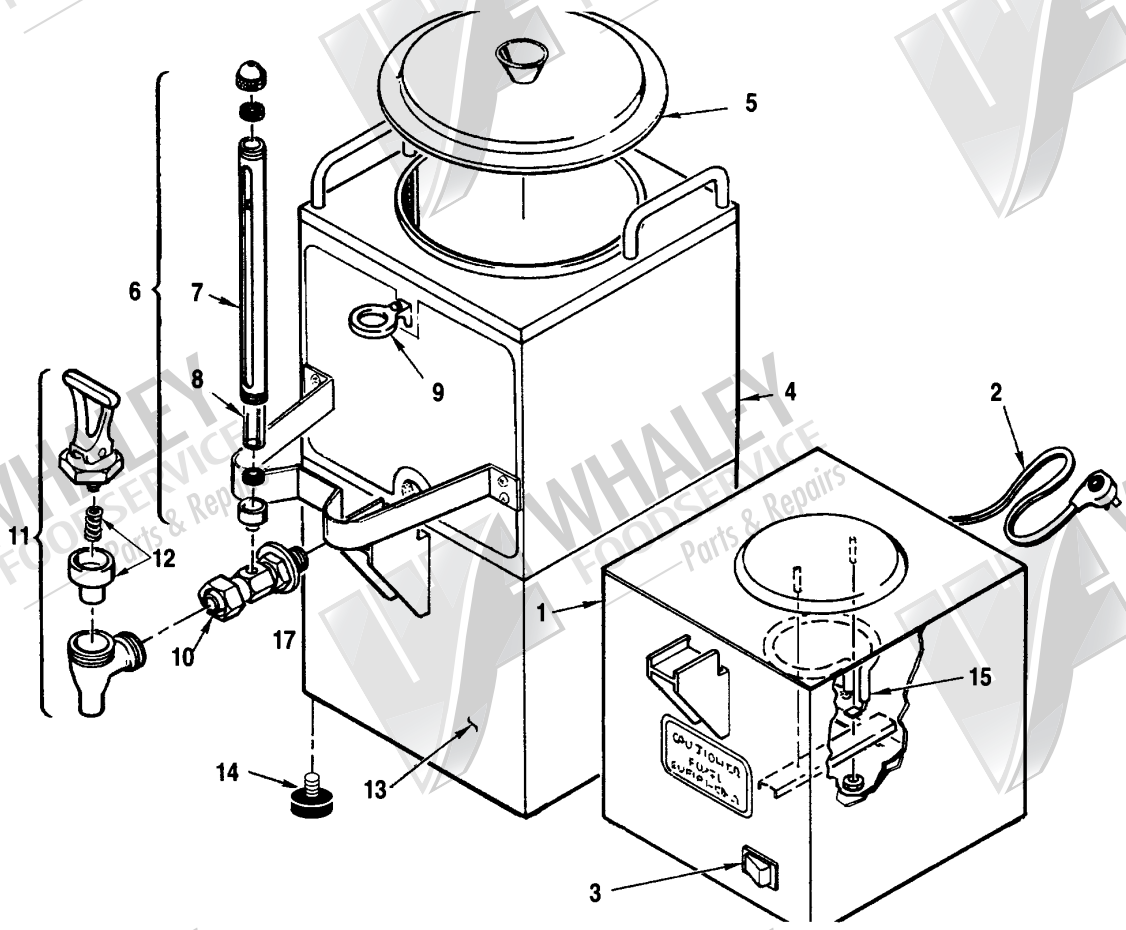


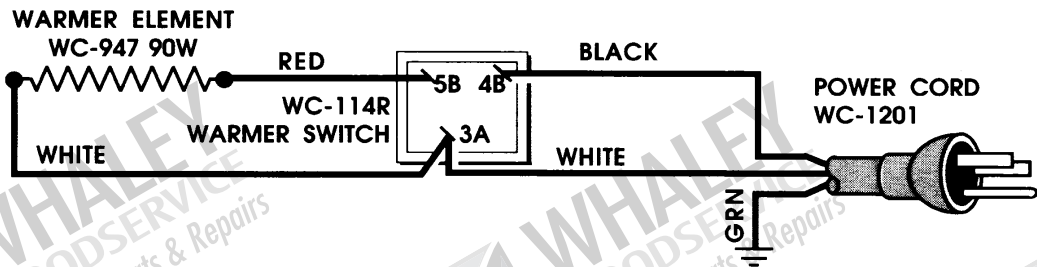
(Illustration on page 171.)

ITEM NO.	PART NO.	DESCRIPTION	ITEM NO.	PART NO.	DESCRIPTION
1	WC-2215	Tee, 1/4" Wrot	44	WC-6732	Strap, Warmer Element
2	WC-43011	O-Ring, 307 I.D. FDA	45	WC-4201	Nut, 8-32 Hex
3	WC-6301	Bracket, Upper Tank Support	46	WC-4329	Washer, #8 External Lock
4	WC-515R	Thermostat	47	WC-608	Circuit Board, Liquid Level Control
5	WC-2918	Fitting, Sprayhead, Specify Left or Right	48	WC-4380	Shock Guard, LLC
6	WC-4320	O' Ring, 3-112	49	WC-3810	Label, Caution
7	WC-4400	Screw, 6-32 x 1/4"	50	WC-5840	Cover, Power Supply
8	WC-2919	Fitting, Adjustable By-Pass	51	WC-3229	Guard, Switch
9	WC-2924	Restrictor, Flow Polysulfone	52	WC-1501	Fuseholder
10	WC-816	Valve, Deltrol Dump (Left)	53	WC-1500	Fuse, 5 Amp
11	WC-817	Valve, Deltrol Dump (Right)	54	WC-1408	Grip, 7/8" Cord Strain Relief
12	WC-604	Timer, Brew	55	WC-3820	Label, Warranty/Wiring
13	WC-4501	Screw, 8-32 x 1/4"	56	WC-3848	Label, Warning
14	WC-4502	Screw, 8-32 x 3/8"	57	WC-102	Switch, Toggle
15	WC-4602	Screw, Machine, 1/4-20 x 1/2"	58	WC-3812	Label, Ground
16	WC-2805	Fitting, 3/8" x 3/8" Compressor Elbow	59	WC-3910	Labels, Top & Bottom Switch Panels
17	WC-3709	Kit, Deltrol Valve Repair	60	WC-4314	Grommet, Red Silicone
18	WC-411	Coil 155V Valve	61	WC-2948	Fitting, Overflow
19	WC-5310	Tubing, 5/16" I. D. Silicone	62	WC-5482	Panel, Back
20	WFC-818	Valve, Deltrol Hot Water, Right	63	WC-5502	Probe, Water Level
21	WC-400R	Relay, 155V, 50 Amp	64	WC-2938	Fitting, Probe Hex
22	WC-2906	Sprayhead, Blue Plastic	65	WC-2935	Fitting, Tank Outlet
23	WC-4213	Nut, 5/8" Lock	66	WC-2956	Tube Assembly, Hot Water
24	WC-5422	Cover, Front	67	WC-2951	Fitting, Water Inlet
25	WC-1411	Bushing, 7/8" Snap-In	68	WC-906	Heating Element, 2000W, 220V
26	WC-4319	Clamp, Hose	69	WC-522	Thermostat, Reset
27	WC-5424	Bracket, Faucet Support	70	WC-4306	Washer, 9/16" I. D. Teflon
28	WC-3500	Leg, 4" Adjustable Counter	71	WC-5409	Clip, Thermostat Bulb
29	WC-4205	But, Brass 1/4" NPT	72	WC-3618	Insulation for Heating Tank
30	WC-4308	Washer, 1/2" I. D. Internal	73	WC-5431	Heating Tank with Fittings
31	WC-2947	Adapter, Male Aerator	74	WC-5432	Heating Tank Complete
32	WC-2946	Aerator, Female, Chrome Pltd	75	WC-200	Lamp, 115V Indicator
33	WC-2912BK	Spout, "No Splash" Hot Water	76	WC-123	Switch, Warmer 125V Rocker
34	WC-3765	Kit, Valve Repair	77	WC-122	Switch, Brew 125V Rocker
35	WC-830	Washer, 1.0 GPM Flow	78	WC-121	Switch, On/Off 125V Rocker
36	WC-826	Valve, Water Inlet (Gemini 12 Only)	79	WC-124	Switch, Hot Water 125V Rocker
37	WC-3301	Brew Basket, Wire (PB-2)	80	WC-4212	Nut, 5/8" Brass Jam
38	WC-3311	Brew Cone with Handle	81	WC-5662	Lid Assembly, Heating Tank
39	WC-4003	Nut, Retainer	82	WC-43055	Shock Guard, Reset Thermostat
40	WC-3963	Label, "Remove Basket Slowly"	83	WC-4398	Plug, Teflon Drain
41	WC-5423	Warmer Deck (No Elements)	84	WC-4382	Shock Guard, Heating Element
42	WC-3834	Label, "Caution Hot Surface"	85	WC-4399	Shock Guard, Thermostat (WC-515R)
43	WC-947	Warmer Element, 155V, 90W	86	WC-5421	Cover, Top

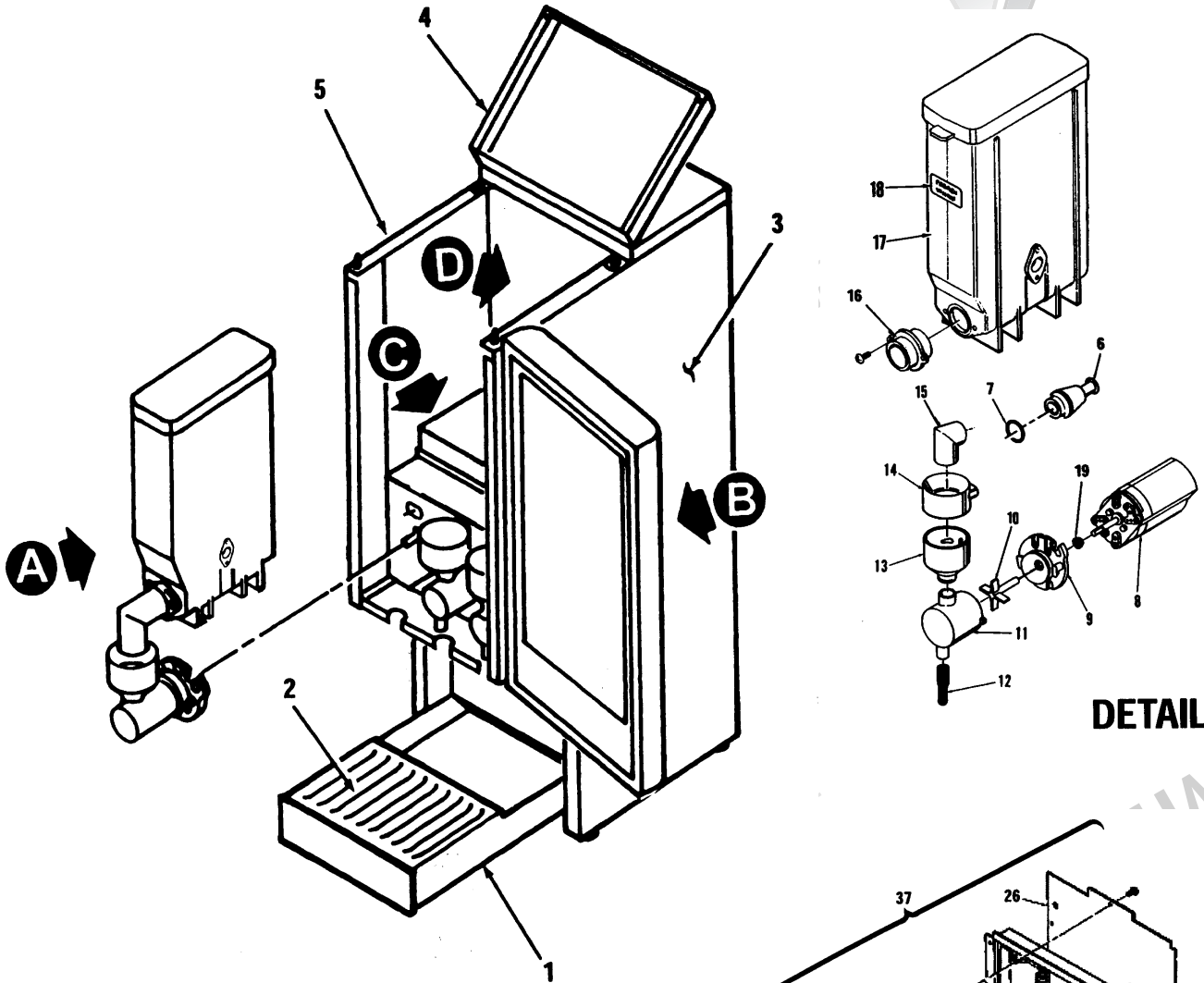


ITEM NO.	PART NO.	DESCRIPTION
1	GEM-5	Satellite Warmer Stand, 115V
2	WC-1201	Power Cord 6' 18/3 Blk
3	WC-114R	Switch, Rocker 120V Red
4	GEM-3	Satellite Server 1-1/2 Gal
5	WC-3307	Lid Gemini Satellite
6	WC-2102	Gauge Glass Assembly, 8" C
7	WC-2010C	Shield, 8" Gauge Glass
8	WC-2025	Gauge Glass, 8"

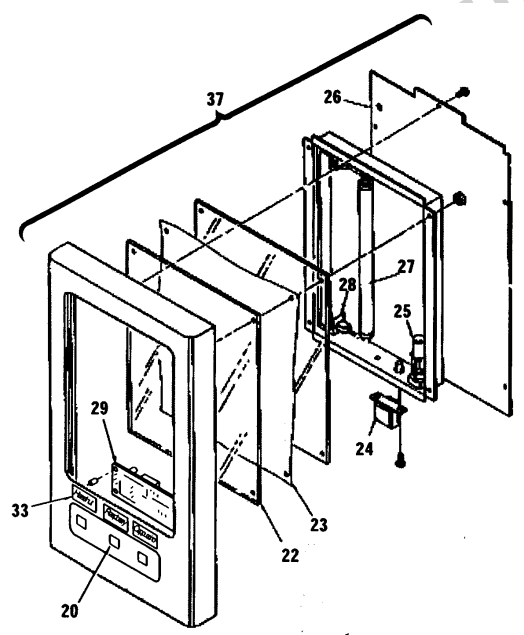
ITEM NO.	PART NO.	DESCRIPTION
9	WC-2007	Bracket, Gauge Glass Formed
10	WC-1901	Shank, Faucet D&T Chrome
11	WC-1800	Faucet S' Nonlocking
12	WC-3705	Kit Faucet S' Series
13	GEM-4	Satellite Stand
14	WC-3503	Leg, Screw Bumper 3/8"-16 STD
15	WC-947	Warmer Element, 90W 120VAC



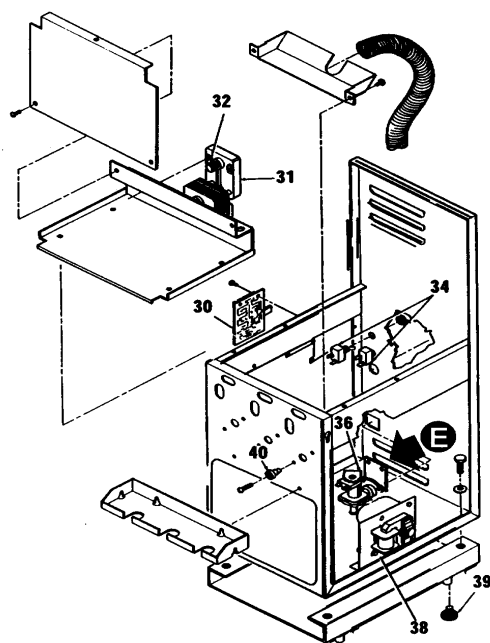
# Primo Cappuccino



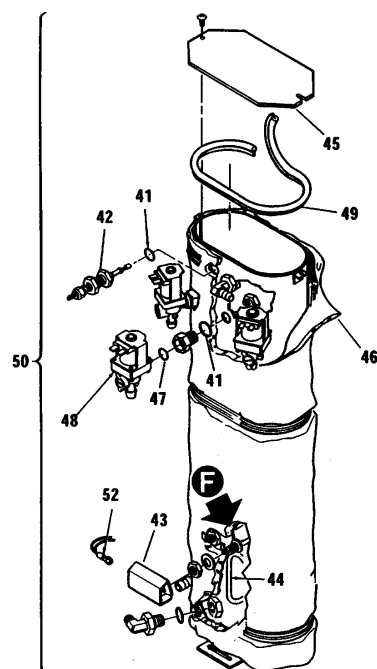
DETAIL A



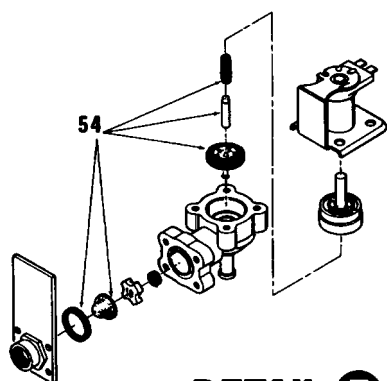
DETAIL B



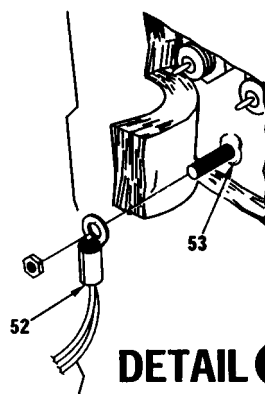
**DETAIL C**



**DETAIL D**



**DETAIL E**



**DETAIL F**

ITEM NO.	PART NO.	DESCRIPTION
1A	WC-6857	Drawer, Drip, PC-3D
1B	WC-6760	Tray, Drip Drawer PC-1D, PC-2D, HC-1D
1C	WC-6853	Drawer, Drip, PC-4D
2A	WC-6633	Screen, Drip Drawer PC-3D
2B	WC-6758	Screen, Drip Drawer PC-1D, PC-2D, HC-1D
2C	WC-6848	Screen, Drip Drawer PC-4D
3A	WC-5935	Panel Assembly, Right PC-3D
3B	WC-6768	Wrap Right, PC-1D, PC-2D, HC-1D

ITEM NO.	PART NO.	DESCRIPTION
4A	WC-6645	Cover Assembly, Top PC-3D
4B	WC-6747-BLK	Cover, Top Front, BLACK PC/HC-1D, PC-2D
4C	WC-6746-BLK	Cover, Top Back, BLACK PC/HC-2D, PC-2D
4D	WC-58020	Cover Assembly, Top PC-4D
5A	WC-6643	Panel, Left Assembly PC-3D/PC-4D
5B	WC-6744	Panel, Left PC/HC-1D, PC-2D
6	CA-1011	Fitting, (Bulkhead) Inlet Plastic, W/O' Ring
7	WC-43033	O'Ring, .394 I.D., .551 O.D. .75 TH

(cont.)

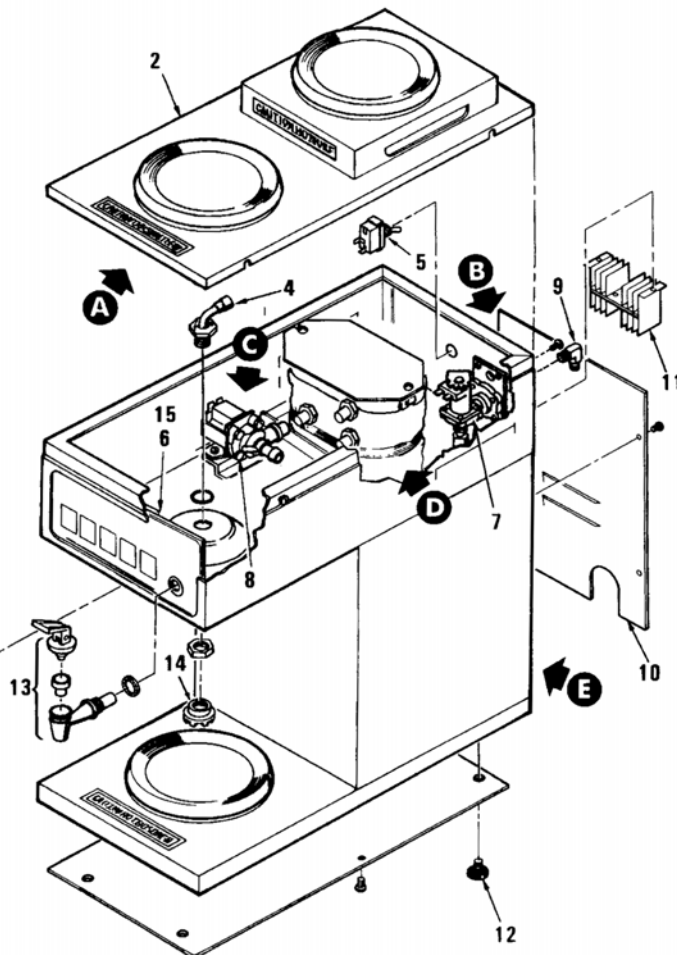
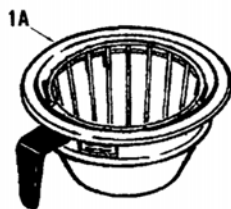
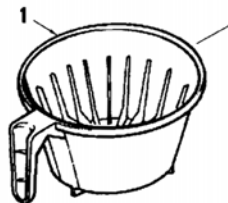
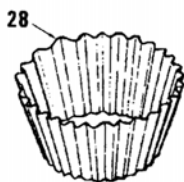
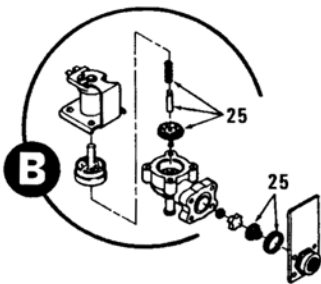
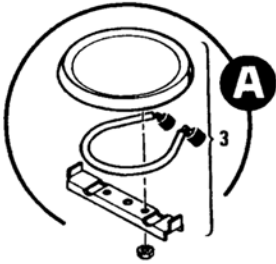
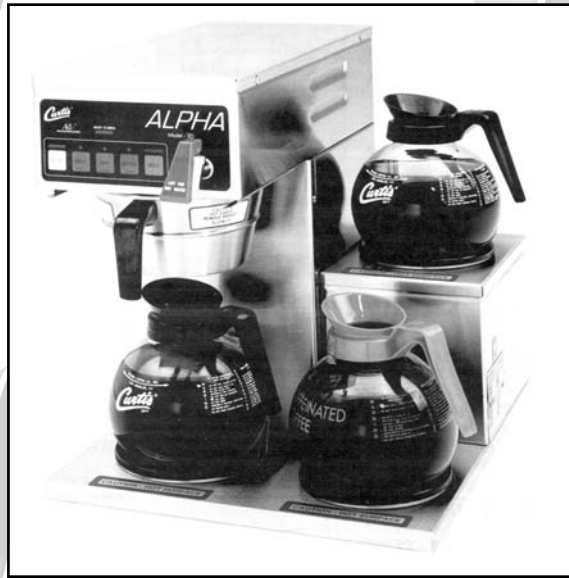
ITEM NO.	PART NO.	DESCRIPTION
8	WC-37014	Kit, Motor Whipper Assembly PC, CK, HC
9	CA-1010-03	Plate, Whipper Chamber Mounting
10	CA-1008	Propeller, Whipper
11	CA-1006	Chamber, Whipper
12	CA-1037	Tube, Extension, All PCs
13	CA-1009	Bowl, Mixing
14	CA-1005	Trap, Steam PCs Digital/Non Digital
15	CA-1026	Elbow, Canister PC-3D, -4D
16	CA-1065	Bushing, Discharging
17A	CA-1000	Canister Assembly, 4 lb. 5.7 cc/sec
17B	CA-1050	Canister Assembly, 6 lb., PC-1D, HC-1D
18	WC-39107	Label, Canister Flavor (Sheet of 40, Assorted)
19	WC-43791	Ring, Motor Shaft Plastic
20A	WC-39163	Panel, Membrane Control PC-3D
20B	WC-39169	Membrane Control Panel, PC-3DHW
20C	WC-39171	Membrane Control Panel, PC-1D, HC-1D
20D	WC-39170	Membrane Control Panel, PC-2D, PC-2DC1
20E	WC-39206	Membrane Control Panel, PC-4D
22A	CA-1022	Window, Outer, PC-3D/PC-4D
22B	CA-1060	Window, Outer, PC/HC-1D, PC-2D
23A	CA-1023-01	Film Graphic, Generic, PC-3D/PC-4D
23B	CA-1061-01	Film Graphic, Generic PC-1D/PC-2D
23C	CA-1070-01	Film Graphic, Generic, HC-1D
24	CA-1015	Transformer, 120V, 60 Hz, 18 Amp
25	CA-1020	Starter, Fluorescent Lamp
26	WC-5930	Panel, Door, PC-3D
27	CA-1018	Lamp, Fluorescent 8W FL8CW
28	CA-1016	Holder, Fluorescent Lamp
29A	WC-671	Control Board, 120V, PC-3D, PC-3C1
29B	WC-673	Control Board, 120V, PC-3DHW
29C	WC-675	Control Board, 120V, PC-1D, HC-1D

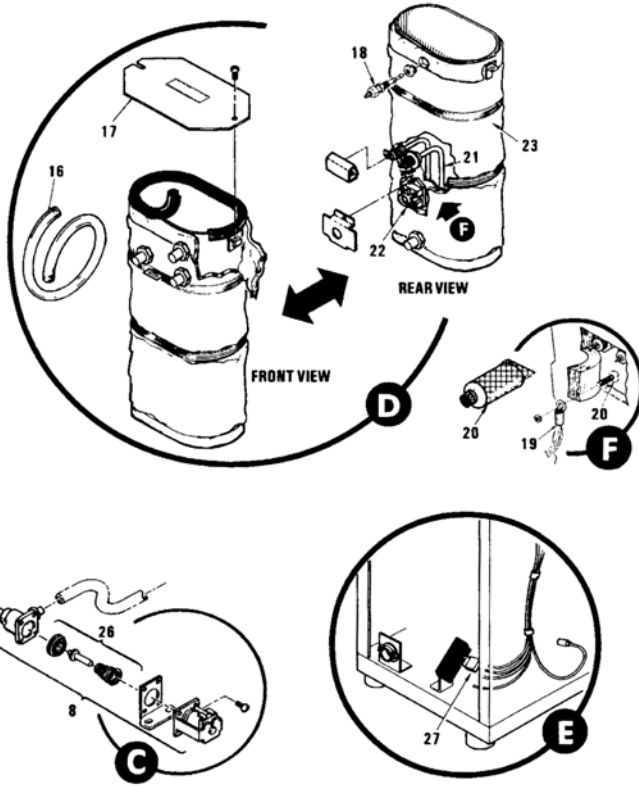
ITEM NO.	PART NO.	DESCRIPTION
29D	WC-674	Control Board, 120V, PC-2D, PC-2DC1
29E	WC-681	Control Board, 120V, PC-4D
30	WC-3777	Kit, Rpl Control Board Water Level/Temp, 120/220V
31	CA-1013	Motor, Gear Assembly
32	CA-1036	Gear, Plastic
33	WC-39105	Label, Low Tack Door
34	WC-102	Switch, Toggle 25A 125/250 VAC
35	WC-1200	Power Cord, 120V 6'
36	WC-826	Valve, Inlet 1.15 GPM 120V 10W
37A	WC-5862	Door, Complete PC-3D
37B	WC-5823	Door, Complete PC-2D
37C	WC-5861	Door, Complete PC-4D
37D	WC-5834	Door, Complete PC-1D
38	CA-1014	Fan, Extract
39	WC-3503	Leg, Screw Bumper 3/8"-16 STD
40	CA-1024-03	Pillar, Location
41	WC-4320	O-Ring, 1/2" I.D.
42	WC-5502	Probe Assembly, Water Level
43	WC-4394	Guard, Shock, Heating Element
44	WC-904	Heat Element, 1600W, 120V w/Jam Nuts
45	WC-5851	Cover Tank with Notches
46	WC-3650	Insulation, Heating Tank PC-3D/PC-4D
47	CA-1039	O'Ring, Dump Valve (WC-880)
48	WC-3734	Kit, Rpl Dump Valve
49	WC-43014	Gasket, Tank
50A	WC-54102	Heating Tank Complete PC-3D
50B	WC-54101	Heating Tank Complete PC-2D
50C	WC-54100	Heating Tank Complete PC-1D
51	WC-6188	Heat Sink Assembly, PC-3D
52	WC-1438	Sensor, Heating Tank
53	WC-5229	Compound, Silicone 3/4 oz. Tube
54	WC-3765	Kit, Valve Repair (use on WC-826)

# Alpha DS Digital Coffee Brewing Systems

CURTIS

Alpha DS Digital Coffee Brewing Systems

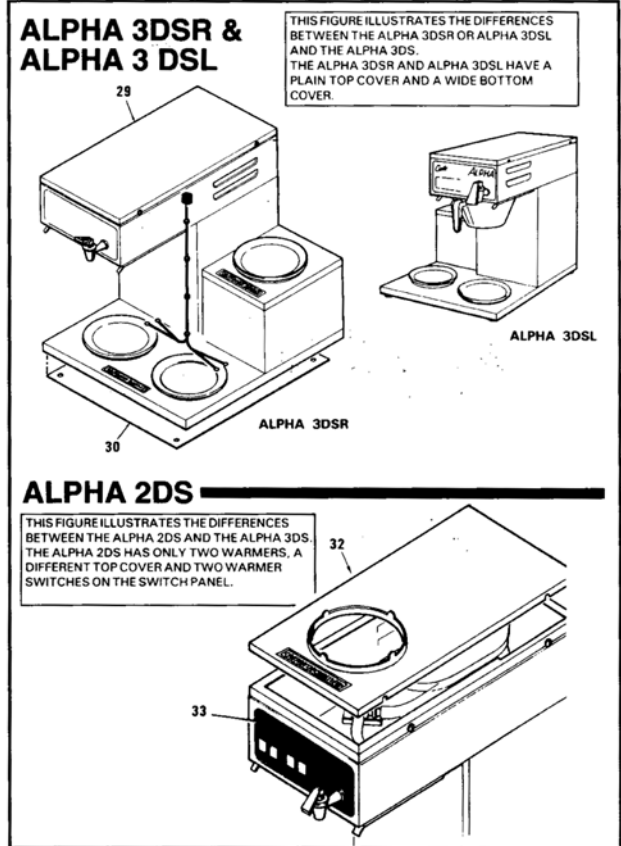




(Illustration on page 177 and 178.)

**Alpha DS Models**

ITEM NO.	PART NO.	DESCRIPTION
1	WC-3621	Brewcone, 7 1/8" BLK
1A	WC-3316	Brewcone with Basket, Complete Optional
2	WC-6812	Top Warmer Assembly 120V (ALP-3DSIDD/5DSL/DDI/DSR/10DD/DS)
2A	WC-8567	Top Warmer Assembly 220V (ALP-3DS/DD/5DSL/DDI/DSR/10DS)
3	WC-8578	Warmer Assembly, 1 20V Alpha DD/DS
3A	WC-6218R	Kit, Warmer Assembly, 200V
4	WC-2977	Fitting, Sprayhead Pfl'd
5	WC-102	Switch, Toggle SPST 25A 125/250VAC Resistive



ITEM NO.	PART NO.	DESCRIPTION
5A	WO-103	Switch, Toggle DPST 25A 125/250VAC Resistive
6	WC-8548	Kit, Membrane Plate and Board Assembly, 120/220V Alpha 3/5DSL
6A	WC-8576	Kit, Membrane Plate and Board Assembly, 20V Alpha 3/5DSL
7	WC-826	Valve, Inlet 1.0 GPM 1 20V
7A	WC-855	Valve, Inlet 10.0 GPM 220V
8	WC-889	Valve, Liquid Dispensing Left 120VAC 12W 12 IN WC HWR
8A	WC-860	Valve, Liquid Dispensing Left 220VAC 12W 12 IN WC HWR
9	WC-2401	Elbow, 1/4x3/8 Flare
10	WC-5970	Cover, Back Center Wrap Alpha DS

**Alpha DS Models (cont.)**

ITEM NO.	PART NO.	DESCRIPTION
11	WC-8556	Heat Sink Assembly DV Alphds D500AP TCTD/PTTD
12	WC-8529	Leg, Screw Bumper (3/8")
13	WC-1809	Faucet, Hot Water
14	WC-2936	Sprayhead, Red .131 Dia
14A	WC-2942	Sprayhead, Grey .219 Dia
15	WC-753	Control Board, Alpha DS 120/220 STD
15A	WC-712	Control Board, 220V Straight
16	WC-5310	Tubing, 5/16 ID Silicone General Use
17	WC-6652	Lid, Heating Tank
18	WC-5502-01	Probe, Water Level Control
19	WC-1438	Sensor, Temperature
20	WC-5229	Compound, Silicone 3/4 Oz. Tube
21	WC-917	Heating Element, 1450W 120V
21A	WC-922	Heating Element, 220V 3500W
22	WC-522	Thermostat, Reset
23	WC-6266	Heating Tank Complete, 120V or 220V
23A	WC-6265	Heating Tank Complete, 120/220V (Dual Voltage)
23B	WC-6267	Heating Tank, Complete, 220V
25	WC-3765	Kit, Valve Repair (Use with WC-826, Water Inlet Valve)
26	WC-3763	Kit, Valve Repair (Use with WC-889, Dump Valve)
27	WC-8591	Capacitor, X2 Used on All Ads
28	CR-10	Filter Paper, 12 Cup

**Items Specific to Alpha 1DS, 2DS,  
3DSR, 3DSL, 5DSR and 5DSL**

ITEM NO.	PART NO.	DESCRIPTION
29	WC-5450	Cover, Top Alpha 1DS, 3DSR and 3DSL
30	WC-58058	Cover, Bottom Alpha 3DSR and 3DSL, 5DSR and 5DSL
32	WC-58061	Cover, Top Alpha 2DS
32A	WC-58019	Top Cover Assembly, Alpha 2DS
33	WC-8574	Piggyback Assembly, ALP-2DS 120/220V

ITEM NO.	PART NO.	DESCRIPTION
33A	WC-8575	Piggyback Assembly, ALP-2DS 220V
34	WC-8572	Piggyback Assembly, ALP-1DS 120/220V
34A	WC-8573	Piggyback Assembly, ALP-1DS 220V
35	WC-129	Switch, Warmer Red Alpha 5DS, 5DSR and 5DSL

**Control Boards**

PART NO.	DESCRIPTION
WC-753	Control Board, 120V (Alpha DS Models)
WC-712	Control Board, 220V (Alpha DS Models)

**Piggyback Motherboard Assembly's**

PART NO.	DESCRIPTION
WC-8572	Kit, Membrane Plate and Board 120V/220V Alpha 1DS
WC-8573	Kit, Membrane Plate and Board Assembly 220V Alpha 1DS
WC-8574	Kit, Membrane Plate and Board 120V/1120V Alpha 2DS
WC-8575	Plate, Piggyback Motherboard Assembly, 200V Alpha 2DS
WC-8548	Kit, Membrane Plate and Board Assembly 120V/220V Alpha-315DSR/L
WC-8576	Kit, Membrane Plate and Board Assembly 200V Alpha-3DSI5DSLIR

**Membrane and Plate Assembly Kits**

PART NO.	DESCRIPTION
WC-37023	J Kit, Membrane and Plate Assembly (Alpha 1DS)
WC-37024	Kit, Membrane and Plate Assembly (Alpha 2DS)
WC-37025	Kit, Membrane and Plate Assembly (Alpha-3DSLIR, 5DSL/R, 6DSLIR, 10DSLIR)

(Illustration on page 177 and 178.)

## Top Covers

PART NO.	DESCRIPTION
WC-6218	Top Assembly, Complete 120V Alpha 3DS/L/R, 5DS/L/R
WC-5450	Cover, Top 1DS, 3DSR, 3DSL
WC-58019	Top Cover Assembly, Alpha 2DS, 120V
WC-5856	Top Cover Assembly, Alpha 2DS 220V
WC-58061	Cover, Top Alpha 2DS
WC-8567	Top Assembly, Complete 200V Alpha 3DS, 5DSL, 5DSR

## Bottom Covers

PART NO.	DESCRIPTION
WC-58056	Cover, Bottom Alpha 1DS, 2DS, 3DS
WC-58058	Cover, Bottom Alpha 3DSL, 3DSR, 5DSL, 5DSR

## Brewcones

PART NO.	DESCRIPTION
WC-3621	Brewcone, Universal
WC-3316	Brewcone, with Basket S.S.
CR-10	Filters, Coffee #506 1,000 Pack

## Tank Complete

PART NO.	DESCRIPTION
WC-6265	Heating Tank Complete 120/220V DV
WC-6266	Heating Tank Complete 120V or 220

## Sprayheads

PART NO.	DESCRIPTION
WC-2936	Sprayhead, .131 Dia (Red)
WC-2942	Sprayhead, .219 Dia (Grey)

### WE HAVE ONE OF THE LARGEST INVENTORIES OF OEM PARTS IN THE NATION!

*Our inventory of parts serves the needs of more than 100 Whaley Foodservice Technicians, and meets the needs of our parts customers as well. This inventory is managed by our state-of-the-art computer system which counts every individual transaction to continuously adjust stocking levels.*