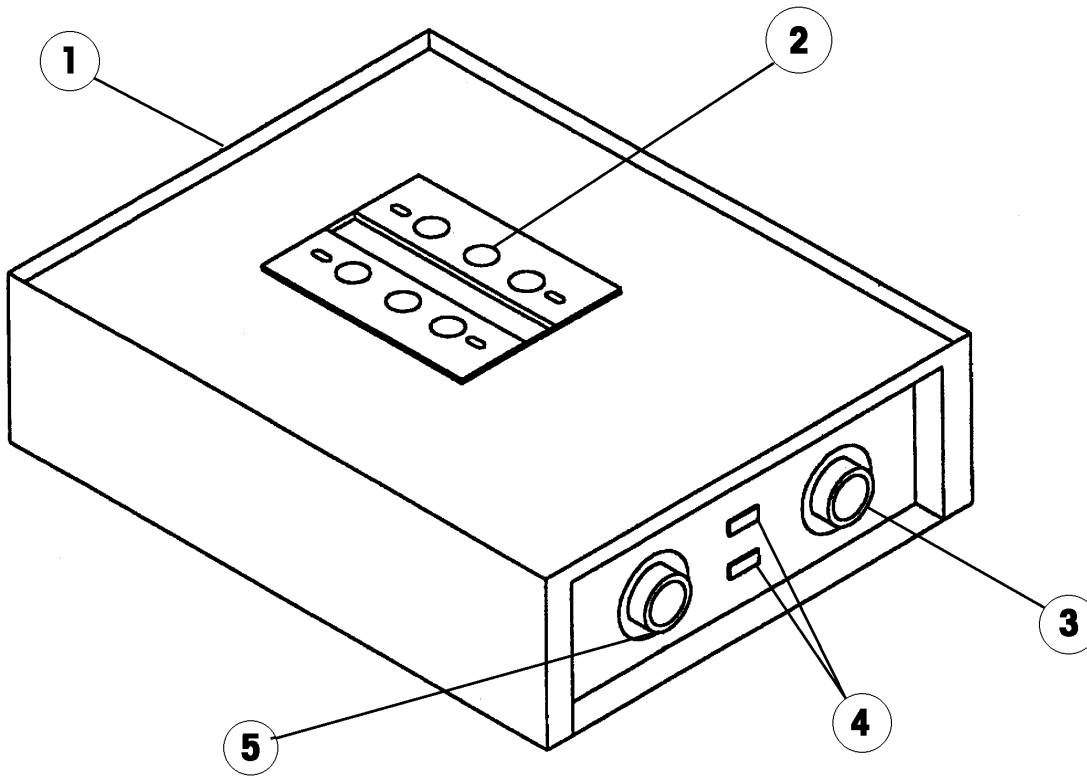


PU-18-747-7
 PU-18-747-8

Proof Cabinet 120 and 121 Series

CRFS COR

Proof Cabinet 120 and 121 Series



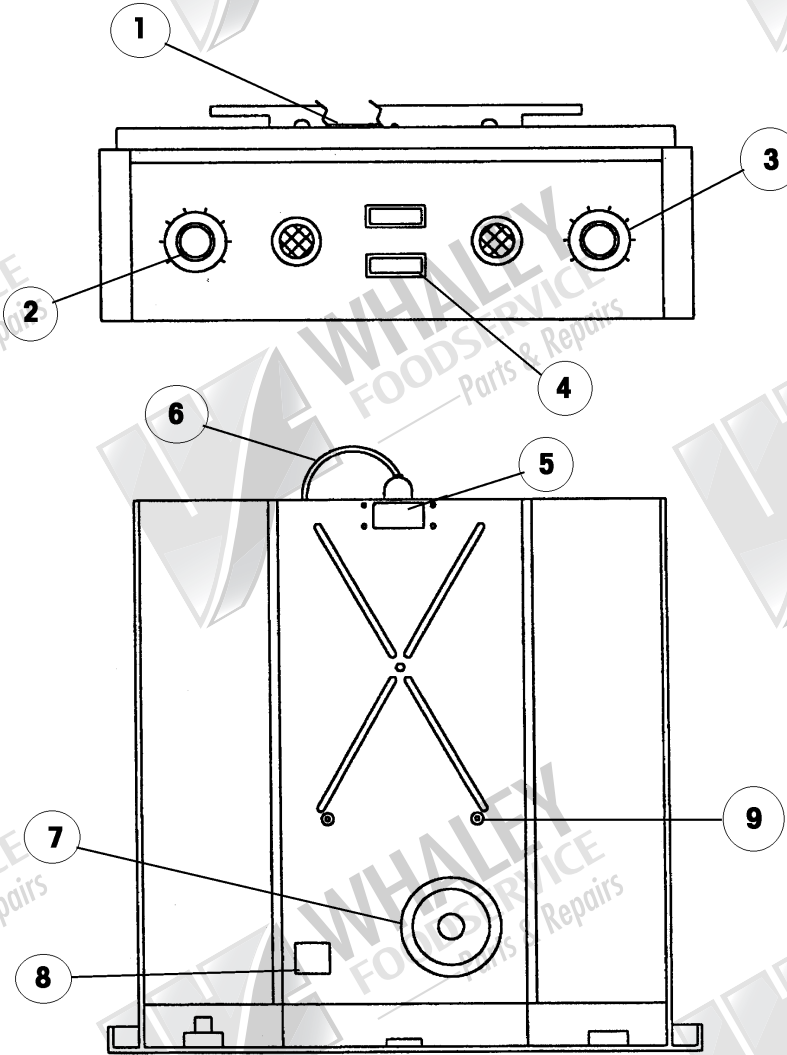
ITEM NO.	PART NO.	DESCRIPTION
1	0810-031-1	Cord Set, 120V
	0810-032-1	Cord Set, 240V
	0713-011	Base Receptacle, 120V
	0713-012	Base Receptacle, 240V
2	1245-001	Reservoir Cover
	1019-002	Reservoir
	0811-005-K	Heater Kit, 120V
	0811-015-K	Heater Kit, 240V

ITEM NO.	PART NO.	DESCRIPTION
3	0849-008-K	Timer Kit, 120V
	0849-009-K	Timer Kit, 240V
4	0766-048	Pilot Light, Amber, 120V
	0766-045	Pilot Light, Amber, 240V
	0766-047	Pilot Light, Red, 120V
5	0766-046	Pilot Light, Red, 240V
	0848-062-K	Thermostat



Hot Cabinet 130 and 131 Series

HU-18-1254-27
HU-18-1254-28



ITEM NO.	PART NO.	DESCRIPTION
1	1017-001-03	Water Reservoir & Cover Assembly
2	0848-062-K	Thermostat Kit
3	0849-008-K	Timer Kit, 120V
	0849-009-K	Timer Kit, 240V
4	0766-048	Pilot Light, Amber, 120V
	0766-045	Pilot Light, Amber, 240V
	0766-047	Pilot Light, Red, 120V
	0766-046	Pilot Light, Red, 240V
5	0978-007	Terminal Block Assembly

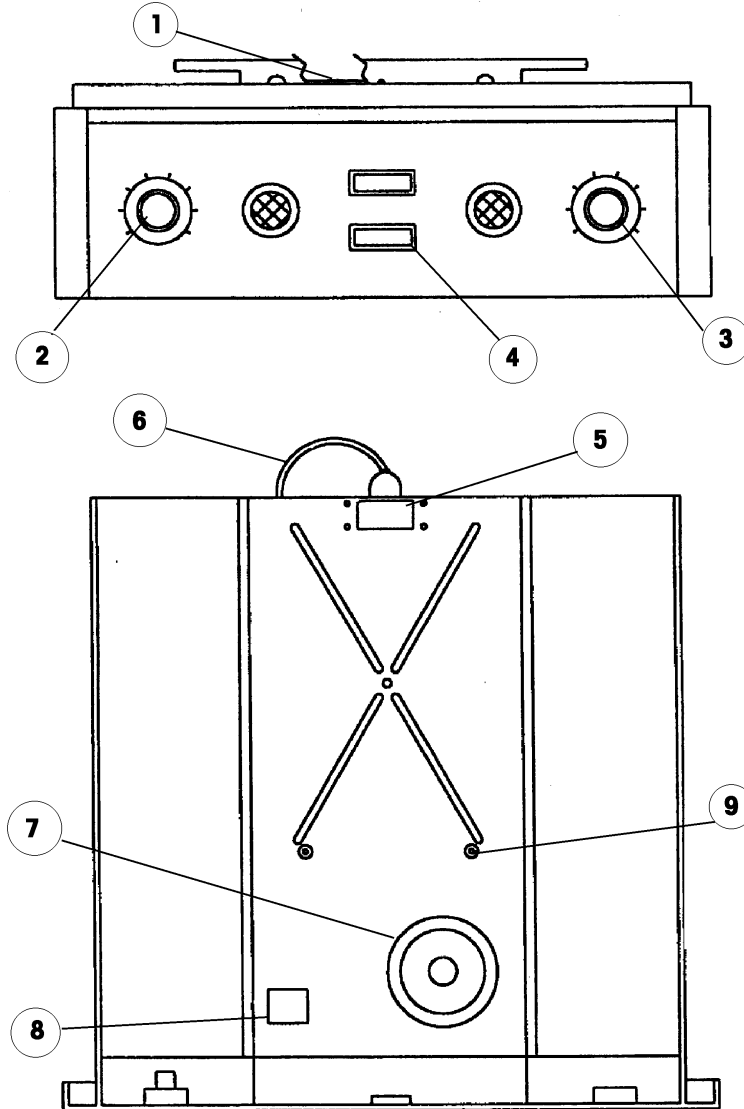
ITEM NO.	PART NO.	DESCRIPTION
6	0810-093	Power Supply Cord, 120V
	0810-039	Power Supply Cord, 240V
7	0769-005-K	Blower Motor Kit, 120V
	0769-006-K1	Blower Motor Kit, 240V
8	0852-091	Control Terminal Block
9	0811-022-K	Heater Kit, 120V
	0811-023-K	Heater Kit, 240V

HU-18-671-5 & -67
HU-18-671-6 & -68

Hot Cabinet H-137 Series

CRES COR

Hot Cabinet H-137 Series



ITEM NO.	PART NO.	DESCRIPTION
1	1017-001-03	Water Reservoir & Cover Assembly
2	0848-062-K	Thermostat Kit
3	0849-008-K	Timer Kit, 120V
	0849-009-K	Timer Kit, 240V
4	0766-048	Pilot Light, Amber, 120V
	0766-045	Pilot Light, Amber, 240V
	0766-047	Pilot Light, Red, 120V
	0766-046	Pilot Light, Red, 240V

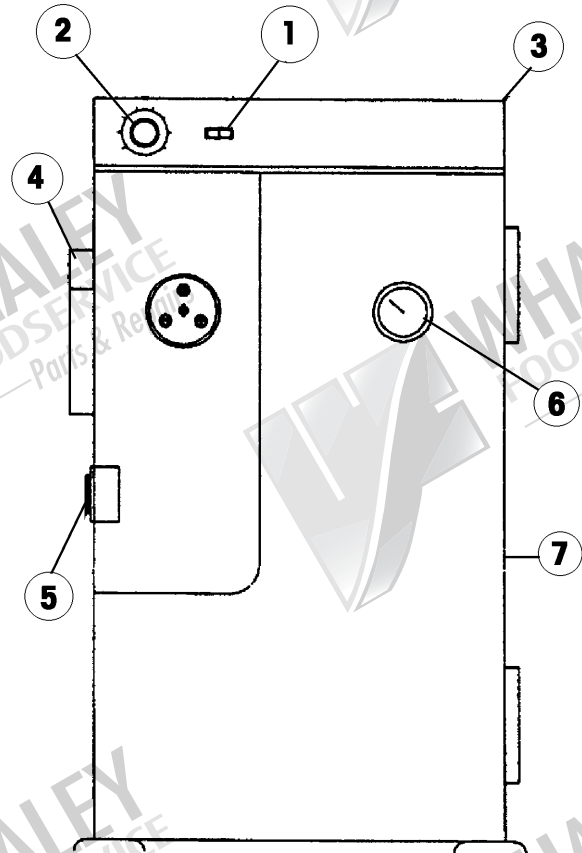
ITEM NO.	PART NO.	DESCRIPTION
5	0978-007	Terminal Block Assembly
6	0810-093	Power Supply Cord, 120V
	0810-039	Power Supply Cord, 240V
7	0769-005-K	Blower Motor Kit, 120V
	0769-006-K1	Blower Motor Kit, 240V
8	0852-091	Control Terminal Block
9	0811-022-K	Heater Kit, 120V
	0811-023-K	Heater Kit, 240V



H-339-128, H-339-127,
H339-124, H-339-188,
H-339-UA-8, H-339-1813,
H-339-188-PT Series

Heated Hand Lift Cabinet

ITEM NO.	PART NO.	DESCRIPTION
1	808-103	Switch, 120V
	808-103-1	Switch, 120V
2	808-8ACK	Thermostat Kit
3	810-31-1	Power Supply Cord, 120V
	810-32-1	Power Supply Cord, 240V
	713-11	Base Receptacle, 120V
	713-12	Base Receptacle, 240V
4	1006-112	Latch
	1006-991	Strike, R.H.
	006-100-1	Strike, L.H.
5	1246-11	Spring Compression Latch
6	5238-8K	Thermometer Kit
7	811-66K	Heater Kit, 120V (3 qty.)
	811-66-1K	Heater Kit, 240K (3 qty.)



INFO AT YOUR FINGERTIPS!

Whaley Foodservice Repairs offers an online system of equipment parts, service manuals, wiring diagrams, and much more.

You can even keep an electronic record of your maintenance schedule. Go to www.whaleyfoodservice.com. Click the icon for online ordering.

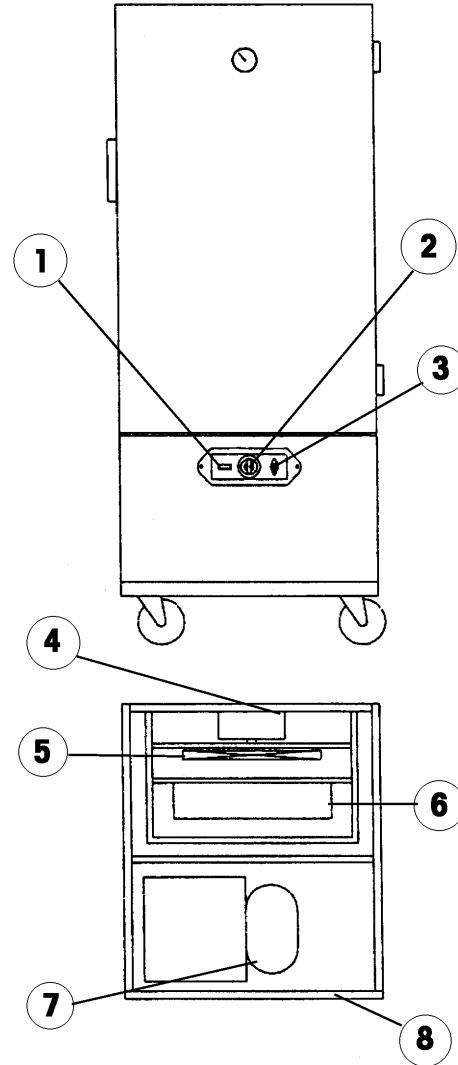
R-171

R-171 Refrigerated Cabinet

CRES COR

R-171 Refrigerated Cabinet

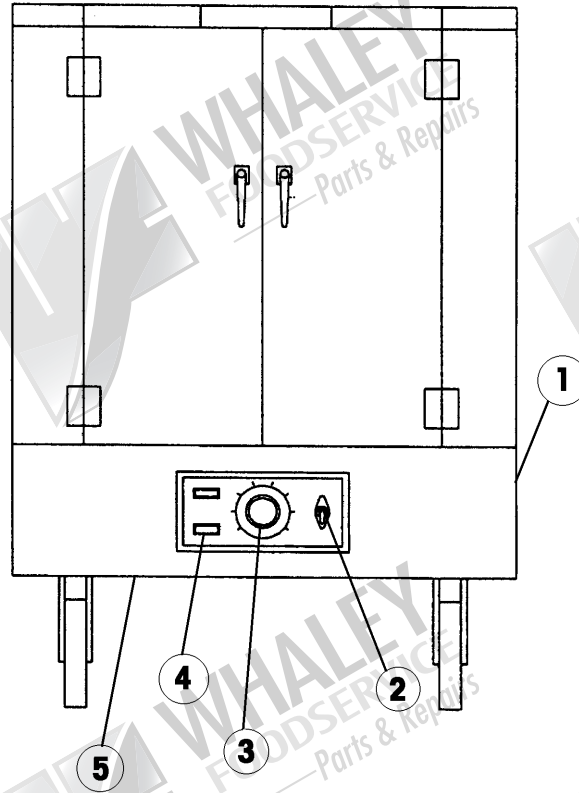
ITEM NO.	PART NO.	DESCRIPTION
1	766-48	Pilot Light
2	484-61K	Control
3	808-11	Switch
4	769-41	Fan Motor
5	769-23	Fan Blade
6	855-3	Evaporator
7	854-31	Compressor
8	810-31-1	Power Supply Cord
	713-11	Base Receptacle



**Whaley Foodservice
Repairs is proud
of our 60 years
of dependable,
reliable service
and we bring it
to work with
us every day.**

**HJ-531
HJR-531**

Heated Dish Dolly



ITEM NO.	PART NO.	DESCRIPTION
1	810-31-1	Power Supply Cord, 120V
	810-32-1	Power Supply Cord, 240V
	713-11	Base Receptacle, 120V
	713-12	Base Receptacle, 240V
2	808-11	Switch, 120V
	808-20	Switch, 240V
3	848-8ACK	Thermostat Kit
4	766-48	Pilot Light, Amber, 120V

ITEM NO.	PART NO.	DESCRIPTION
	766-45	Pilot Light, Amber, 240V
	766-47	Pilot Light, Red, 120V
	766-46	Pilot Light, Red, 240V
5	769-5K	Blower Motor Kit, 120V
	769-6K1	Blower Motor Kit, 240V
	811-74	Heaters, 120V
	811-74-1	Heaters, 240V