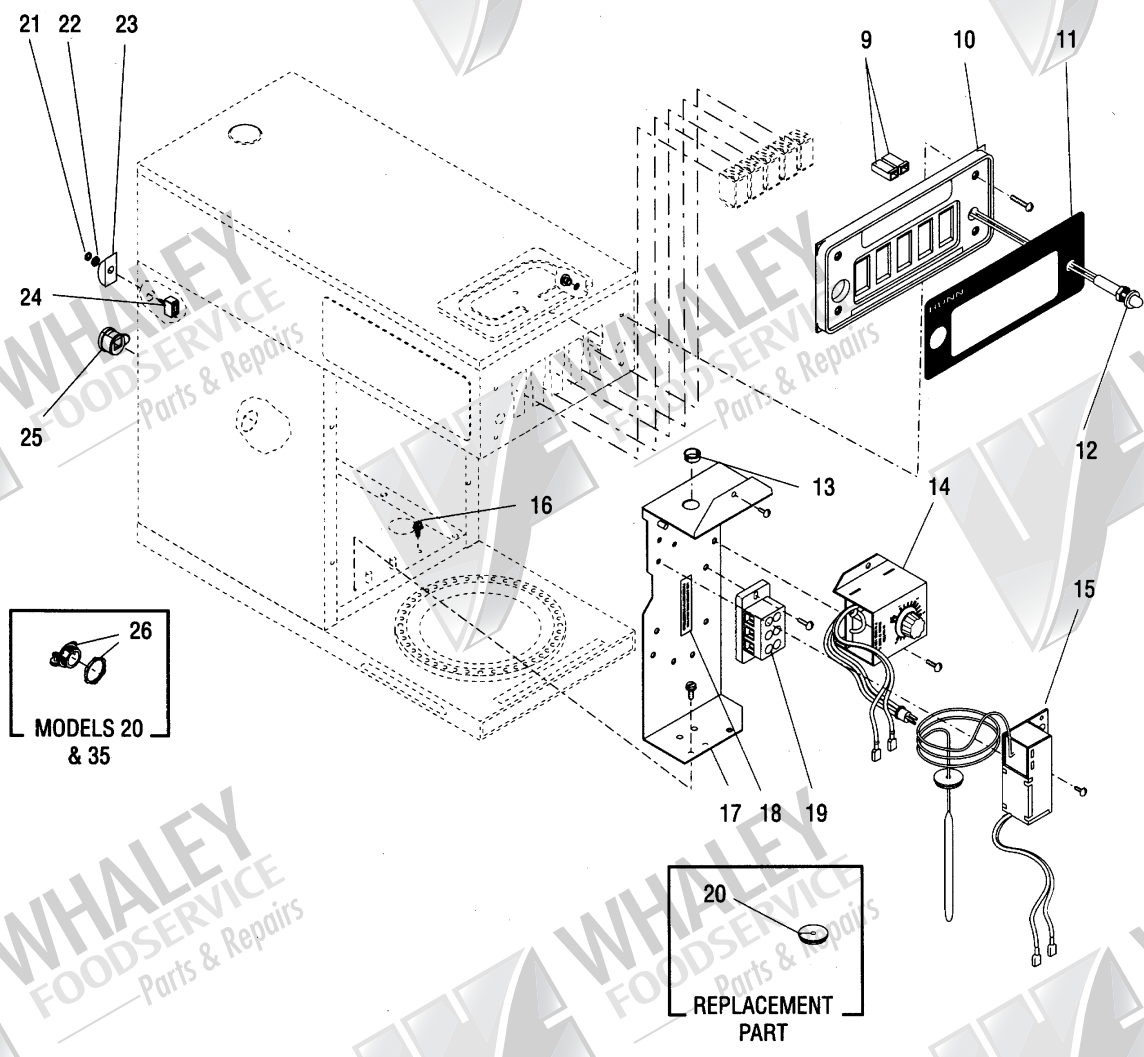
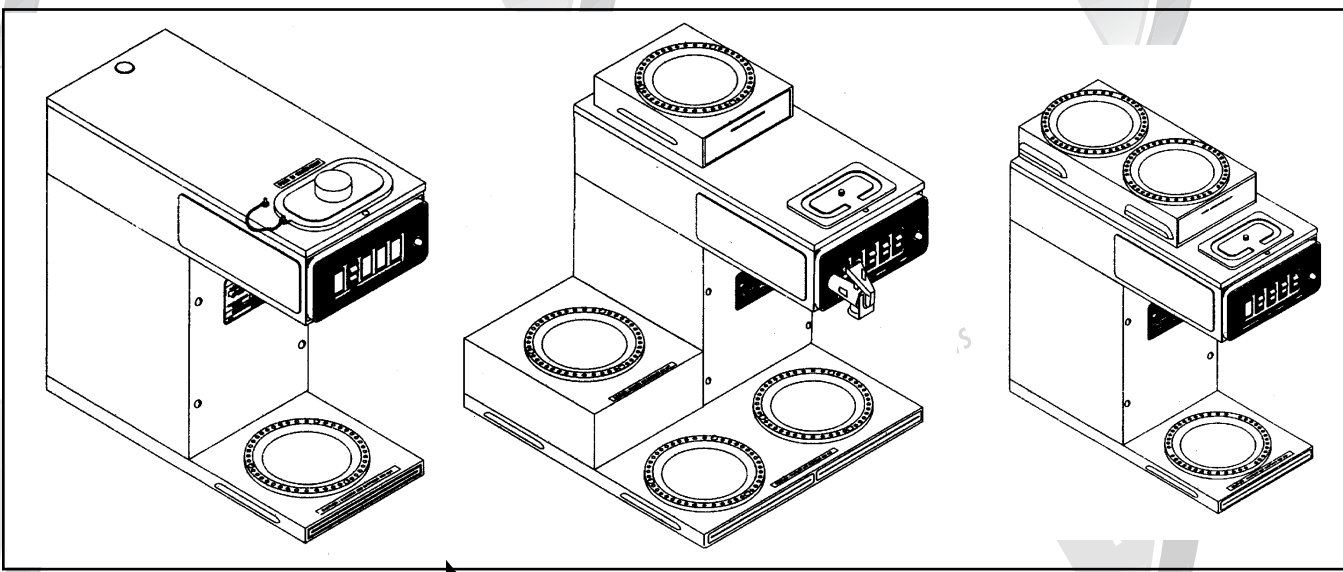
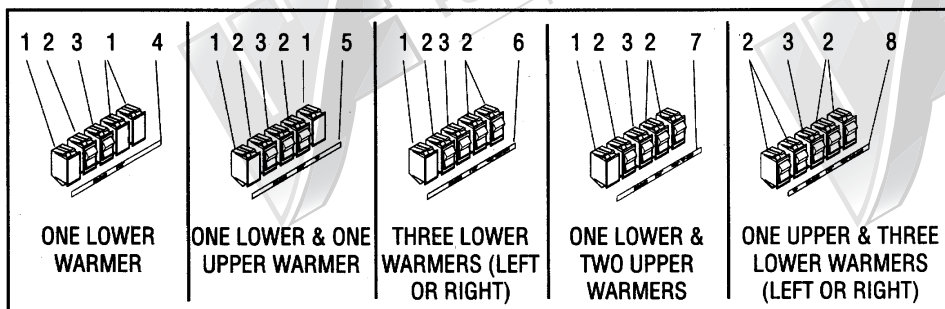


Models CT and CTF



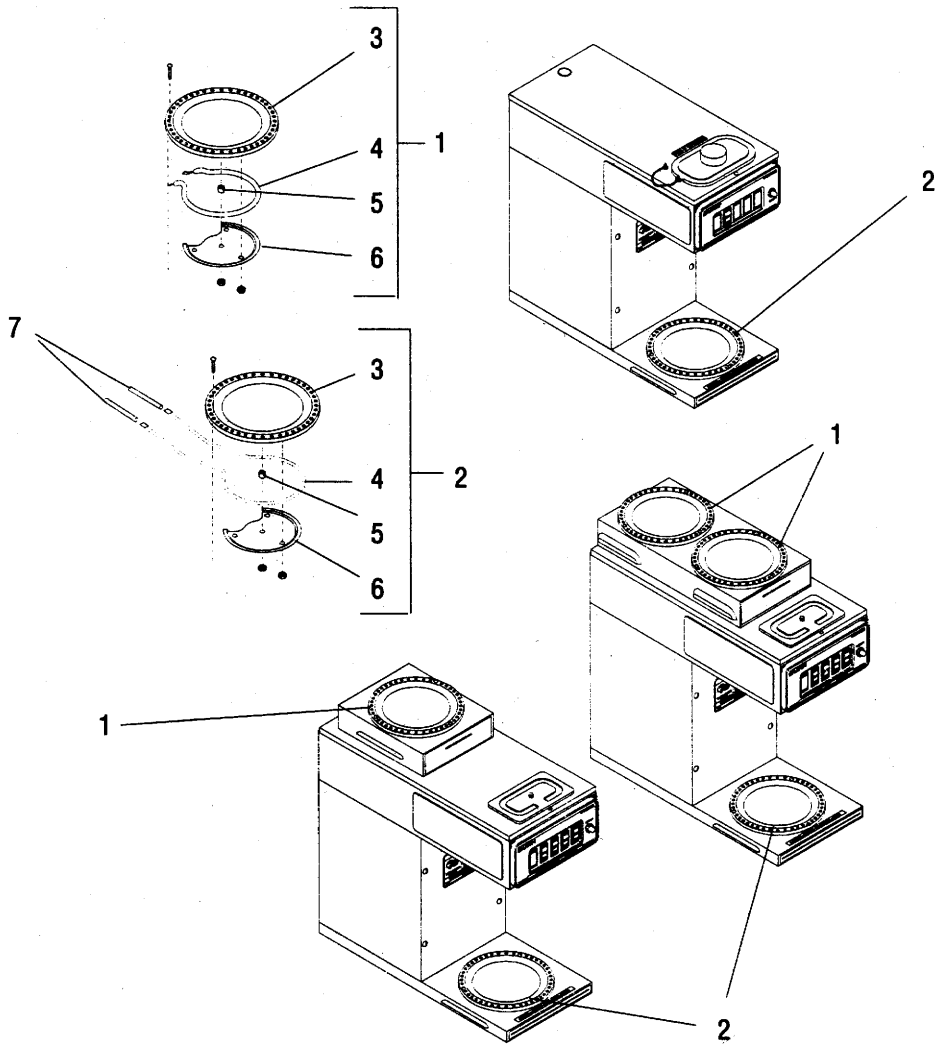


(Illustration on page 113.)

Electrical and Operating Components

ITEM NO.	PART NO.	DESCRIPTION
1	12921.0000	Switch Blank, BLK, (Use As Required)
2	12920.0000	Switch ON/OFF 120V, (Use As Required)
	12920.0002	Switch ON/OFF 240V, (Use As Required)
3	01063.0000	Switch, Momentary Start
4	22295.0004	Label, Switch ON/OFF (One Warmer Brewer)
5	22295.0005	Label Switch ON/OFF (Two Warmer Brewer)
6	22295.0006	Label, Switch ON/OFF (Three Lower Warmer Brewer Left or Right)
7	22295.0010	Label, Switch ON/OFF (One Lower Warmer and Two Upper Warmer Brewer)
8	22295.0007	Label, Switch ON/OFF (Four Warmer Brewer)
9	04243.0000	Terminal Housing, Receptacle (2 qty.)
10	13352.0008	Control Panel
	02301.0000	Screw Phillip Pan Head #6 - 32 x .625" (4 qty.)
	01510.0000	Lockwasher, External Tooth #6 (4 qty.)
	02371.0000	Thumb Nut, Knurled #6 - 32 (4 qty.)
11	22288.0003	Decal, Control Panel (With Faucet and Ready Light)
	22288.0001	Decal, Control Panel (With Ready Light)
12	12984.0002	Light Assembly, 120V Green (Includes Item No. 9)
	12984.0004	Light Assembly, 240V Green (Includes Item No. 9)
13	01663.0000	Bushing, Snap .875" Diameter
14	02235.1000	Timer, 5 min. 120V
	02308.0000	Screw, Pan Head - Serrated #8 - 32 x .375"

ITEM NO.	PART NO.	DESCRIPTION
15	04227.1001	Thermostat Kit
	02308.0000	Screw, Pan Head #8 - 32 x .375"
16	02337.0001	Screw, Hex Head #10 x .375" (Cord Ground)
17	12698.0000	Bracket Assembly, Component Mounting
	01347.0000	Screw, Truss Head #6 - 32 x .375"
	02332.0001	Screw, Hex - Crimpite #6 x .250"
18	00870.0000	Decal, Use Copper Wire Only
19	07038.0000	Terminal Block, 3 Pole - Red/White/Black
	01317.0000	Screw, Truss Head #8 - 32 x .50" (2 qty.)
20	07073.0000	Grommet, Thermostat
21	23697.0000	Facenut, Plastic
22	23696.0000	Nut, Hex
23	25102.0000	Bracket, Switch Indicator/Guard
24	23522.0000	Switch, ON/OFF Toggle (Includes Item No. 22)
25	01686.0000	Bushing Strain Relief (Model 15)
26	01685.0000	Connector, Cable .50 MPT (Model 20 & 35)
	01719.0000	Power Cord Assembly (15 Amp Brewers Only)
	12985.0000	Wiring Harness, Ready Light
	25328.0000	Wiring Harness, Main 120V
	25329.0000	Wiring Harness, Main 120V/240V
	25328.0001	Wiring Harness, Main 240V
	25326.0000	Wiring Harness, 4th Warmer, 120V
	12919.0000	Cap, Terminal Cover - BLK (Use as Required) (9 qty.)

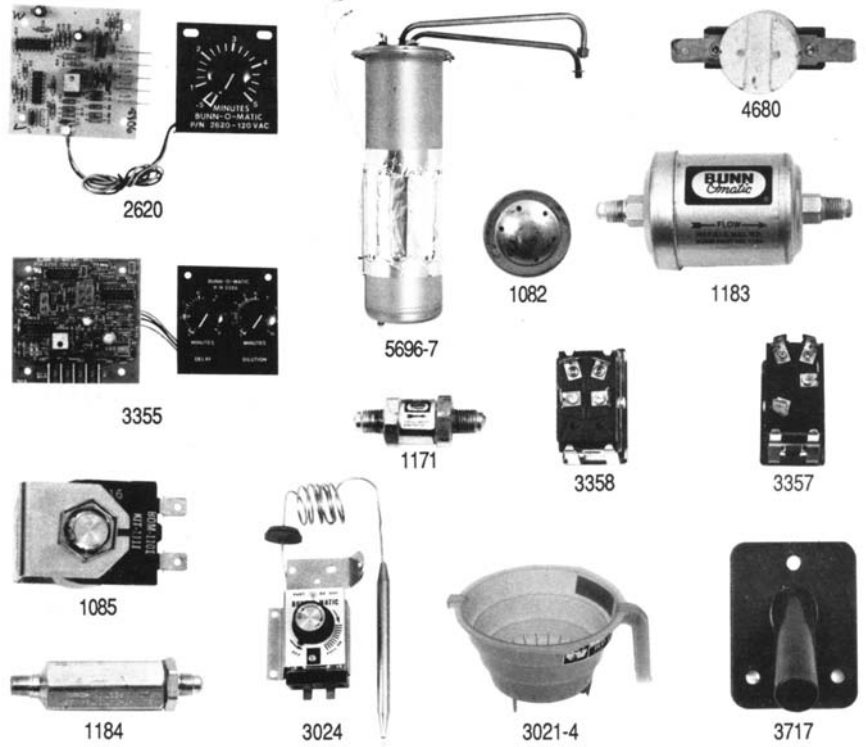


Warmer Assembly

ITEM NO.	PART NO.	DESCRIPTION
1	03652.0000	Warmer Assembly 100W 120V, Top and Side Warmers (Includes Items No. 3 through 6)
	01303.0000	Screw, Pan Head #4 - 40 x .50" (3 qty.)
	00913.0000	Fastener, J-Type #4 - 40 (3 qty.)
2	11440.0005	Warmer Assembly 100W 120V, Lower Warmers (Includes Items No. 3 through 6)
	01303.0000	Screw, Pan Head #4 - 40 x .50" (3 qty.)
	00913.0000	Fastener, J-Type #4 - 40 (3 qty.)
3	03656.0000	Warmer Dish, Blk 45 Hole

ITEM NO.	PART NO.	DESCRIPTION
4	01227.0000	Warmer Element 100W 120V, Top and Side Warmers
	11442.0000	Warmer Element 100W 120V, Lower Warmers
5	13042.0001	Spacer, .174" I.D. x .188
6	05212.0000	Plate, Element Retaining
	00970.0000	Nut, Keps #8 - 32 (2 qty.)
7	—	Tube, Silicone .250" Dia. x 1.88" LG. (Order Item No. 9) (2 qty.)
8	12922.0000	Wiring Harness, Three Warmer Brewers 10V
9	04828.1001	Tube, Silicone .250" Dia. X 24" LG (Use As Required)

PT-3 and TU-3 Series Iced Tea Brewers



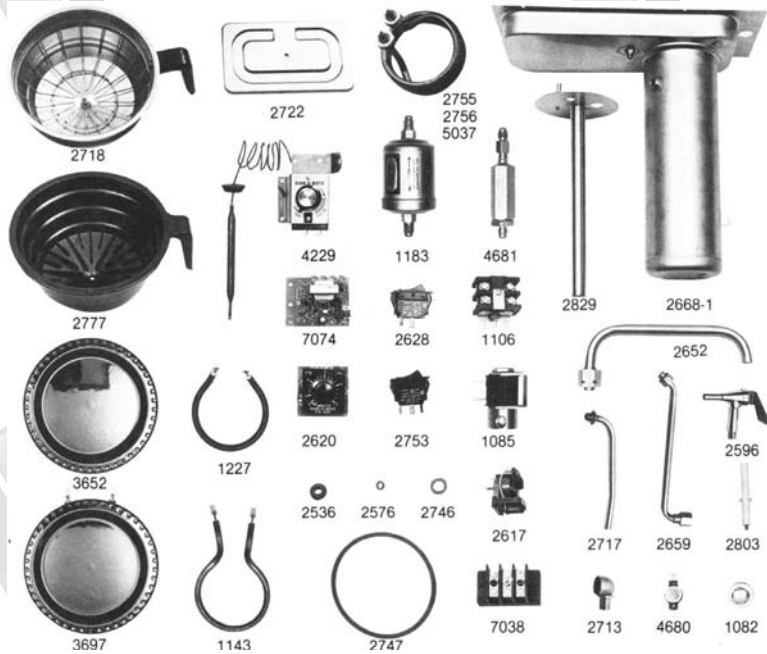
PART NO.	DESCRIPTION
1171	Check Valve
1637	Cordset, 5", 16/3, HSJO, NEMA 5-15P
3409	Decal, Hot Liquids
3408	Decal, Remove Funnel Slowly
1188	Delimiting Spring
3717	Dilution Nozzle
3240-6	Dilution Tubing
3238	Dilution Tubing Clamp
1184-6	Flow Regulator, External (.750)
1184-3	Flow Regulator, Internal (.195)
1175	Foot Assembly, PT3
4198	Foot, TU3 (4 qty. in package)
3021-4	Funnel Assembly
1037-2	Funnel Tip & Screen Kit
4680	Limit Thermostat
3357	ON/OFF Switch
1085	Solenoid Valve
1066	Solenoid Valve Bonnet Wrench
3473-3	Solenoid Valve Manifold Tube
1111	Solenoid Valve Repair Kit

PART NO.	DESCRIPTION
1075	Sprayhead Fitting Nut
5557	Sprayhead Tube Kit
1082	Sprayhead, 6-Hole
3358	Start Switch
3068	Tank
5696-7	Tank Assembly
3070	Tank Heater (1680 Watt)
3468	Tank "Keep Warm" Heater
3371	Tank Lid
4844	Tank Lid Gasket
7073	Thermostat Grommet
3024-2	Thermostat, Robertshaw
3024-3	Thermostat, White Rodgers
2620	Timer, Brew
3355	Timer, Dilution
3760-1	Trunk Extension Kit 6" (TU3)
3760-2	Trunk Extension Kit 3" (TU3)
3760-3	Trunk Extension Kit 8" (TU3)
1183	Water Strainer
3739	Wiring Harness

Models STF-15, STF-20, STF-35 Coffee Brewers

BUNN

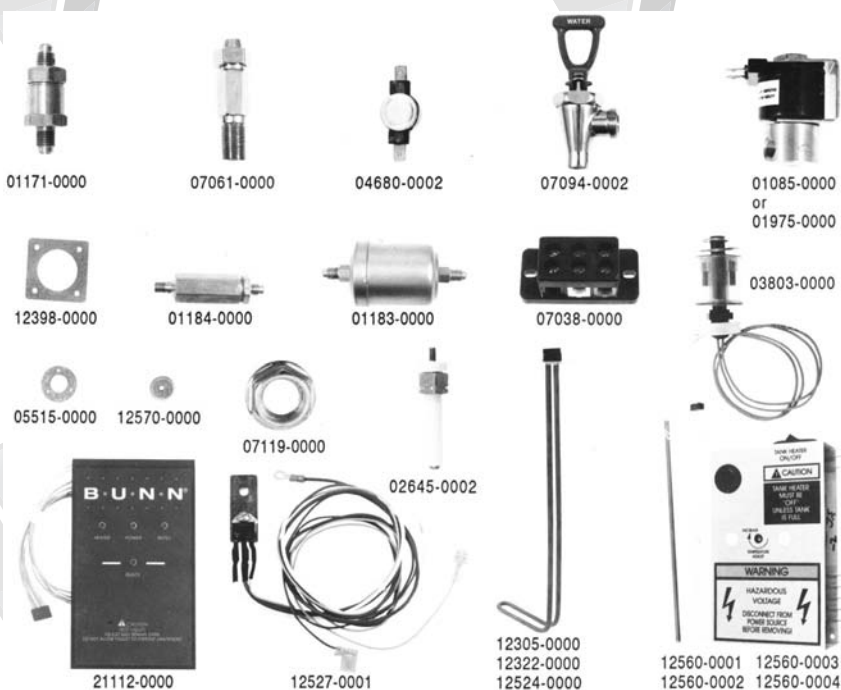
Models STF-15, STF-20, STF-35 Coffee Brewers



PART NO.	DESCRIPTION
929	Sprayhead Tube Compression Fitting
1075	Sprayhead Tube Nut
1082	6-Hole Sprayhead
1085	Solenoid 1085.0002
1106	Terminal Block (Models 15 & 20)
1183	Water Strainer
2536	Probe Grommet
2576	Faucet Gasket
2596	Faucet (2766 Replacement Faucet Seat Cup)
2617	Relay
2620	Time Board With Dial
2628	Start Switch
2652	Tank Fill Tube
2659	Faucet Tube With Compression Fitting
2668-1	Tank/Fill Basin
2695	Electrical Wiring Harness (Models 15 & 20)
2698	Electrical Wiring Harness (Model 35)
2713	Syphon Cup
2717	Sprayhead Tube
2718	Stainless Steel Brew Funnel Assembly
2722	Pour-Over Cover
2745	Syphon Cup Nut

PART NO.	DESCRIPTION
2746	Syphon Cup Gasket
2747	Tank Lid Gasket
2753	Lighted Warmer Switch
2755	Tank Heater With Nuts and Seals (Model 15)
2756	Tank Heater With Nuts and Seals (Model 20)
2775	Tank Lid Hold-Down Clamp (3 Required)
2777	Plastic Brew Funnel
2803	Liquid Level Probe
2829	Tank Lid
3652	Porcelain Warmer Assembly (Top Only) (1227 Replacement Element)
3697	Porcelain Warmer Assembly (Bottom Only) (1143 Replacement Element)
4229	Control Thermostat
4260	Tank "Keep Warm" Heater
4680	Limit Thermostat
4681	Flow Valve With Adaptor
5037	Tank Heater With Nuts and Seals (Model 35)
7038	Terminal Block (Model 35)
7074	Liquid Level Control Board

HW™ -5 and 5-A Hot Water Dispenser with Ready Light



PART NO.	DESCRIPTION
01171-0000	Check Valve
12560-0001	Electronic Control Assembly (100-120VAC, 100°±15), Includes Matched Temperature Sensor
12560-0002	Electronic Control Assembly (100-120VAC, 200°±15), Includes Matched Temperature Sensor
12560-0003	Electronic Control Assembly (200-240VAC, 100°±15), Includes Matched Temperature Sensor
12560-0004	Electronic Control Assembly (200-240VAC, 200°±15), Includes Matched Temperature Sensor
07244-0000	Faucet Handle, Red
00600-0000	Faucet Seat Cup
07079-0000	Faucet Shank Gasket
07119-0000	Faucet Shank Nut, Chrome
07061-0000	Faucet Shank, Chrome (1-3/4")
07094-0002	Faucet, Chrome With Red Handle
01184-00015	Flow Regulator (.5 G.P.M.) For Use With 12560-0001 & 12560-0003
01184-0016	Flow Regulator (.75 G.P.M.) For Use With 12560-0002 & 12560-0004

PART NO.	DESCRIPTION
00731-0000	Foot
21112-0000	Front Panel Indicator Assembly
12517-0000	Indicator LED
04680-0002	Limit Thermostat
02645-0002	Liquid Level Probe
12518-0000	Overflow Tube
05515-0000	Overflow Tube Gasket
03803-0000	Safety Overflow Switch
03633-0000	Safety Overflow Switch Gasket
01085-0000	Solenoid Valve (100-120 VAC)
01975-0000	Solenoid Valve (200-240 VAC)
12375-0002	Tank
12524-0000	Tank Heater (1800 Watt @ 120V)
12305-0000	Tank Heater (4000 Watt @ 208V)
12322-0000	Tank Heater (4000 Watt @ 240V)
12398-0000	Tank Heater Gasket
12376-0000	Tank Lid
12377-0000	Tank Lid Gasket
07038-0000	Terminal Block
12570-0000	Temperature Probe Grommet
12527-0001	Triac Assembly (25 Amp)
12542-0000	Wall Mounting Bracket Assembly
01183-0000	Water Strainer