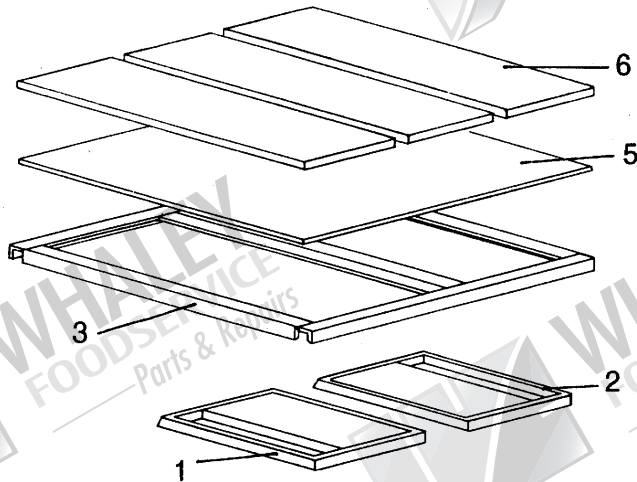


00 Series Floor Model Gas Ovens

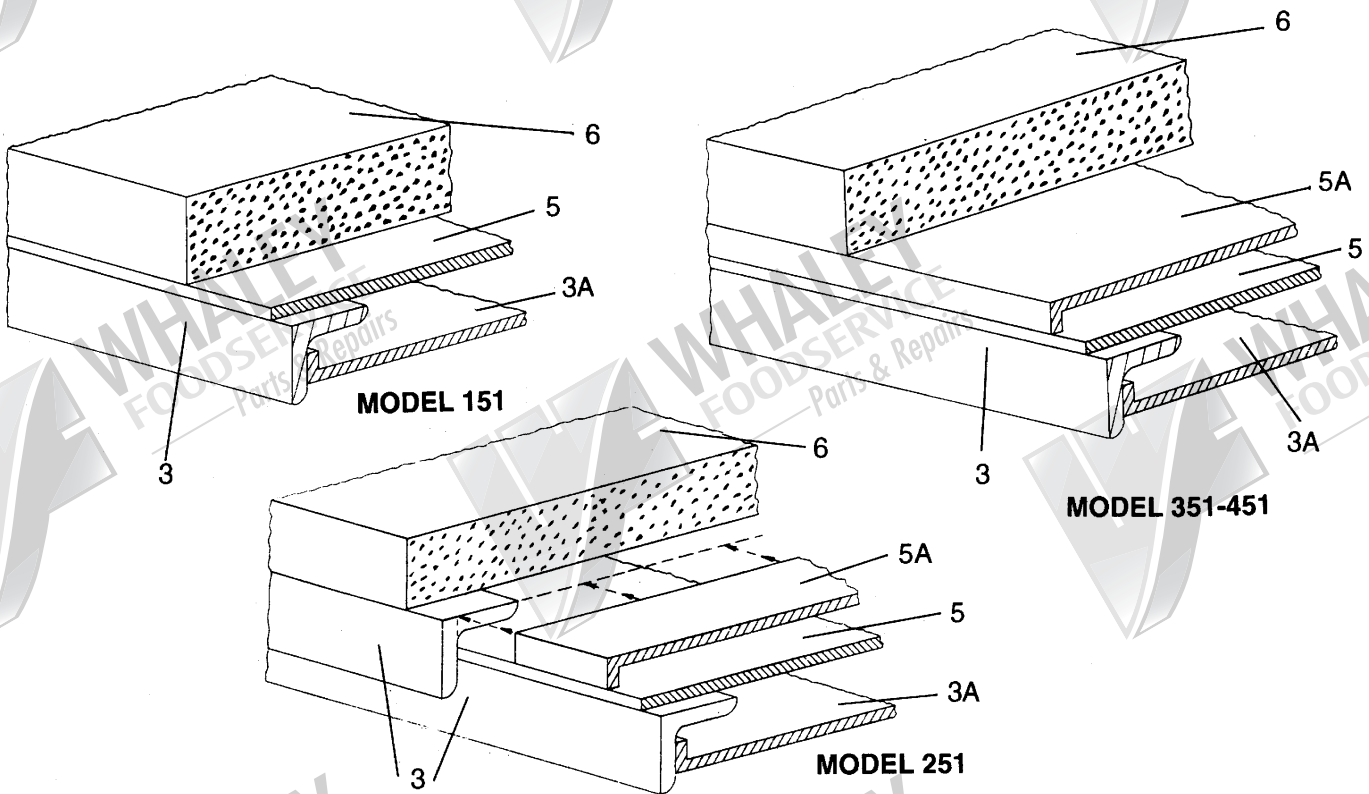
Models 151, 251, 351, 451



ITEM NO.	PART NO.	DESCRIPTION	MODEL USED ON
1 & 2	A1258X	Front Flame Diverter, Set of 2, Left & Right	O/S 100s
	A1259X	Front Flame Diverter, Set of 2, Left & Right	O/S 200s
	A1260X	Front Flame Diverter, Set of 2, Left & Right	O/S 300s
	A1261X	Front Flame Diverter, Set of 2, Left & Right	O/S 400s
3	A1210U	Angle Hearth Support Frame Without Pans	100s
	A1404T	Angle Hearth Support Frame Without Pans	200s
	A1403T	Angle Hearth Support Frame Without Pans	300s
	A1293T	Angle Hearth Support Frame Without Pans	400s
	A1210U	Angle Hearth Support Frame Without Diverter	O/S 100s
	A1209U	Angle Hearth Support Frame Without Diverter	O/S 200s
	A1208U	Angle Hearth Support Frame Without Diverter	O/S 300s
	A1200U	Angle Hearth Support Frame Without Diverter	O/S 400s
3A	A1405X	Bottom Front 1/2 Size SS Air Pans (Set of 2)	151, 251

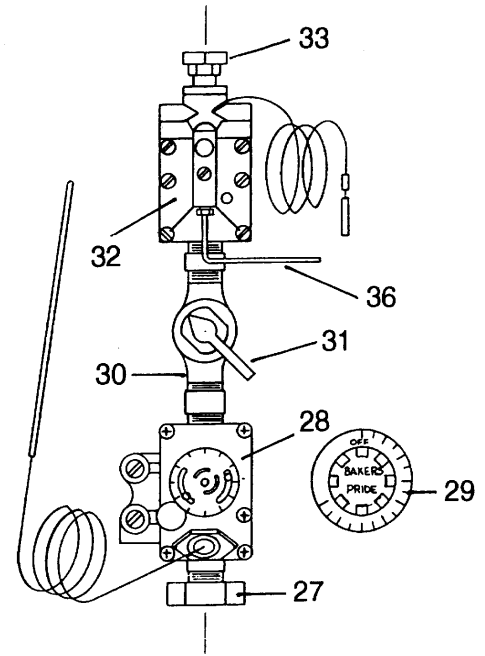
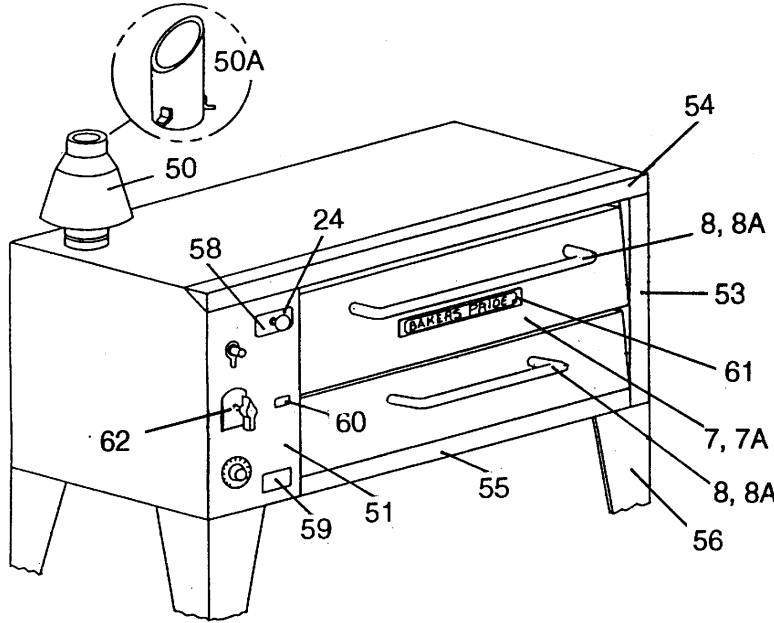
ITEM NO.	PART NO.	DESCRIPTION	MODEL USED ON
3A	A1297X	Bottom Front 1/2 Size SSI Air Pans (Set of 2)	351
	A1284X	Bottom Front 1/2 Size SS Air Pans (Set of 3)	451
5	A1233X	Hearth Liner Sheets, Set of 2 for Pizza Ovens	151, 104P
	A1234X	Hearth Liner Sheets, Set of 2 for Pizza Ovens	251, 204P
	A1235X	Hearth Liner Sheets, Set of 2 for Pizza Ovens	351, 304P
5A	A1296X	Top Full Size Air Pans (Set of 2)	351
	A1285X	Top Full Size Air Pans (Set of 3)	451
6	T1106Y	Hearth Baking Deck, 1-1/2" x 18-1/16" x 24-9/16", Ea.	151
	T1113X	Hearth Baking Deck, 1-1/2" x 18-1/17" x 24-9/16" (Set of 2)	151
	T1104Y	Hearth Baking Deck, 1-1/2" x 18-1/16" x 34-9/16", Ea.	251, 451
	T1111X	Hearth Baking Deck, 1-1/2" x 18-1/16" x 34-9/16" (Set of 2)	251
	T1105Y	Hearth Baking Deck, 1-1/2" x 18-1/16" x 34-9/16", Ea.	351
	T1112X	Hearth Baking Deck, 1-1/2" x 22-9/16" x 34-9/16" (Set of 3)	351
	T1110X	Hearth Baking Deck, 1-1/2" x 18-1/16" x 35-9/16" (Set of 3)	451
	T1004X	Steel Baking Deck With Screws	100s
	T1003X	Steel Baking Deck With Screws	200s
	T1002X	Steel Baking Deck With Screws	300s
	T1001X	Steel Baking Deck With Screws	400s
	A1153U	Hearth SS Front Trim	451, 404P
	AT1154U	Hearth SSI Front Trim	351, 304P
	AT1155U	Hearth SS Front Trim	151, 104P, 251, 204P
7	A1003W	Top Door Complete w/o Handle for 8" Ovens	151, 101, 251, 201





ITEM NO.	PART NO.	DESCRIPTION	MODEL USED ON
7	A1002W	Top Door Complete Without Handle for 8" Ovens	351, 301
	A4204W	Top Door Complete Without Handle for 8" Ovens	451, 401
	A1006W	Top Door Complete Without Handle for 12" Ovens	104, 104P, 204, 204P
	A1005W	Top Door Complete Without Handle for 12" Ovens	304, 304P
	A1004W	Top Door Complete Without Handle for 12" Ovens	404, 404P
7A	A1001K	Top Door Cover SS for 17-1/2" Handle	N/A
	A4204K	Top Door Cover SS 8" Ovens for 30" Handle	451-401
8, 8A	S1002X	Door Handle, 17-1/2" With 2 Screws	All
	S1117X	Door Handle, 17-1/2" With 2 Screws, Insulated	All

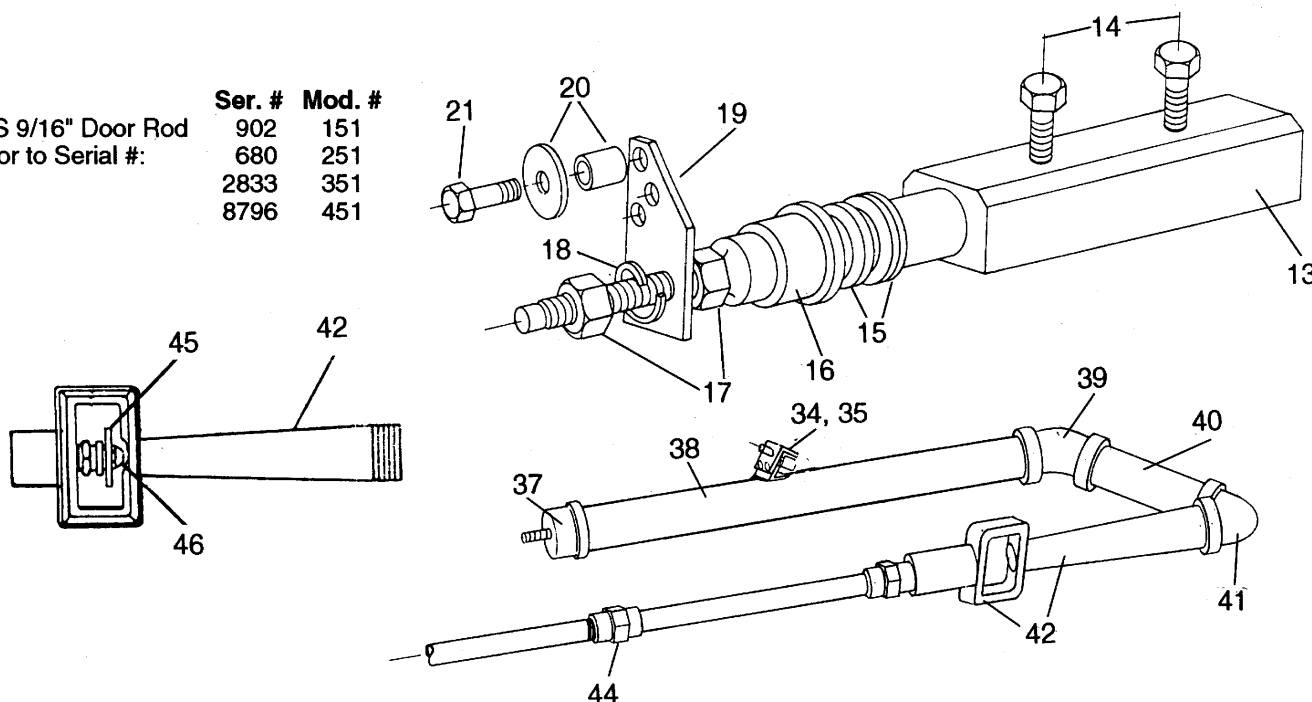
ITEM NO.	PART NO.	DESCRIPTION	MODEL USED ON
8, 8A	S1196X	Door Handle, 30" With 2 Screws	451, 401, 404
	S3008A	Door Pin Bushing for 9/16" OD Door Pins	All
	Q3023Y	Door Pin Spacer Kit for 9/16" OD Door Pins	All
	S3009X	Door Pin, 3" x 9/16" OD With Nuts & Spacers	All
13, 14	S3039X	Door Rod, 3/4" OD x 8" With Bolts	All
	S3010X	Door Rod, 9/16" OD x 8" With Bolts O/S	All O/S
13-21	S3039W	Door Rod Complete, 3/4" OD x 8" Long	151-451, 101-401
	S3010W	Door Rod Complete, 9/16" OD x 8" Long	O/S 151-451, 101-401



ITEM NO.	PART NO.	DESCRIPTION	MODEL USED ON	ITEM NO.	PART NO.	DESCRIPTION	MODEL USED ON
13-21	S3072W	Door Rod Complete, 3/4" OD x 8" Long	104-404	24	S1005A	Heat Control Damper Knob	All
	S3073W	Door Rod Complete, 9/16" OD x 8" Long	104-404	27-33	M1065X	Plumbing Assembly Union to Union 650° 8" Ovens	151-451
15	Q3024Y	Door Rod Spacer Kit for 3/4" OD Door Rods	All		M1068X	Plumbing Assembly Union to Union 650° 12" Ovens	104P-404P
	Q3023Y	Door Rod Spacer Kit for 9/16" OD Door Rods	O/S		M1117X	Plumbing Assembly Union to Union 550° 8" Ovens	101-401
16	S3135A	Door Rod Bushing for 3/4" OD Door Rods	All		M1118X	Plumbing Assembly Union to Union 550° 12" Ovens	104-404
	S3008A	Door Rod Bushing for 9/16" OD Door Rods	O/S	28, 29	M1005X	Thermostat FDTH With Knob 650°F	151-451
19	S3056T	Spring Lever Arm for 8" Ovens	151-451, 101-401		M1006X	Thermostat FDTO With Knob 550°F	101-401, 104-404
	S3055T	Spring Lever Arm for 12" Ovens	104-404	29	S1056A	Thermostat Knob 650°F	151-451, 104P-404P
20	S3007A	Spring Roller	All		S1163A	Thermostat Knob 340°C	151-451, 104P-404P
21	Q2301A	Spring Lever Shoulder Bolt	All		S1057A	Thermostat Knob 550°F	101-401, 104-404
	S3002A	Top Door Spring, Large	All		S1164A	Thermostat Knob 300°C	101-401, 104-404
	S3004A	Bottom Door Spring, Small	100s & 200s				
	S3003A	Bottom Door Spring, Medium	300s & 400s				

O/S 9/16" Door Rod
Prior to Serial #:

Ser. #	Mod. #
902	151
680	251
2833	351
8796	451



ITEM NO.	PART NO.	DESCRIPTION	MODEL USED ON
30, 31	R3001X	1/2" Gas Valve With Handle	All
31	S1001T	Gas Valve Handle With Screw	All
32	M1004A	Safety Pilot FMEA	All
	M1003A	Safety Pilot — FMDA for Auto Oven Starter	Optional
	R1001T	Manifold	All
34, 35	M1054X	Pilot Burner 11E NAT	All NAT
	M1055X	Pilot Burner 11E LP	All LP
35	M1056A	Pilot Burner Orifice NAT #18 (.018")	All NAT
	M1057A	Pilot Burner Orifice LP #10 (.010")	All LP
	K1374X	Pilot Burner Conversion Adapter #54 to #11E	O/S
36	R3036X	Pilot Tubing SSI 45" With Nuts & Ferrules	All
	M1008A	Pressure Regulator — NAT 5" Water Column	O/S
	M1184A	Pressure Regulator 3.5" Water Column	All NAT
	M1009A	Pressure Regulator LP 10" Water Column	All LP

ITEM NO.	PART NO.	DESCRIPTION	MODEL USED ON
37-41	L5005W	Burner With Cap and Elbow	100s & 200s
	L5004W	Burner With Cap and Elbow	300s
	L5003W	Burner With Cap and Elbow	400s
42	L5001A	Inspirator #3	100s-300s
	L5002A	Inspirator #4	400s
37-45	L5005X	Burner, Inspirator, Spud Assembly Complete to Union Without Orifice	100s & 200s
	L5004X	Burner, Inspirator, Spud Assembly Complete to Union Without Orifice	300s
	L5003X	Burner, Inspirator, Spud Assembly Complete to Union Without Orifice	400s
45	R3007A	Spud Assembly #3 Without Orifice	100s-300s
	R3015A	Spud Assembly #4 Without Orifice	400s
46	R3119A	Orifice for #3 Spud Assembly Drill 104P, #29 (.136") NAT 3.5 WC	151
	R3057A	Orifice for #3 Spud Assembly, Drill #36 (.1065") NAT 3.5 WC	101, 104
	R3117A	Orifice for #3 Spud Assembly, Drill #25 (.1495") NAT 3.5 WC	204P, 251



ITEM NO.	PART NO.	DESCRIPTION	MODEL USED ON	ITEM NO.	PART NO.	DESCRIPTION	MODEL USED ON
46	R3054A	Orifice for #3 Spud Assembly Drill #30 (.1285") NAT 3.5 WC	201, 204	50A	R3115Y	Flue Diverter Collection Hood	All
	R3118A	Orifice for #3 Spud Assembly Drill #21 (.1590") NAT 3.5 WC	304P, 351	51	A1018W	Control Panel SS for 8" Ovens	151-451, 101-401
	R3120A	Orifice for #4 Spud Assembly Drill #17 (.1730") NAT 3.5 WC	401P, 451		A1019W	Control Panel SS for 12" Ovens	104-404
	R3121A	Orifice for #4 Spud Assembly Drill #25 (.1495") NAT 3.5 WC	401, 404		K1116W	Left Side Access Cover Painted Gray	All
	R3056A	Orifice for #3 Spud Assembly Drill #32 (.1160") NAT 5" WC	151, 104P		K1260K	Left Side Access Cover Stainless Steel	Optional
	R3061A	Orifice for #3 Spud Assembly Drill #53 (.0595") LP 10" WC	151, 104P	53	A1010K	Right Front SSI Column for 8" Ovens	151-451
	R3011A	Orifice for #3 Spud Assembly Drill #42 (.0935") NAT 5" WC	101, 104		A1011K	Right Front SS Column for 12" Ovens	104-404
	R3062A	Orifice for #3 Spud Assembly Drill #55 (.0520") LP 10" WC	101, 104	54	A1014K	Top Trim SS	100s & 200s
	R3054A	Orifice for #3 Spud Assembly Drill #30 (.1285") NAT 5" WC	251, 204P		A1013K	Top Trim SS	300s
	R3058A	Orifice for #3 Spud Assembly Drill #44 (.0860") LP 10" WC	251, 204P		A1012K	Top Trim SS	400s
	R3057A	Orifice for #3 Spud Assembly Drill #36 (.1075") NAT 5" WC	201, 204	55	A1017K	Bottom Apron SS	100s & 200s
	R3061A	Orifice for #3 Spud Assembly Drill #53 (.0595") LP 10" WC	291, 204		A1016K	Bottom Apron SS	300s
	R3009A	Orifice for #3 Spud Assembly Drill #28 (.1405") NAT 5" WC	351, 304P		A1015K	Bottom Apron SS	400s
	R3010A	Orifice for #3 Spud Assembly Drill #39 (.0995") LP 10" WC	351, 304P	56	S1003Y	Legs 16", Set of 4 With Mounting Hardware	
	R3005A	Orifice for #3 Spud Assembly Drill #31 (.1200") NAT 5" WC	301, 304		S1004Y	Legs 30", Set of 4 With Mounting Hardware	
	R3059A	Orifice for #3 Spud Assembly Drill #50 (.0700") LP 10" WC	301, 304		M1002X	7-Day Timer for Auto Oven Starter	Optional
	R3008X	Orifice for #3 Spud Assembly Specify Drill Size	100s-300s Special		M1001A	Solenoid Valve for Oven Starter	Optional
	R3017A	Orifice for #4 Spud Assembly Drill #23 (.1540") NAT 5" WC	451, 404P		M1016A	Solenoid Valve Coil Only 115V for Auto Oven Starter	Optional
	R3018A	Orifice for #4 Spud Assembly Drill #37 (.1040") LP 10" WC	451, 404P		M1026X	On/Off Toggle Light Switch	Optional
	R3064A	Orifice for #4 Spud Assembly Drill #30 (.1285") NAT 5" WC	401, 404		P1040A	Light Bulb, 115V, 100 Watt	Optional
	R3066A	Orifice for #4 Spud Assembly Drill #44 (.0860") LP 10" WC	401, 404		P1021A	Light Bulb, 250V, 100 Watt	Optional
	R3016X	Orifice for #4 Spud Assembly Specify Drill Size	400s Special		S1006A	Door Window Glass, Each	Optional
50	R3002Y	Flue Diverter Direct Vent	All		S6035A	Door Window Gasket, 6 Foot Length	Optional
				58	U1039A	"Push-Pull" Plate Pizza Ovens	151-451, 104P-404P
					U1040A	"Push-Pull" Plate Bake/Roast Ovens	101-401, 104-404
				59	U1041A	Minimum Clearance Plate	All
				60	U1038A	"B" Vent Plate	All
				61	U1043A	BP Name Plate	All
				62	U1221A	Lighting Instruction Plate	All
					U4007A	Installation & Operating Instructions	All
					U4004A	Trouble Shooting Guide	All