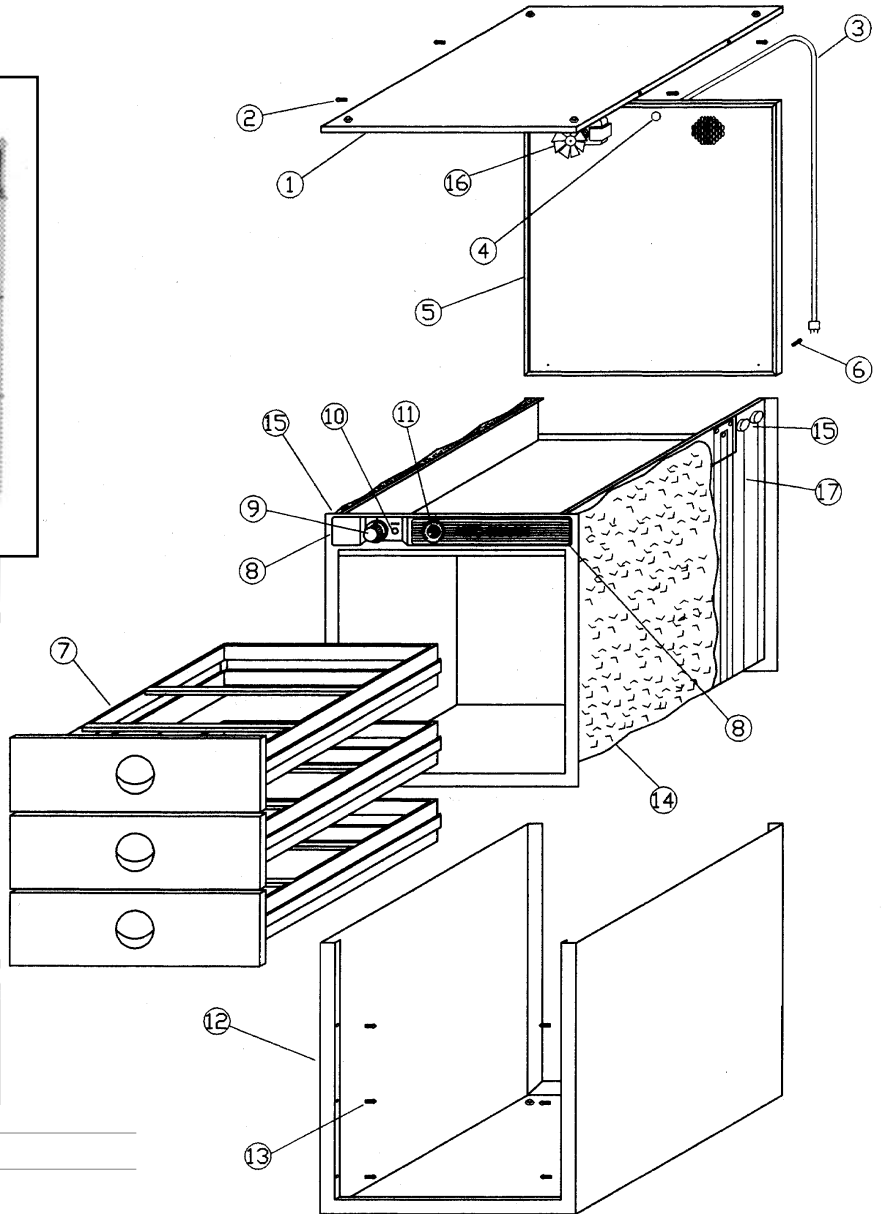


# Models 500-2D and 500-3D



➤ NOTE: 500 - 3D 3 drawer model shown

## Model 500-2D

ITEM NO.	PART NO.	DESCRIPTION
1	11369	Top
2	SC-2459	Top Mounting Screws (4 qty.)
3	CD-3232	Power Cord (125V)
	CD-3984	Cord Set: 230V Intl (Type H07 RN-F)
	CD-3858	Cord Set: 208-240V

ITEM NO.	PART NO.	DESCRIPTION
4	BU-3011	Power Cord Strain Relief Bushing (125V)
	IT-3857	Inlet (208-240V)
	IT-33173	Inlet (230V)
5	11384	Casing Back
6	SC-2459	Casing Back Mounting Screws (2 qty.)
7	5303	Drawer Assembly (2 qty.)
		Each Assembly Includes:



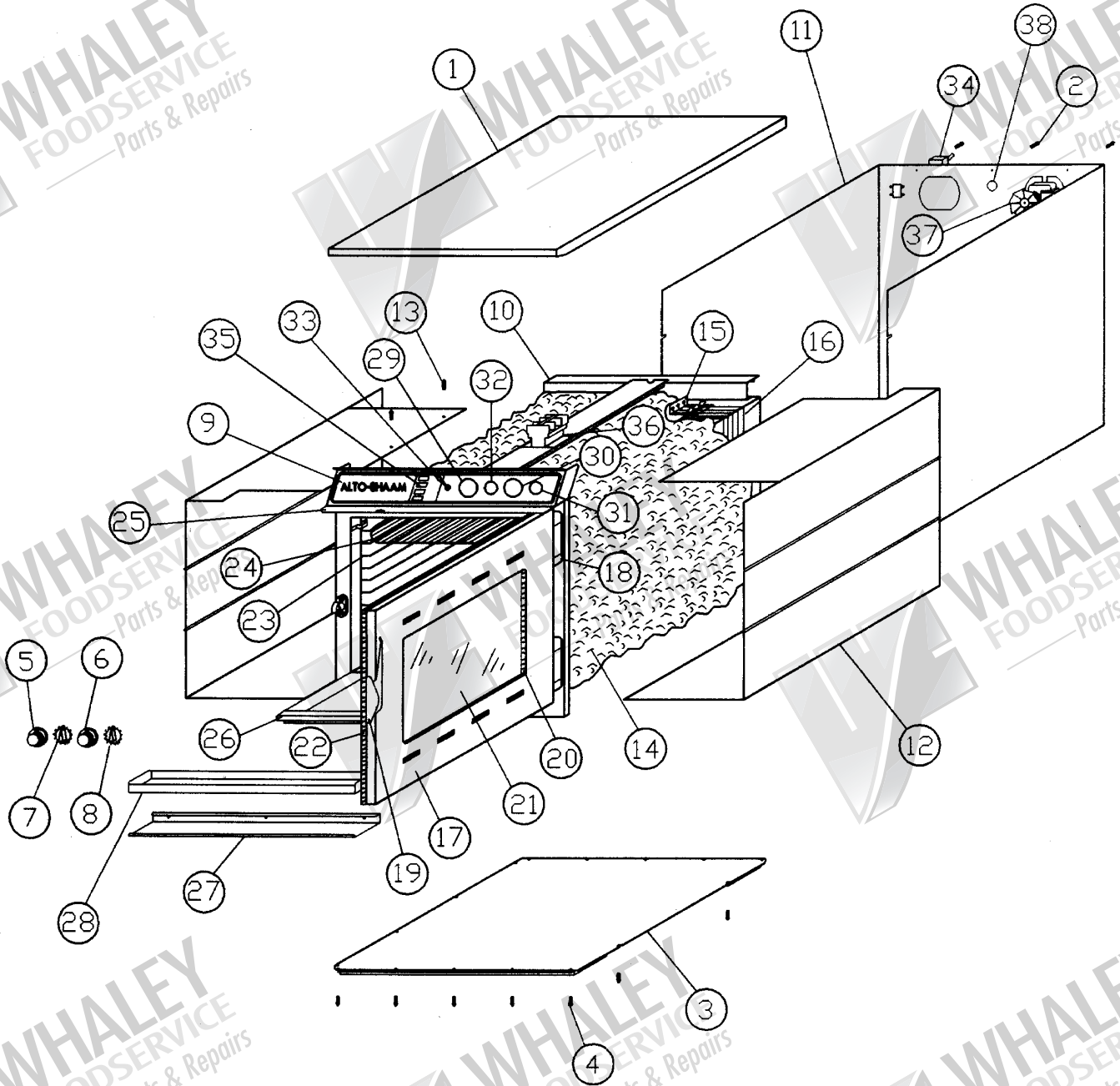
ITEM NO.	PART NO.	DESCRIPTION
	PL-2005	Drawer Pull
	11371	Drawer Front —Out
	4334	Drawer Front — In
		Insulation:
	IN-2003	6-3/4" x 23-3/4"
	RI-2097	Drawer Front Mounting Rivets (8 qty.)
	11398	Pan Spacers (2 qty.)
	SC-2459	Pan Spacer Mounting Screws (4 qty.)
	BG-2410	Drawer Bearings (4 qty.)
8	5744	Decor Panel (125V) 500-2D
	PE-2709	Decor Panel (125V) D2-50
	5743	Decor Panel (208-240V) 500-2D
	PE-2711	Decor Panel (208-240V) D2-50
9	SW-3409	Wattage Switch (125V only)
10	TT-3057	Thermostat
11	LI-3027	Pilot Light (125V)
	LI-3951	Pilot Light (230V)
12	GU-3273	Temperature Gauge
13	4341	Casing Assembly
14	IN-2381	Insulation: 22" x 57"
15		Cable Connection Hardware:
	BU-3105	Shoulder Bushing (4 qty.)
	BU-3106	Cup Bushing (4 qty.)
	NU-2215	Hex Nut (24 qty.)
	CR-3226	Ring Connector (4 qty.)
	ST-2439	Stud (4 qty.)
16	FA-3485	Fan (125V)
	FA-3342	Fan (208V)
	FA-3343	Fan Blade
17	CB-3044	Heating Cable: Length 108'
	5331	Cabinet Drawer Rail Assembly (2 qty.)
	ST-2547	Cabinet Drawer Rail Assembly Mounting Stud (8 qty.)
	NU-2437	Cabinet Drawer Rail Assembly Mounting Nut (8 qty.)
	BG-2410	Cabinet Drawer Bearings (4 qty.)
	PN-2123	Drawer Pan (2 qty.)

### Model 500-3D and D3-50

ITEM NO.	PART NO.	DESCRIPTION
1	11369	Top
2	SC-2459	Top Mounting Screws (4 qty.)
3	CD-3232	Power Cord (125V)

ITEM NO.	PART NO.	DESCRIPTION
	CD-3984	Cord Set: 230V Intl (Type HO7 RN-F)
	CD-3858	Cord Set: 208-240V
4	BU-3011	Power Cord Strain Relief Bushing (125V)
	IT-3857	Inlet (208-240V)
	IT-33173	Inlet (230V)
5	11388	Casing Back
6	SC-2459	Casing Back Mounting Screws (2 qty.)
7	5303	Drawer Assembly (3 qty.)
		Each Assembly Includes:
	PL-2005	Drawer Pull
	11371	Drawer Front —Out
	4334	Drawer Front — In
		Insulation:
	IN-2003	6-3/4" x 23-3/4"
	RI-2097	Drawer Front Mounting Rivets (8 qty.)
	11398	Pan Spacers (2 qty.)
	SC-2459	Pan Spacer Mounting Screws (4 qty.)
	BG-2410	Drawer Bearings (4 qty.)
8	5744	Decor Panel (125V) 500-3D
	PE-2709	Decor Panel (125V) D3-50
	5743	Decor Panel (208-240V) 500-3D
	PE-2711	Decor Panel (208-240V) D3-50
9	TT-3057	Thermostat
10	LI-3027	Pilot Light (125V)
	LI-3951	Pilot Light (230V)
11	GU-3273	Temperature Gauge
12	4343	Casing Assembly
13	SC-2425	Casing Assembly Mounting Screws (6 qty.)
14	IN-2381	Insulation: 22" x 72"
15		Cable Connection Hardware:
	BU-3105	Shoulder Bushing (4 qty.)
	BU-3106	Cup Bushing (4 qty.)
	NU-2215	Hex Nut (24 qty.)
	CR-3226	Ring Connector (4 qty.)
	ST-2439	Stud (4 qty.)
16	FA-3485	Fan (125V)
	FA-3342	Fan (208V)
	FA-3343	Fan Blade
17	CB-3044	Heating Cable: Length 102'
	5331	Cabinet Drawer Rail Assembly (3 qty.)
	ST-2547	Cabinet Drawer Rail Assembly Mounting Stud (12 qty.)
	NU-2437	Cabinet Drawer Rail Assembly Mounting Nut (12 qty.)
	BG-2410	Cabinet Drawer Bearings (6 qty.)
	PN-2123	Drawer Pan (3 qty.)

# Models 767-SK and CHS-76



ITEM NO.	PART NO.	DESCRIPTION
1	4552	Top Assembly
	SC-2459	Top Assembly Mounting Screws (3 qty.)
2	SC-2425	Tube Rear Mounting Screws (3 qty.)
3	4559	Bottom Assembly
4	SC-2459	Bottom & Drip Tray Holder Mounting Screws (16 qty.)
	SC-2425	Capillary Guard Mounting Screws (2 qty.)
	GD-2450	Capillary Guard (2 qty.)
	SC-2077	Capillary Bulb Mounting Screws (4 qty.)
	BK-2609	Capillary Bulb Hold-down (4 qty.)
		Thermostat Capillary Bulb (2 qty.)
	CB-3537	Smoke Heater: 125V, 60Hz
	CB-3538	Smoke Heater: 200–240V, 50/60 Hz
	HD-2724	Chip Tray Handle
	4652	Chip Tray
	1243	Chip Tray Insert
5	KN-3469	Hold Thermostat Knob (Fahrenheit)
6	KN-3468	Cook Thermostat Knob (Fahrenheit)
7	KN-3765	Timer Knob, Cook
8	KN-3765	Smoke Timer Knob
9	PE-2719	Control Panel Overlay (767-SK)
	PE-2720	Control Panel Overlay (CHS-76)
10		Tube Assembly
11	1784	Casing
12	1020	Insulation Tube, Left-Hand
	4551	Insulation Tube, Right-Hand
13	SC-2459	Insulation Tube Mounting Screws (6 qty.)
14	IN-2381	Insulation: Piece Size: 25" x 120"
15		Cable Connection Hardware:
	BU-3105	Shoulder Bushing (6 qty.)
	BU-3106	Cup Bushing (6 qty.)
	NU-2215	Hex Nut (36 qty.)
	CR-3226	Ring Connector (6 qty.)
	ST-2439	Stud (6 qty.)
16		Heating Cable:
	4879	125V–60Hz: Length 94'
	4881	Length 200' 208/240
17	5452	Door Assembly, Right-Hand
	5471	Door Assembly, Left-Hand
18	HG-2014	Hinge Set (1 pair of 2 hinges)

ITEM NO.	PART NO.	DESCRIPTION
	SC-2072	Hinge to Door Mounting Screws (6 qty.)
	SC-2073	Hinge to Unit Mounting Screws (6 qty.)
19	HD-2007	Door Handle
	SC-2073	Door Handle Mounting Screws (3 qty.)
	SC-2071	Door Catch Mounting Screws (3 qty.)
20	GS-2721	Window Gasket: Length 4.9'
21	GL-2726	Window
22	GS-2398	Door Gasket: Length 8'
23	SR-2303	Side Rack (2 qty.)
24	SH-2324	Shelf, Flat Wire (2 qty.)
	SH-2743	Shelf, Rib Rack
25	1044	Smoke Shield
	SC-2425	Smoke Shield Mounting Screws (2 qty.)
26	1062	Drip Pan
27	11259	Drip Tray Holder
28	11258	Drip Tray
29	TT-3057	Hold Thermostat
30	TT-3329	Cook Thermostat
31	TR-3535	Smoke Timer, 125V — 60 Hz
	TR-3536	Smoke Timer, 200–240V — 50/60 Hz
32		Cook Timer
	TR-3402	125V, 60 Hz
	TR-3318	200–240V, 60 Hz
	TR-3402	200–220V, 50 Hz
33	SW-3528	Power Switch
34	SW-3528	Voltage Conversion Switch
35		Pilot Light
	LI-3493	125V, 60 Hz (4 qty.)
	LI-3516	200–240V, 50/60 Hz (4 qty.)
36		Contactors
	CN-3487	125V, 60 Hz
	CN-3052	200–240V, 50/60 Hz
37		Fan
	FA-3485	125V, 60 Hz
	FA-3342	200–240V, 50/60 Hz
	FA-3343	Fan Blade
38		Cord
	CD-3397	125V, 60 Hz
	CD-3508	220V, 50 Hz: Length 9.7' 208/240V, 60 Hz — No Cord Furnished

## Options and Accessories

PART NO.	DESCRIPTION
5221	Bumper Guards
<b>Carving Holders</b>	
HL-2635	—Prime Rib Holder
4459	—Ship Round Holder
4007	Casters, 5"
5205	Legs, 6"
TH-3300	Pocket Thermometer °F
TH-3412	Pocket Thermometer °C
<b>Security Panel Control Cover</b>	
4691	—With Key

PART NO.	DESCRIPTION
<b>Shelves</b>	
SH-2324	—S/S Flat Wire
SH-2743	—S/S Rib Rack
4011	Stacking Hardware
11625	Product Support Grid
<b>Wood Chips (20 lb bulk pack)</b>	
WC-2829	—Hickory
WC-22543	—Apple
WC-22541	—Cherry
WC-22545	—Maple

### WWW.WHALEYFOODSERVICE.COM

At our website you can:

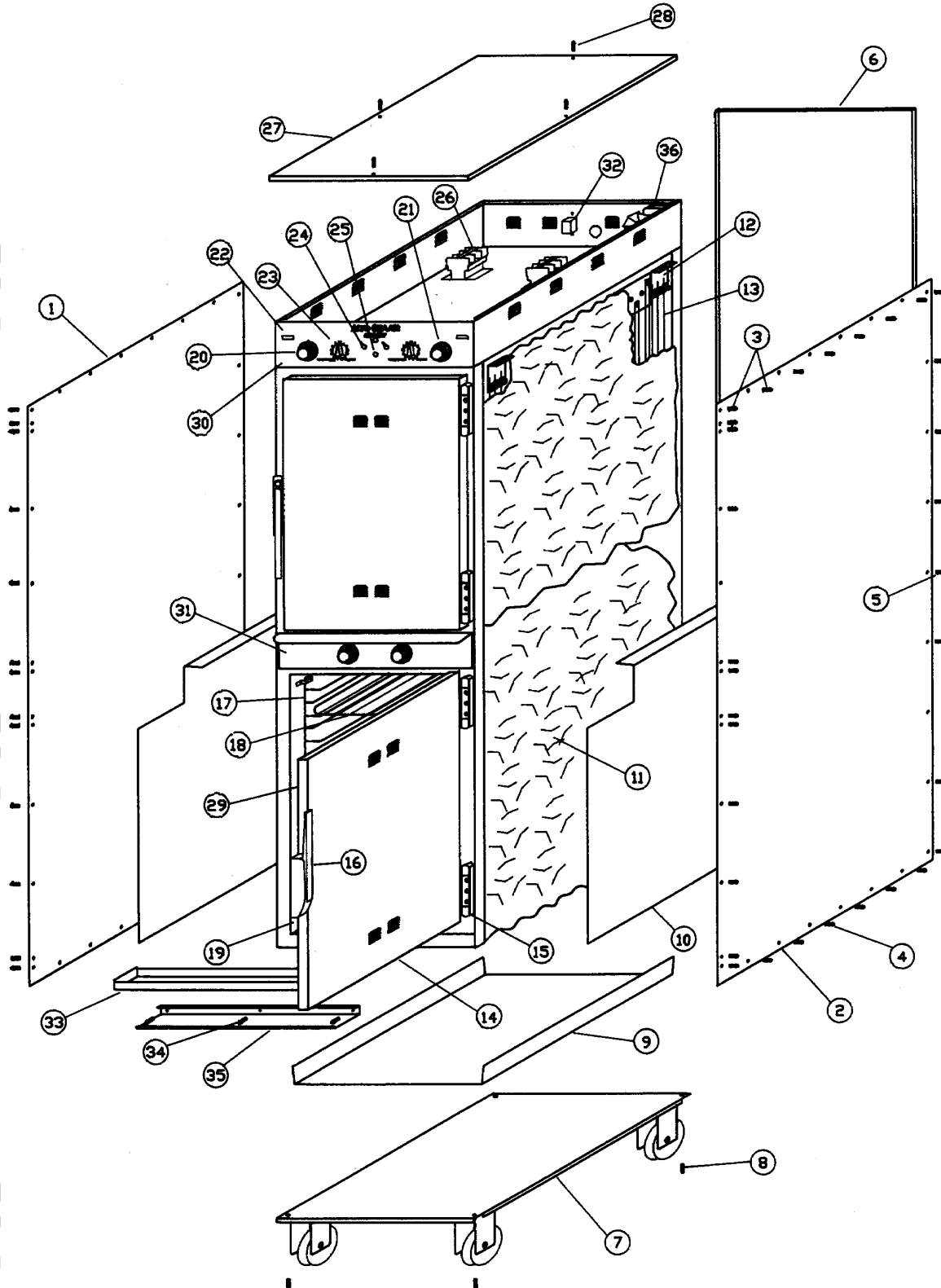
- place a parts order
- view or print an instruction manual
- retrieve a parts list
- determine daily maintenance schedules
- look-up parts by manufacturer, equipment model, or part number
- record your own specific equipment and model numbers

1000-TH-I/HD, 1000-TH-I/HD/D,  
1000-TH-I/STD, 1000-TH-I/STD/D  
CH-100-2H, CH-100-2S

# 1000 Series

ALTO-SHAMM

1000 Series



(Illustration on page 31.)

ITEM NO.	PART NO.	DESCRIPTION	ITEM NO.	PART NO.	DESCRIPTION
				5204	Right-Hand, Solid (2 qty.)
1	1468	Casing Side, Left-Hand (Standard Construction)		15557	Left-Hand, Solid (2 qty.)
	1470	Casing Side, Left-Hand (Heavy-Duty Construction)		5527	Right-Hand, Window (2 qty.)
2	11075	Casing Side, Right-Hand (Standard Construction)		5961	Left-Hand, Window (2 qty.)
	11076	Casing Side, Right-Hand (Heavy-Duty Construction)		PR-3561	Meat Probe (TH/I/MP) (2 qty.)
3	SC-2425	Casing Side Mounting Screws (19 qty.)	15	HG-2014	Hinge Set (1 Pair of 2 Hinges) (2 qty.)
4	SC-2459	Casing Bottom Mounting Screws (6 qty.)		SC-2072	Hinge Mounting Screws (24 qty.)
5	SC-2425	Casing Back Mounting Screws (9 qty.)	16	HD-2566	Door Handle (2 qty.)
6	1997	Casing Back (Standard Construction)		SC-2073	Door Handle Mounting Screws (8 qty.)
	1998	Casing Back (Heavy-Duty Construction)		SC-2071	Door Catch Mounting Screws (4 qty.)
7	4236	Bottom Assembly	17	SR-2266	Side Rack (4 qty.)
	SC-2025	Casters, Rigid (2 qty.)	18	SH-2325	Shelf (6 qty.)
	SC-2026	Casters, Swivel With Brake (2 qty.)	19	1174	Drip Pan (2 qty.)
	4994	Bumper Guard (Heavy Duty Only)		4932	Drip Pan With Drain (OCB Only) (2 qty.)
	5221	Bumper Guard (OCB style)		PP-22740	Drain Cap (OCB Only) (2 qty.)
	SC-2351	Caster Mounting Screws (16 qty.)	20	TT-3057	Hold Thermostat (2 qty.)
8	SC-2332	Bottom Assembly Mounting Screws (4 qty.)		KN-3469	Hold Knob (2 qty.)
9	4235	Insulation Bottom Assembly	21	TT-3329	Cook Thermostat (2 qty.)
10	1483	Insulation Sides (2 qty.)		KN-3468	Cook Knob (2 qty.)
11	IN-2381	Insulation: Size 25" x 120"	22	LI-3024	Cable Pilot Light (2 qty.)
12	4881	Heating Cable Kit (208V) (2 qty.) Each Kit Includes:	23	TR-3318	Timer (208/240V — 60 Hz) (2 qty.)
	CB-3045	Heating Cable — Length: 200'		TR-3402	Timer (220V — 50 Hz) (2 qty.)
	BU-3105	Shoulder Bushing (6 qty.)		KN-3765	Timer Knob (2 qty.)
	BU-3106	Cup Bushing (6 qty.)	24	SW-3528	Power On Switch (2 qty.)
	CR-3226	Ring Connector (6 qty.)	25	LI-3025	Power On Pilot Light (2 qty.)
	SL-3063	Cable Sleeve (6 qty.)	26	CN-3052	Contactator (2 qty.)
	IN-3488	Corner Insulation — Length: 8'	27	1489	Control Top
	TA-3540	Hold Down Tape (Roll)	28	SC-2425	Control Top Mounting Screws (4 qty.)
13	4880	Heating Cable Kit (240V) (2 qty.) Each Kit Includes:	29	GS-2398	Door Gasket: Length 8' (2438-mm) Per Door (2 qty.)
	CB-3045	Heating Cable — Length: 134'	30	PE-2689	Upper Control Panel (1000-TH-I)
	BU-3105	Shoulder Bushing (4 qty.)		PE-2690	Upper Control Panel (CH-100-2)
	BU-3106	Cup Bushing (4 qty.)	31	PE-2691	Lower Control Panel (1000-TH-I)
	CR-3226	Ring Connector (4 qty.)		PE-2692	Lower Control Panel (CH-100-2)
	SL-3063	Cable Sleeve (4 qty.)	32	SW-3528	Voltage Conversion Switch
	IN-3488	Corner Insulation — Length: 8'	33	1113	Drip Tray
	TA-3540	Hold Down Tape (Roll)	34	SC-2425	Drip Tray Holder Mounting Screws (3 qty.)
14		Door Assembly	35	1114	Drip Tray Holder
			36	FA-3342	Fan
				FA-3343	Fan Blade